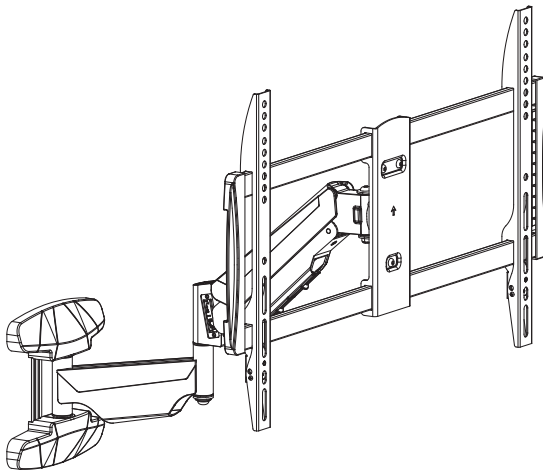




Pneumatic Spring Mantle / Wall TV Mount

Instruction Manual



SKU: MOUNT-MM01B



Scan the QR code with your mobile device or follow the link for helpful videos and specifications related to this product.

<https://vivo-us.com/products/mount-mm01b>

GET IN TOUCH | Monday-Friday from 7:00am-7:00pm CST



help@vivo-us.com



www.vivo-us.com
Chat live with an agent!



309-278-5303

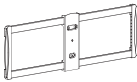
⚠️ WARNING!

If you do not understand these directions, or if you have any doubts about the safety of the installation, please call a qualified technician. Check carefully to make sure there are no missing or defective parts. Improper installation may cause damage or serious injury. Do not use this product for any purpose that is not explicitly specified in this manual. Do not exceed weight capacity. We cannot be liable for damage or injury caused by improper mounting, incorrect assembly or inappropriate use.

PACKAGE CONTENTS



A (x1)
Arm



B (x1)
TV Plate



C (x2)
Plastic Cover



D (x2)
VESA Bracket



S-A (x3)
M6 Nut



M-A (x4)
M6x14mm Screw



M-B (x4)
M8x15mm Screw



M-C (x4)
M6x30mm Screw



M-D (x4)
M8x35mm Screw



M-E (x4)
M8 Washer



M-F (x4)
Small Spacer



M-G (x4)
Large Spacer



W-A (x5)
ST8x90mm Screw



W-B (x5)
Concrete Anchor



W-C (x4)
M8 Washer



T-A (x1)
4mm Allen Wrench



T-B (x1)
6mm Allen Wrench



T-C (x1)
Wrench

TOOLS NEEDED

NOTE: NOT ALL HARDWARE INCLUDED WILL BE USED



Drill



**Phillips
Screwdriver**



Pencil



Level

⚠️ CAUTION!

DO NOT INSTALL INTO DRYWALL ALONE. VERIFY YOUR WALL CONSTRUCTION. USE WOOD STUDS TO MOUNT. We include mounting for brick and concrete walls. If unsure, please contact us at vivo-us.com, email at help@vivo-us.com, or call us at 309-278-9303.

DO NOT EXCEED WEIGHT CAPACITY.

Failure to do so may result in serious injury.



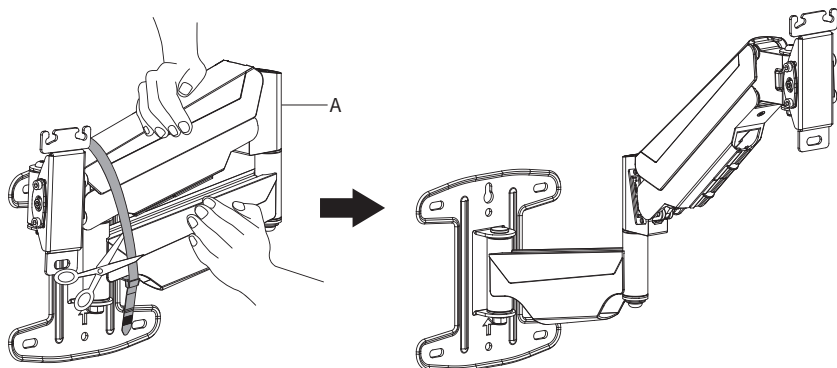
⚠️ WARNING: CHOKING HAZARD

SMALL PARTS - NOT FOR CHILDREN UNDER 3 YEARS. ADULT SUPERVISION IS REQUIRED.

ASSEMBLY STEPS

STEP 1

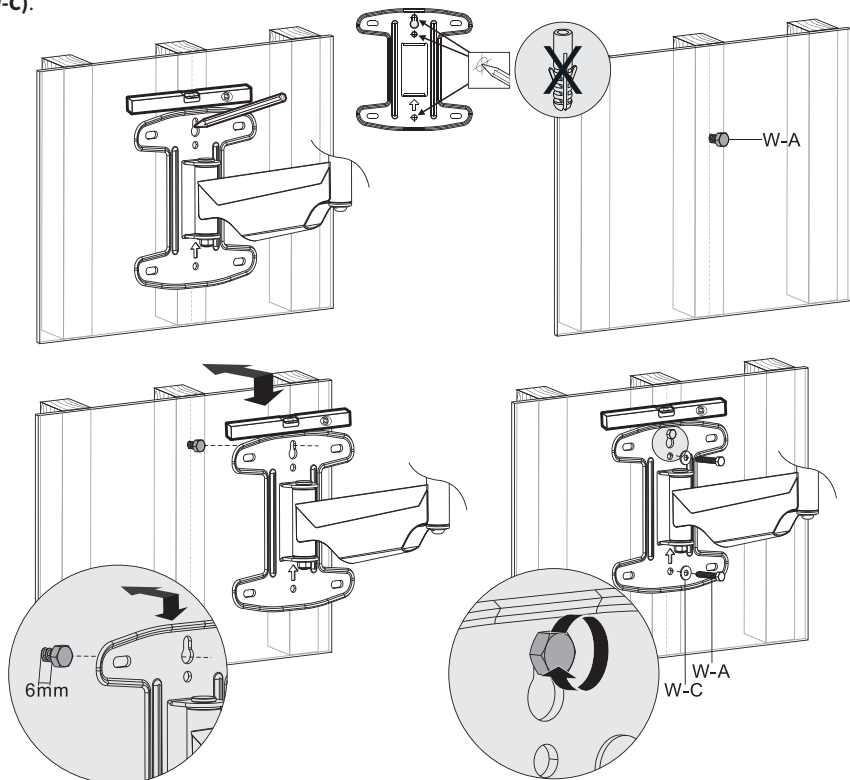
While holding Arm (A) closed, cut the zip tie and gently release Arm (A).



STEP 2 (Option A)

Wood Wall Installation

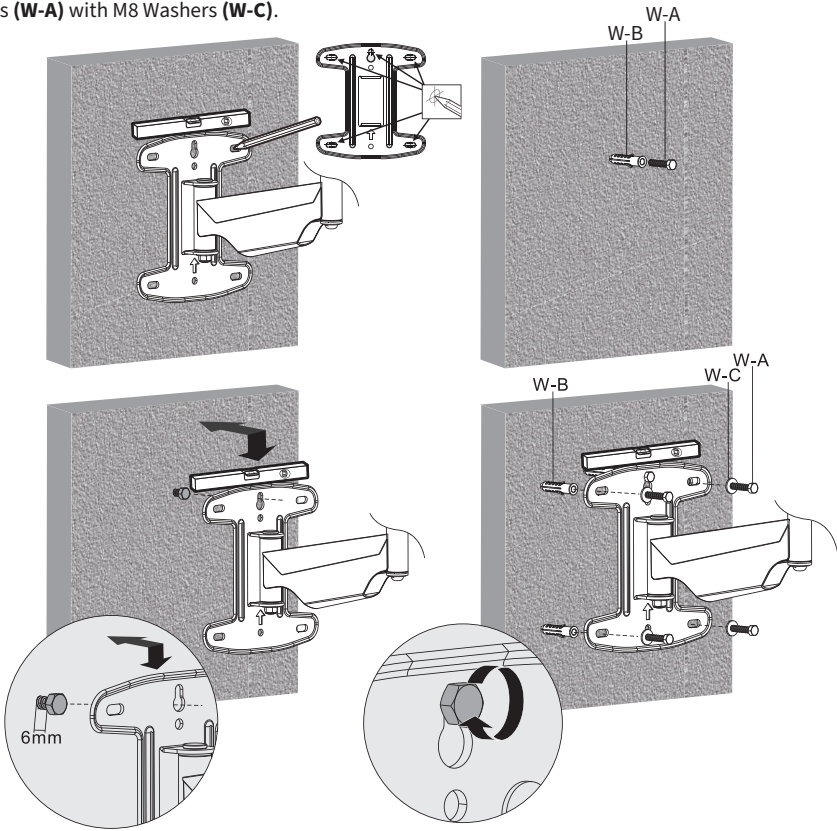
Use Arm (A) to mark mounting holes on wall where stud is located. Use of a stud finder and level is highly recommended. Using a 15/64" (6mm) drill bit, drill holes at least 3.54" (90mm) deep into marked locations. Insert ST8x90mm Screw (W-A) into the top hole, leaving 6mm of thread exposed. Hang the top hole in Arm (A) over the screw, and secure using two more ST8x90mm Screws (W-A) with M8 Washers (W-C).



STEP 2 (Option B)

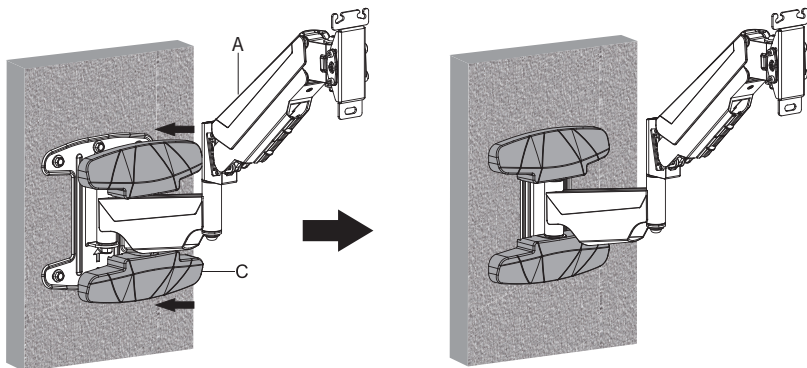
Concrete/Brick Wall Installation

Use Arm (A) to mark mounting holes on wall. Use of a stud finder and level is highly recommended. Using a 1/2" (12mm) drill bit, drill holes at least 3.74" (95mm) deep into marked locations. Press Concrete Anchors (W-B) into holes, then insert ST8x90mm Screws (W-A) into the top hole, leaving 6mm of thread exposed. Hang top hole in Arm (A) over the screw, and secure using four more ST8x90mm Screws (W-A) with M8 Washers (W-C).



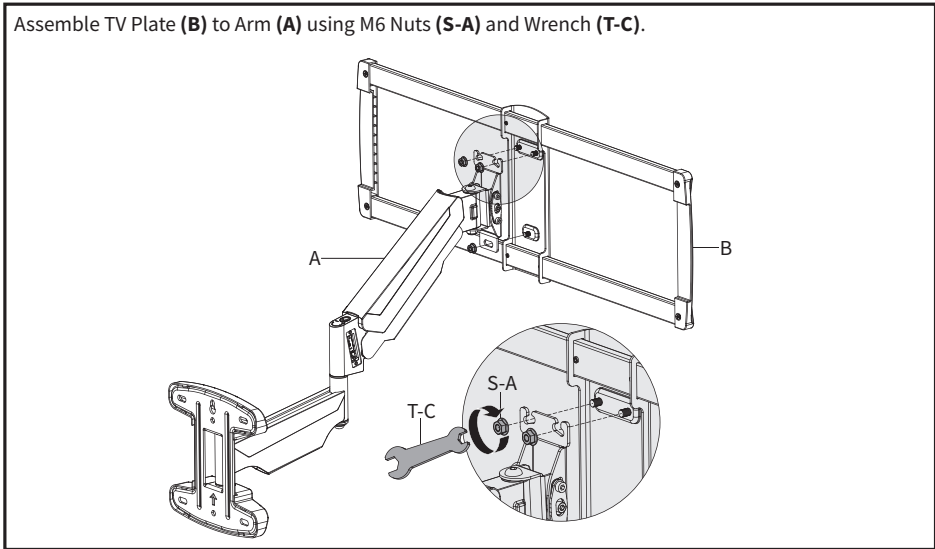
STEP 3

Attach Plastic Covers (C) to Arm (A).



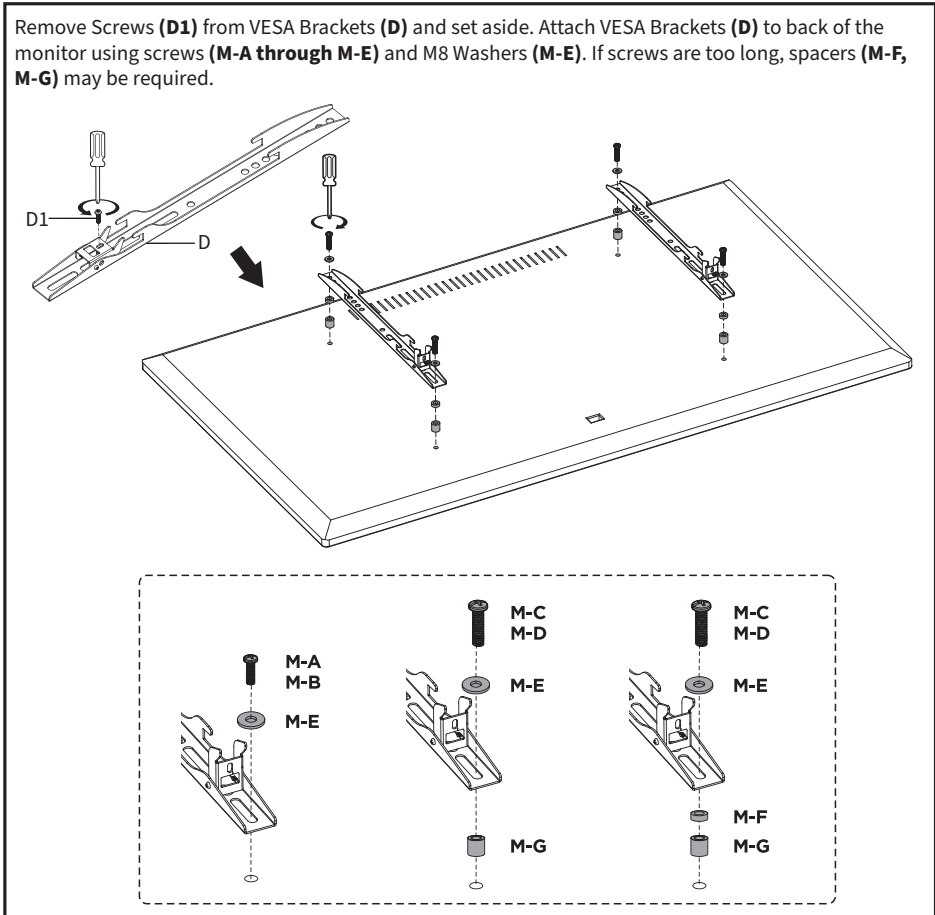
STEP 4

Assemble TV Plate (B) to Arm (A) using M6 Nuts (S-A) and Wrench (T-C).



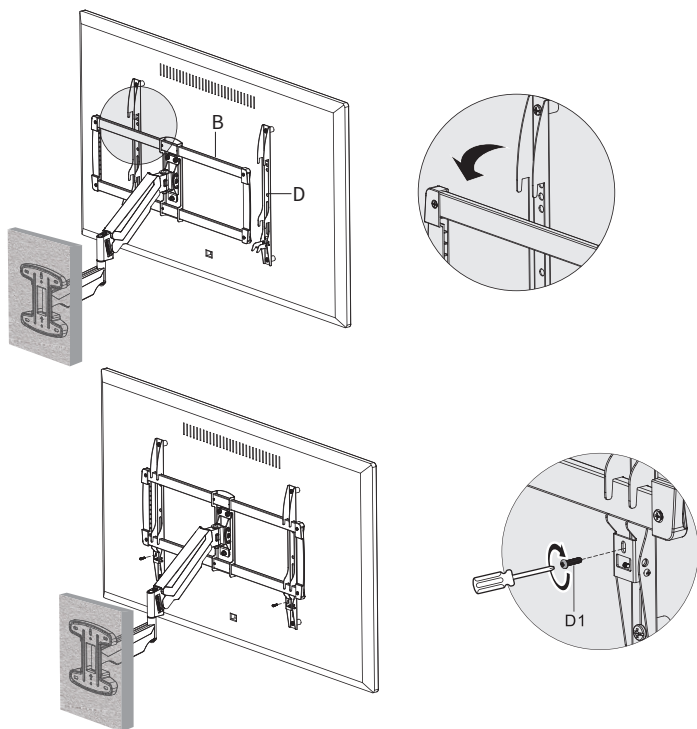
STEP 5

Remove Screws (D1) from VESA Brackets (D) and set aside. Attach VESA Brackets (D) to back of the monitor using screws (M-A through M-E) and M8 Washers (M-E). If screws are too long, spacers (M-F, M-G) may be required.



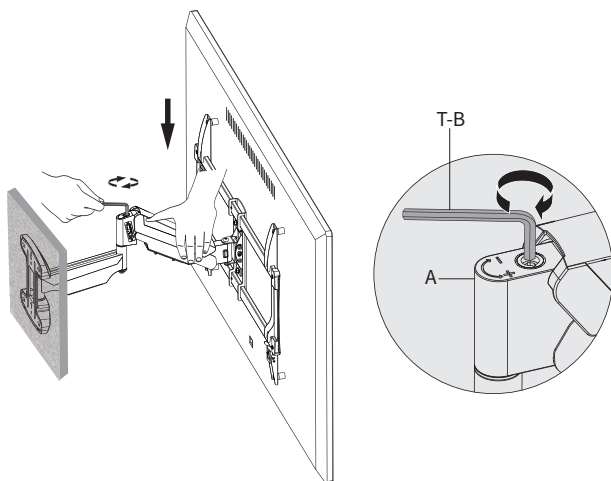
STEP 6

Hang VESA Brackets (**D**) over TV Plate (**B**) and secure using Screws (**D1**).



STEP 7

Adjust the tension of Arm (**A**) using 6mm Allen Wrench (**T-B**). Turn 6mm Allen Wrench (**T-B**) clockwise to decrease tension, and counter clockwise to increase.

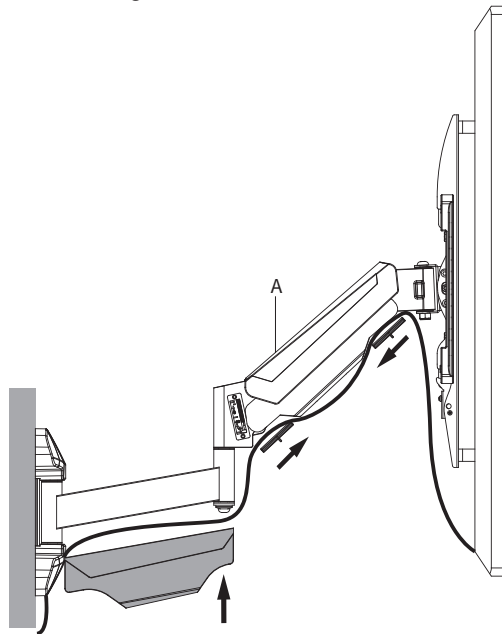


WARNING:
Monitor must be installed on mount before making tension adjustments to the gas spring arm.

Keep monitor in a straight orientation when making adjustments.

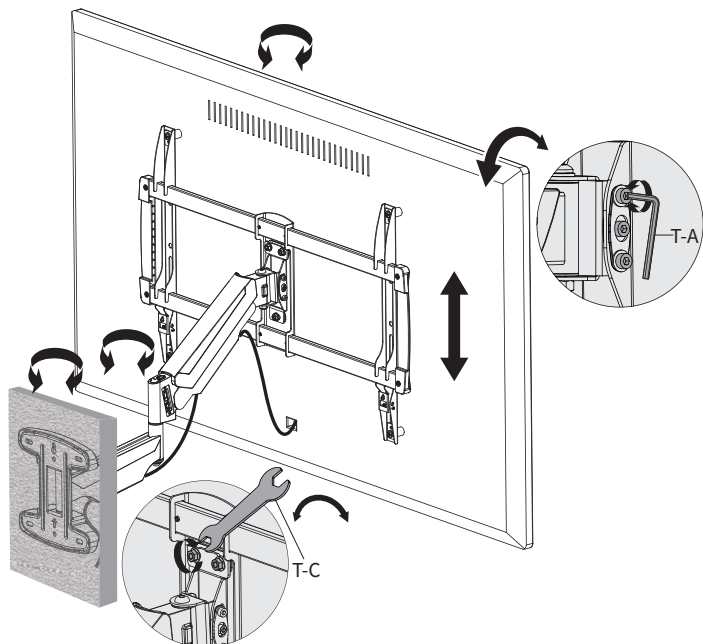
STEP 8

Remove bottom cover from Arm **(A)**. Organize cables and re-attach the cover.



STEP 9

Adjust the tilt using 4mm Allen Wrench **(T-A)** and the rotation using Wrench **(T-C)**.





Open **Monday - Friday 7:00am - 7:00pm** CST,
our dedicated support team can offer immediate assistance with rapid response times. If any parts are received damaged or defective, please contact us. We are happy to replace parts to ensure you have a fully functioning product.



309-278-5303

AVG. RESOLUTION TIME (*within office hrs*): **5M 4S**



www.vivo-us.com
Chat live with an agent!

AVG. RESOLUTION TIME (*within office hrs*): **< 15 M**



help@vivo-us.com

AVG. RESPONSE TIME (*within office hrs*): **1HR 8M**

- 23% within < 15m
- 38% within < 30m
- 61% within < 1hr
- 83% within < 2hr
- 92% within < 3hr