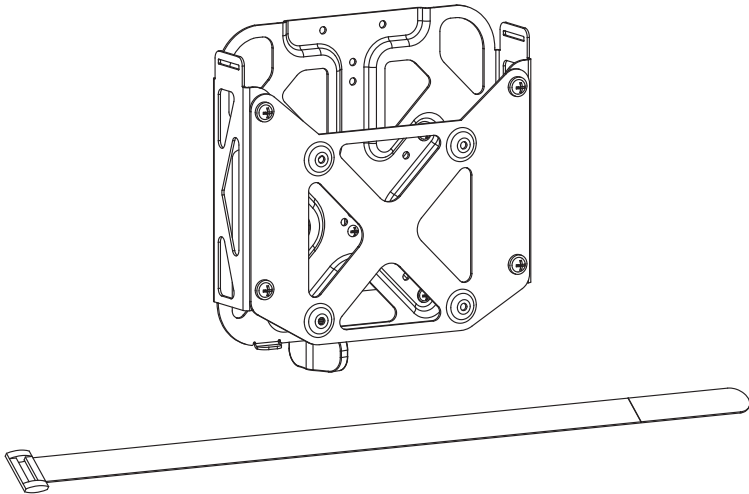




VESA Mount Designed for the Mac Mini Instruction Manual



SKU: MOUNT-MINI1



Scan the QR code with your mobile device or follow the link for helpful videos and specifications related to this product.

<https://vivo-us.com/products/mount-mini1>

GET IN TOUCH | Monday-Friday from 7:00am-7:00pm CST



help@vivo-us.com



www.vivo-us.com
Chat live with an agent!



309-278-5303

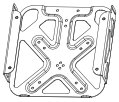
WARNING!

If you do not understand these directions, or if you have any doubts about the safety of the installation, please call a qualified technician. Check carefully to make sure there are no missing or defective parts. Improper installation may cause damage or serious injury. Do not use this product for any purpose that is not explicitly specified in this manual and do not exceed weight capacity. We cannot be liable for damage or injury caused by improper mounting, incorrect assembly, or inappropriate use.

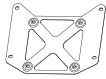
WARNING: CHOKING HAZARD

SMALL PARTS - NOT FOR CHILDREN UNDER 3 YEARS. ADULT SUPERVISION IS REQUIRED.

PACKAGE CONTENTS



A (x1)
Mounting Plate



B (x1)
Locking Plate



C (x1)
Clamp



D (x1)
Velcro Strap



S-A (x4)
M4x6mm
Screw



S-B (x8)
M4x12mm
Screw



S-C (x4)
M5x6mm
Screw



S-D (x4)
M4 Nut



S-E (x4)
M5 Washer

TOOLS NEEDED

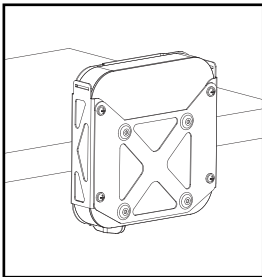


**Phillips
Screwdriver**

DO NOT EXCEED WEIGHT CAPACITY.
Failure to do so may result in serious injury.

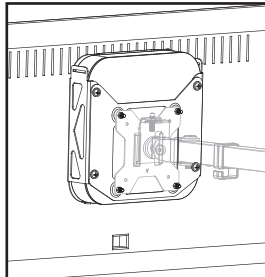
**4.4lbs
2kg**

ASSEMBLY OPTIONS:



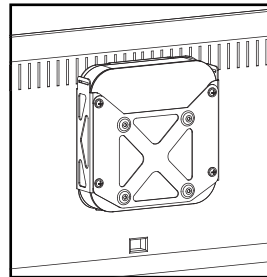
Desk Clamp
pg. 3-4

Allows the Mac Mini Mount to clamp to a desktop surface with a thickness of 10mm to 50mm.



**VESA Plate
Monitor Arm**
pg. 5-6

Mount installs between monitor and monitor mount arm.



**VESA Plate
Freestanding Monitor**
pg. 7

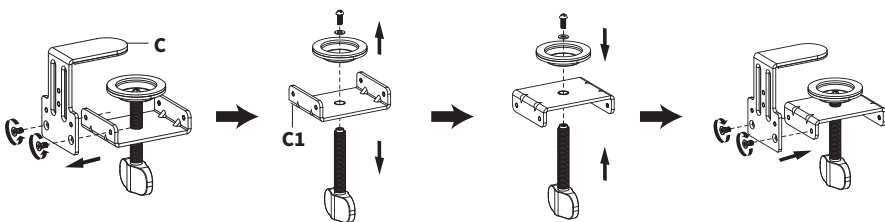
Utilizes VESA holes in freestanding monitor to hold Mac Mini Mount.

ASSEMBLY OPTION A: Desk Clamp

STEP 1

For Desktops with a 10mm to 40mm Thickness:

Disassemble Clamp (C) using a Phillips screwdriver. Turn Lower Clamp (C1) upside and reassemble Clamp (C) as shown below.

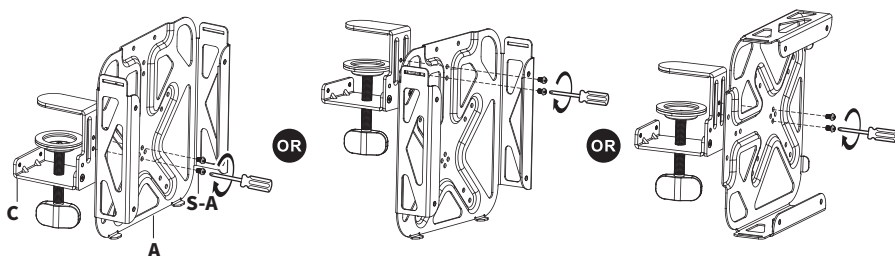


For Desktops with a 15mm to 50mm Thickness:

Proceed to Step 2.

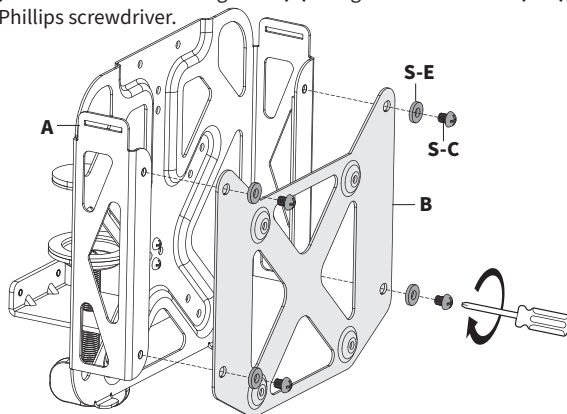
STEP 2

Connect Mounting Plate (A) to back side of Clamp (C) at desired height using M4x6mm Screws (S-A) and a Phillips screwdriver.



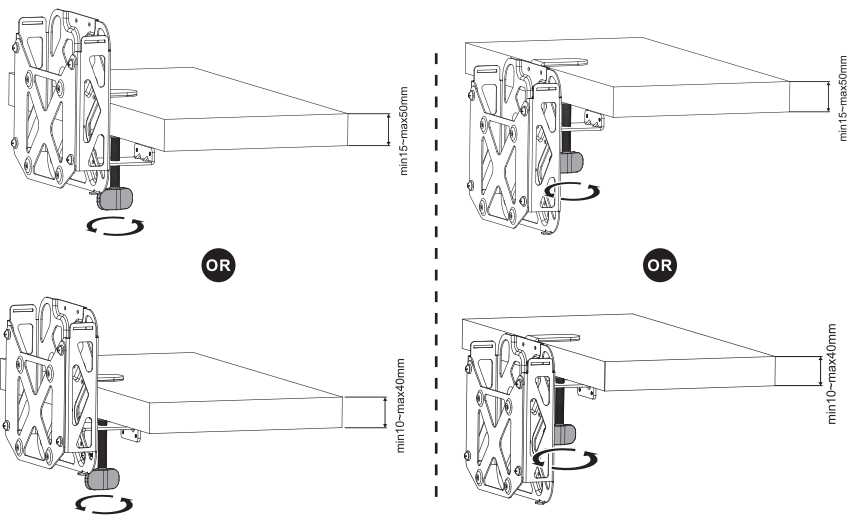
STEP 3

Secure Locking Plate (B) to back side of Mounting Plate (A) using M5x6mm Screws (S-C), M5 Washer (S-E), and a Phillips screwdriver.



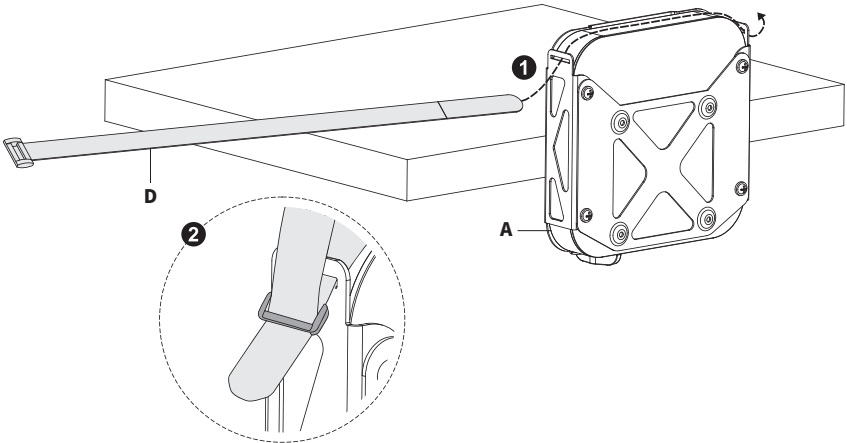
STEP 4

Place assembly onto desktop and tighten hand bolt to secure.



STEP 5

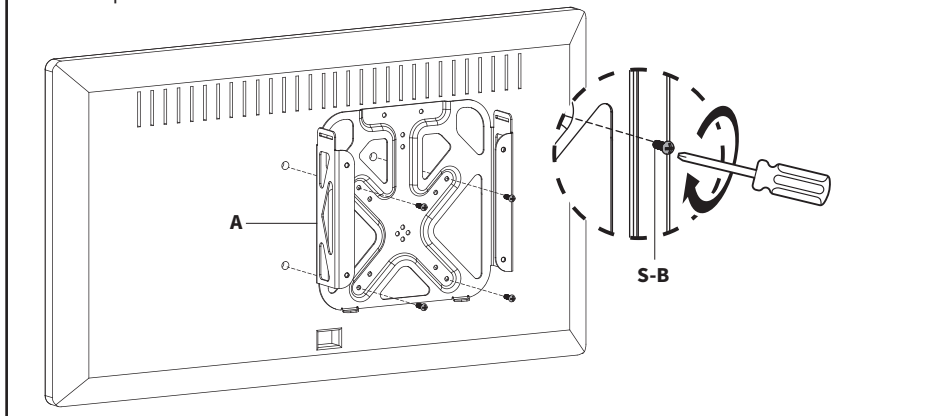
Place Mac Mini into assembly and feed Velcro Strap (D) through loops on Mounting Plate (A) to secure, as shown below.



ASSEMBLY OPTION B: VESA Plate - Monitor Arm

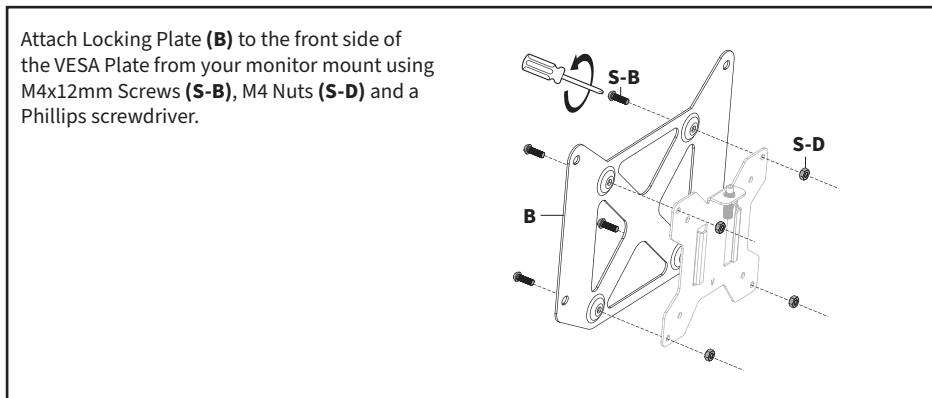
STEP 1

Secure Mounting Plate **(A)** to VESA holes on the back of the monitor using M4x12mm Screws **(S-B)** and a Phillips screwdriver.



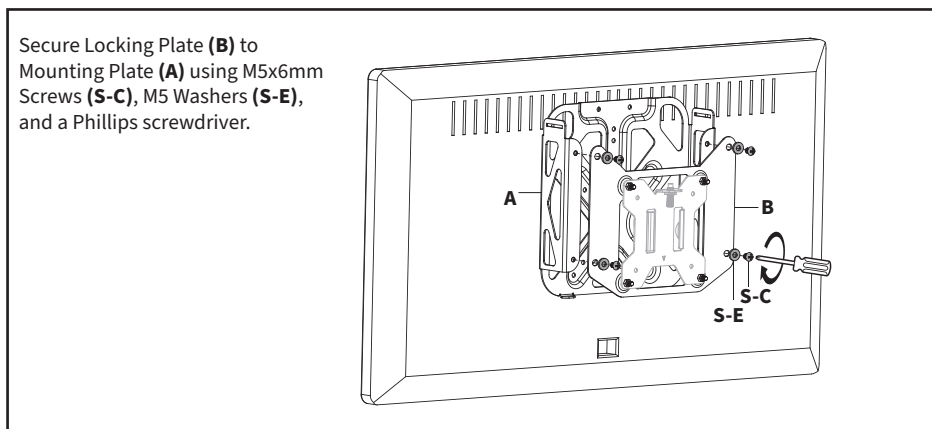
STEP 2

Attach Locking Plate **(B)** to the front side of the VESA Plate from your monitor mount using M4x12mm Screws **(S-B)**, M4 Nuts **(S-D)** and a Phillips screwdriver.



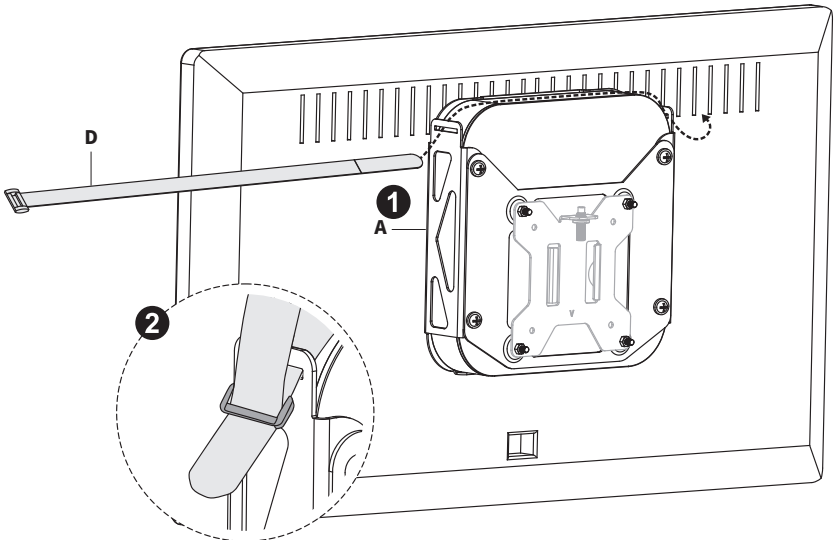
STEP 3

Secure Locking Plate **(B)** to Mounting Plate **(A)** using M5x6mm Screws **(S-C)**, M5 Washers **(S-E)**, and a Phillips screwdriver.



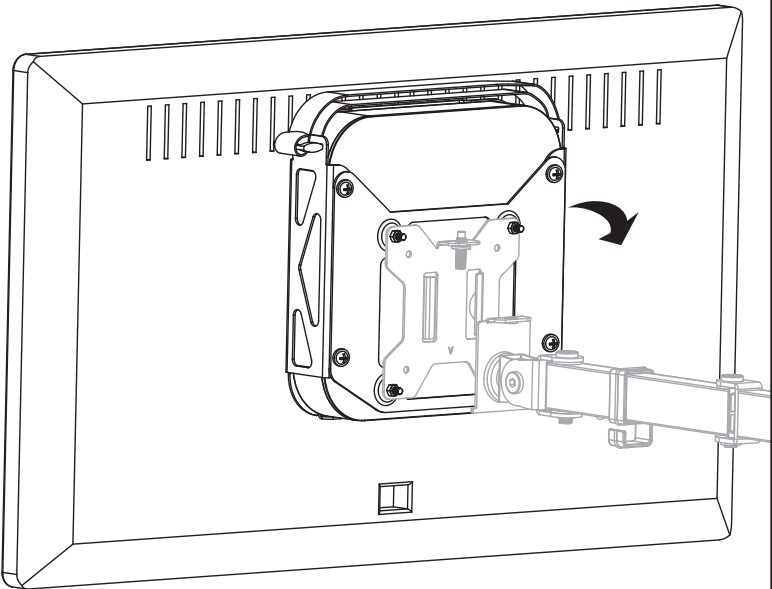
STEP 4

Place Mac Mini into assembly and feed Velcro Strap (D) through loops on Mounting Plate (A) to secure, as shown below.



STEP 5

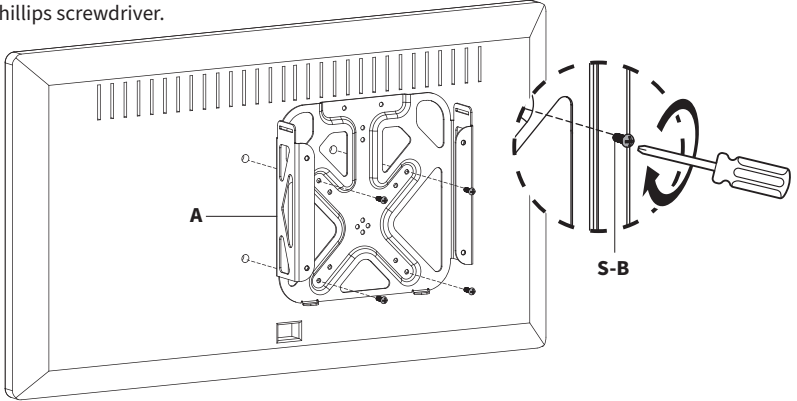
Secure VESA plate to monitor mount using manufacturer guidelines.



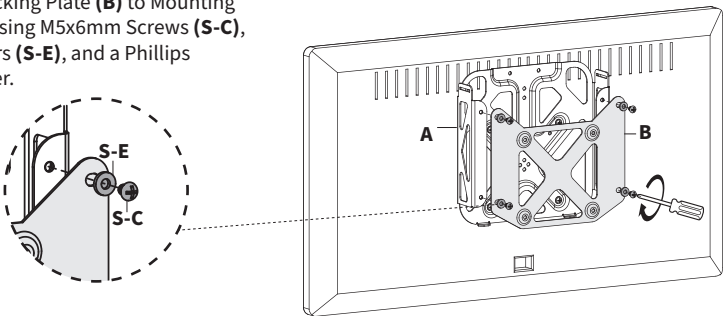
ASSEMBLY OPTION C: VESA Plate - Freestanding Monitor

STEP 1

Secure Mounting Plate (A) to VESA holes on the back of the monitor using M4x12mm Screws (S-B) and a Phillips screwdriver.

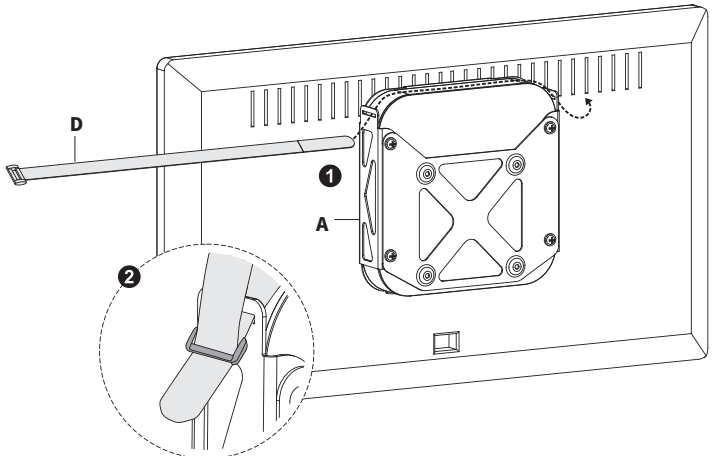


Secure Locking Plate (B) to Mounting Plate (A) using M5x6mm Screws (S-C), M5 Washers (S-E), and a Phillips screwdriver.



STEP 2

Place Mac Mini into assembly and feed Velcro Strap (D) through loops on Mounting Plate (A) to secure.





Love your new VIVO setup and want to share?
Tag us in your photo! [@vivo_us](#)

LAST UPDATED: 06/30/2023
REV1.1



Open **Monday - Friday 7:00am - 7:00pm** CST,
our dedicated support team can offer immediate assistance with rapid response times. If any parts are received damaged or defective, please contact us. We are happy to replace parts to ensure you have a fully functioning product.



309-278-5303

AVG. RESOLUTION TIME (*within office hrs*): **5M 4S**



www.vivo-us.com
Chat live with an agent!

AVG. RESOLUTION TIME (*within office hrs*): **< 15 M**



help@vivo-us.com

AVG. RESPONSE TIME (*within office hrs*): **1HR 8M**

- 23% within < 15m
- 38% within < 30m
- 61% within < 1hr
- 83% within < 2hr
- 92% within < 3hr

FOR MORE VIVO PRODUCTS, CHECK OUT OUR WEBSITE AT: www.vivo-us.com