

# VESA Adapter Designed for M1 iMac

*SKU: MOUNT-MACM1*  
Instruction Manual

---

*Assembly Video & Product Info*  
[www.vivo-us.com/products/mount-macm1](http://www.vivo-us.com/products/mount-macm1)



## ! CAUTION! !

If you do not understand these directions, or if you have any doubts about the safety of the installation, please contact our product support team at 309-278-5303 or [help@vivo-us.com](mailto:help@vivo-us.com) for further assistance. Check carefully to make sure there are no missing or defective parts. Improper installation may cause damage or serious injury. Do not use this product for any purpose that is not explicitly specified in this manual. Do not exceed weight capacity. We cannot be liable for damage or injury caused by improper mounting, incorrect assembly or inappropriate use.



### WARNING: CHOKING HAZARD

SMALL PARTS - NOT FOR CHILDREN UNDER 3 YEARS. ADULT SUPERVISION IS REQUIRED.

---

## We're Here for You

Open **Monday - Friday 7:00am - 7:00pm CST**, our dedicated support team can offer immediate assistance with rapid response times. If any parts are received damaged or defective, please contact us. We are happy to replace parts to ensure you have a fully functioning product.



Give us a Call:  
**309-278-5303**

AVG. RESOLUTION TIME (*within office hrs*): **5M 4S**



Chat Us:  
**[www.vivo-us.com](http://www.vivo-us.com)**

AVG. RESOLUTION TIME (*within office hrs*): **< 15 M**

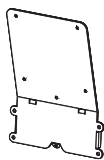


Email Us:  
**[help@vivo-us.com](mailto:help@vivo-us.com)**

AVG. RESPONSE TIME (*within office hrs*): **1HR 8M**

- 23% within < 15m
- 38% within < 30m
- 61% within < 1hr
- 83% within < 2hr
- 92% within < 3hr

## Package Contents



**A** (x1)  
Part Name



**B** (x1)  
Part Name

---

## Included Hardware & Tools



**S-A** (x4)  
M4x12  
Thumbscrew



**S-B** (x4)  
M4x8  
Thumbscrew



**S-C** (x1)  
M4x22  
Thumbscrew



**S-D** (x1)  
M4x37  
Thumbscrew

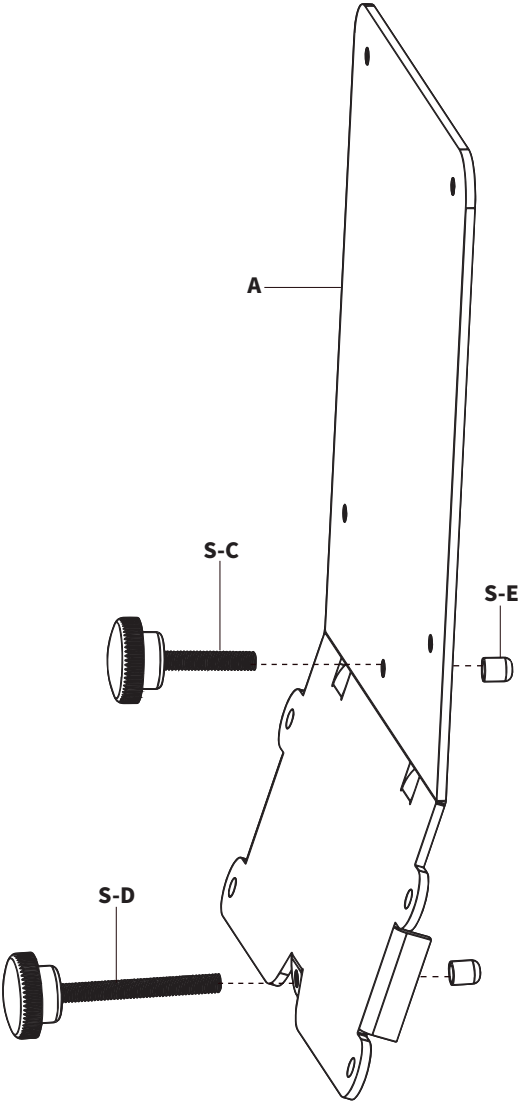


**S-E** (x2)  
Screw Pad

# ASSEMBLY STEPS

## STEP 1

Partially insert M4x22mm Thumbscrew (**S-C**) into the center hole of VESA Adapter Plate (**A**), and M4x37mm Thumbscrew (**S-D**) into the lower hole of VESA Adapter Plate (**A**). Press Screw Pads (**S-E**) onto the ends of the Thumbscrews.



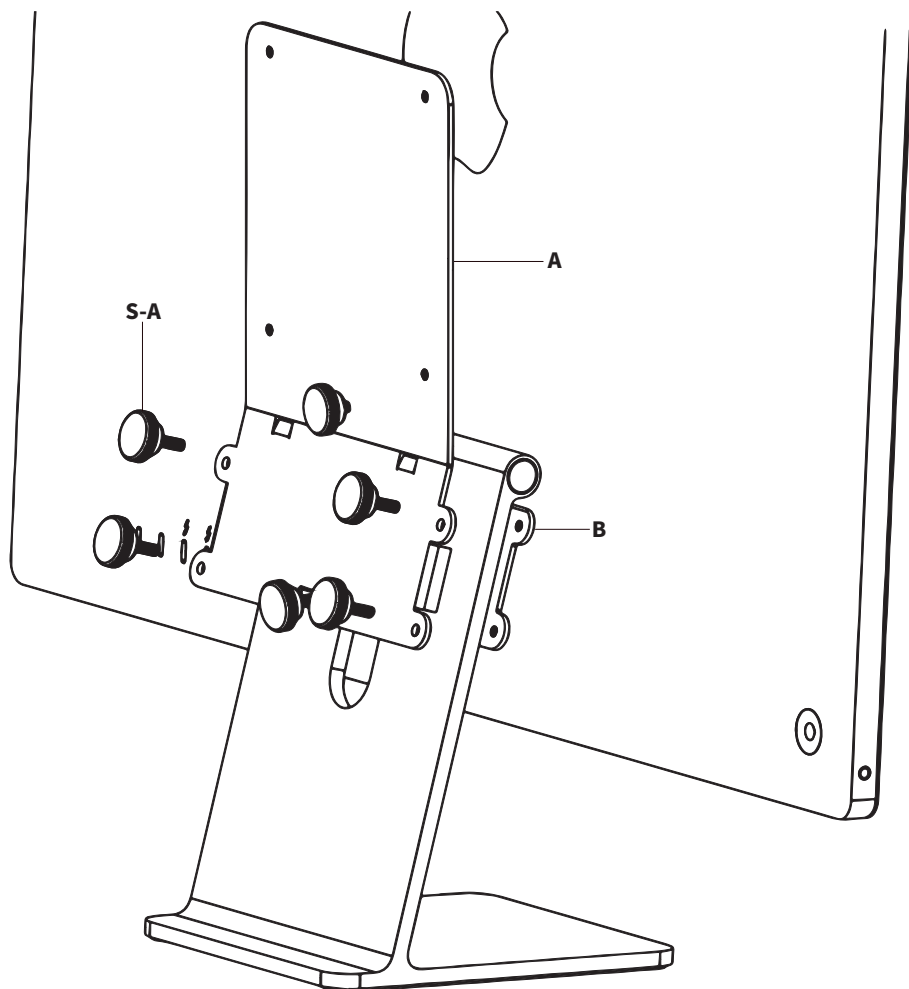
## STEP 2

Assemble VESA Adapter Plate (**A**) and Clamp Plate (**B**) to the base of the iMac using M4x12mm Thumbscrews (**S-A**).

**NOTE:** The Clamp Plate should be pushed all the way up underneath the iMac base, and the curved tabs of the VESA Adapter Plate should be resting over the curved top of the base.

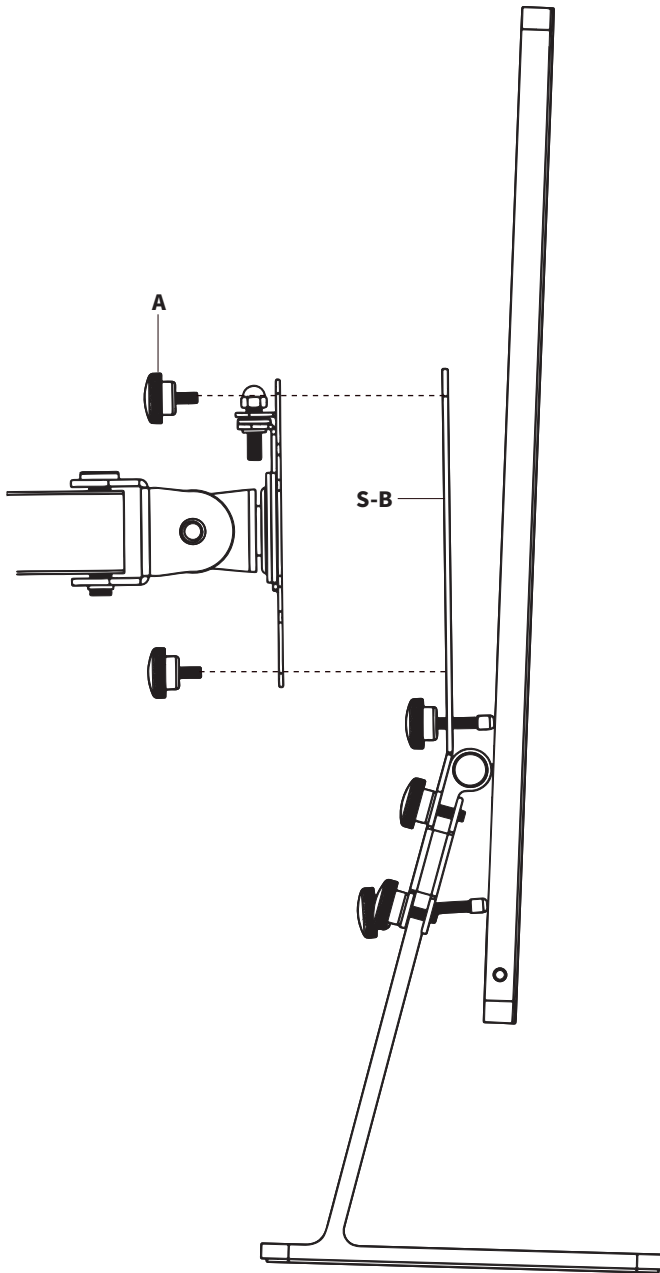


S-A (x4)



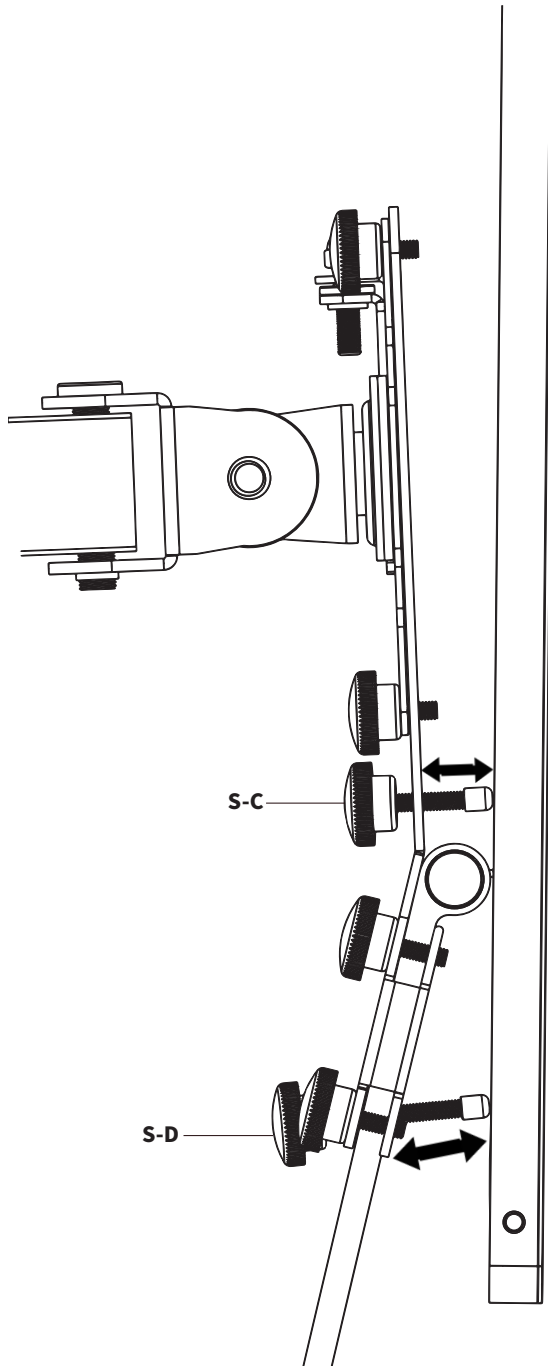
## STEP 3

Install VESA Adapter (**A**) with iMac to the VESA mount using M4x8mm Thumbscrews (**S-B**).



## STEP 4

Use M4x22mm and M4x37mm Thumbscrews (**S-C** and **S-D**) to adjust the angle of the iMac screen. They may be left partially loose to work as a limiter while allowing the screen to tilt freely, or tightened to hold a specific tilt angle.





## **Need Help? Get In Touch**

Monday-Friday from 7:00am-7:00pm CST



[help@vivo-us.com](mailto:help@vivo-us.com)



[www.vivo-us.com](http://www.vivo-us.com)

*Chat live with an agent!*



309-278-5303



**VIVO-us** @vivo\_us