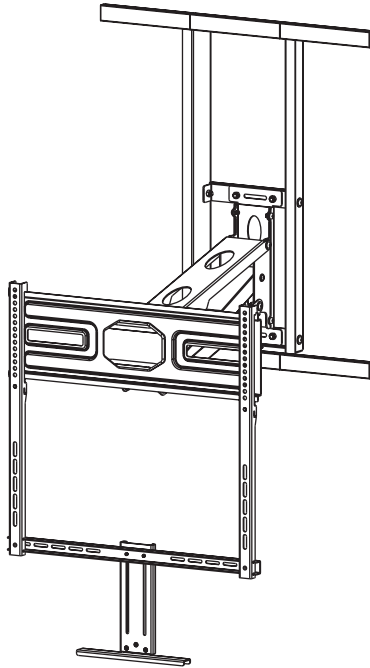




Mechanical Spring Recessed Fireplace TV Mount Instruction Manual



SKU: MOUNT-M-MM070R



Scan the QR code with your mobile device or follow the link for helpful videos and specifications related to this product.

<https://vivo-us.com/products/mount-m-mm070r>

GET IN TOUCH | Monday-Friday from 7:00am-7:00pm CST



help@vivo-us.com



www.vivo-us.com
Chat live with an agent!

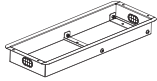


309-278-5303

⚠️ WARNING!

If you do not understand these directions, or if you have any doubts about the safety of the installation, please call a qualified technician. Check carefully to make sure there are no missing or defective parts. Improper installation may cause damage or serious injury. Do not use this product for any purpose that is not explicitly specified in this manual. Do not exceed weight capacity. We cannot be liable for damage or injury caused by improper mounting, incorrect assembly or inappropriate use.

PACKAGE CONTENTS



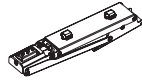
A (x1)
Housing



B (x2)
Housing Mounting Bracket



C (x1)
Arm Mounting Plate



D (x1)
Arm



E (x1)
TV Plate



F (x2)
VESA Bracket



G (x1)
Handle Support



H (x1)
Handle



I (x6)
Bracket Cover



J (x1)
Plate Cover



S-A (x4)
M8x12mm Screw



S-B (x3)
M8 Plastic Washer



S-C (x7)
M8 Metal Washer



S-D (x7)
M8 Nut



S-E (x4)
ST3x6mm Screw



S-F (x2)
M6x10mm Screw



S-G (x2)
M6x20mm Screw



S-H (x4)
M6 Washer



S-I (x4)
M8x16mm Screw



S-J (x4)
M8x18mm Screw



M-A (x4)
M6x14mm Screw



M-B (x4)
M8x16mm Screw



M-C (x4)
M6x30mm Screw



M-D (x4)
M8x35mm Screw



M-E (x4)
Small M8 Washer



M-F (x4)
Small Spacer



M-G (x4)
Large Spacer



W-A (x6)
ST8x60mm Screw



W-B (x6)
Concrete Anchor



W-C (x6)
Large M8 Washer



T-A (x1)
5mm Allen Wrench



T-B (x1)
Ratchet



T-C (x1)
10mm Socket



T-D (x1)
Wrench



T-E (x1)
13mm Socket

NOTE: NOT ALL HARDWARE INCLUDED WILL BE USED

TOOLS NEEDED



Pencil



Tape Measure



Stud Finder



Drill



Phillips Screwdriver



6mm Drill Bit



10mm Socket



Socket Wrench

⚠️ WARNING: CHOKING HAZARD

SMALL PARTS - NOT FOR CHILDREN UNDER 3 YEARS. ADULT SUPERVISION IS REQUIRED.

DO NOT EXCEED WEIGHT CAPACITY.
Failure to do so may result in serious injury.





CAUTION!

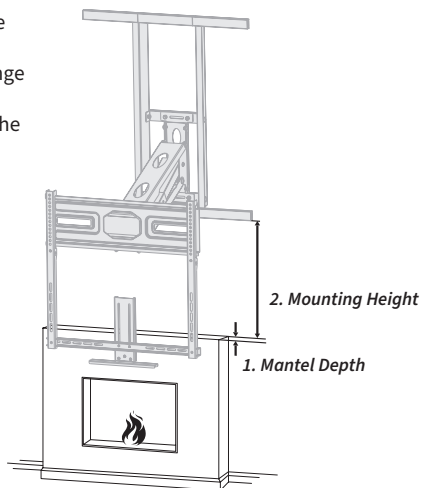
DO NOT INSTALL INTO DRYWALL ALONE. VERIFY YOUR WALL CONSTRUCTION. USE WOOD STUDS TO MOUNT. We include mounting hardware for brick and concrete walls. If unsure, please contact us at vivo-us.com, email at help@vivo-us.com, or call us at 309-278-5303.

ASSEMBLY STEPS

STEP 1

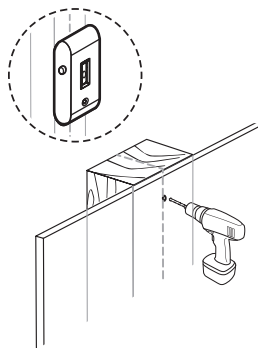
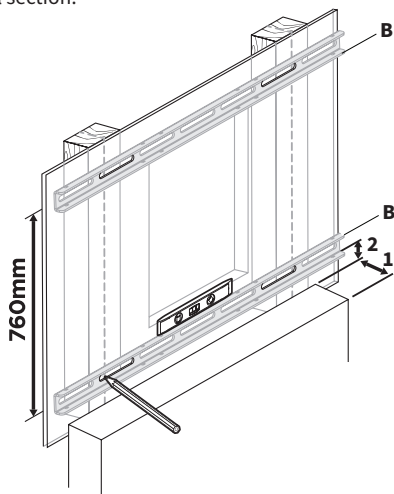
To ensure the mount will clear the front of mantel, use the chart below to determine the mounting height. Measure the depth of your mantel, find the closest range in column 1 below, then use column 2 to determine your Mounting Height. Note: Ensure that the edge of the mantel does not exceed 110°F (43°C).

1. Mantel Depth	2. Mounting Height
< 30mm/ 1.2"	> 30mm/1.2"
< 200mm/ 7.87"	> 140mm/5.51"
< 250mm/9.84"	> 170mm/6.69"
< 300mm/11.81"	> 200mm/7.87"
< 350mm/13.78"	> 250mm/9.84"



With the Required Mounting Height (2) measurement, use a stud finder and a level to mark the pilot hole locations for the lower Housing Mounting Bracket (B). Mark the upper Housing Mounting Bracket (B) 29.9" (760mm) above the lower holes. Use of a stud finder and level is recommended. Drill out marked holes 2.4" (60mm) deep using a 1/4" (6mm) drill bit.

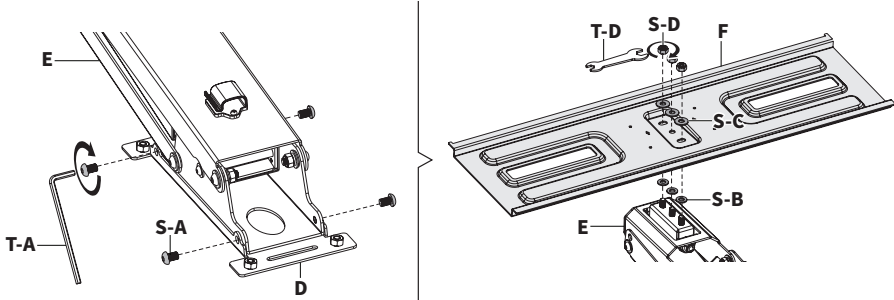
Hold Housing (A) in between Housing Mounting Bracket (B) locations. The vertical position should be centered between Housing Mounting Bracket (B) holes previously drilled. With the back side touching the wall, trace the perimeter of Housing (A) using a level and a pencil. Cut and remove the drywall section.



Note: Ensure there is enough ceiling clearance for your TV size.

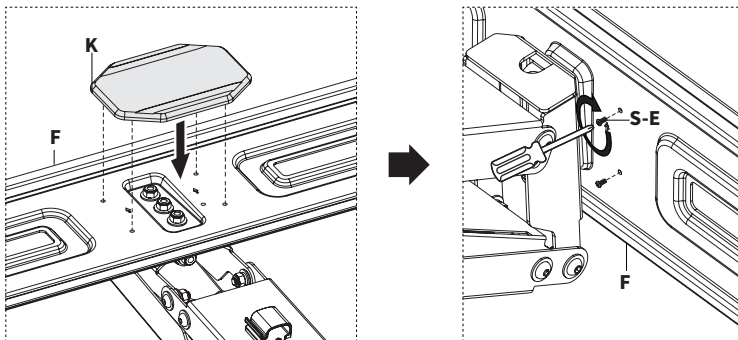
STEP 2

Attach Arm Mounting Plate (D) to Arm (E) using M8x12mm Screws (S-A) and 5mm Allen Wrench (T-A). Connect TV Plate (F) to threaded bolts on Arm (E) using M8 Plastic Washers (S-B), M8 Metal Washers (S-C), M8 Nuts (S-D) and Wrench (T-D).



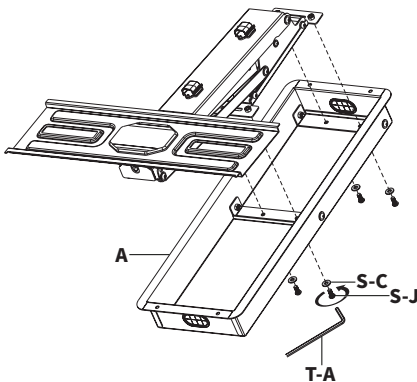
STEP 3

Install Plate Cover (K) to TV Plate (F) using ST3.6mm Screws (S-E) and a Phillips screwdriver.



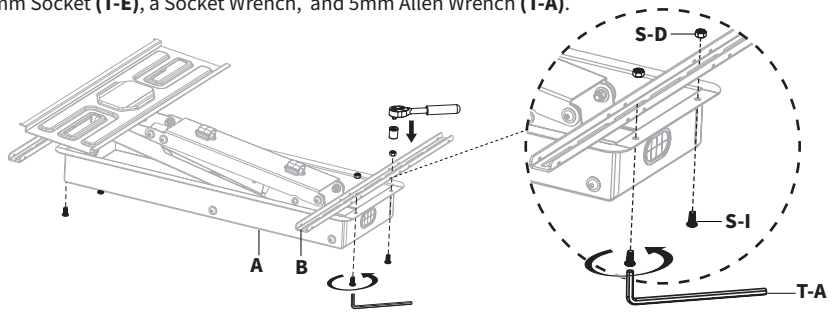
STEP 4

Secure Housing (A) to arm assembly using M8x18mm Screws (S-J), M8 Metal Washers (S-C), and 5mm Allen Wrench (T-A).



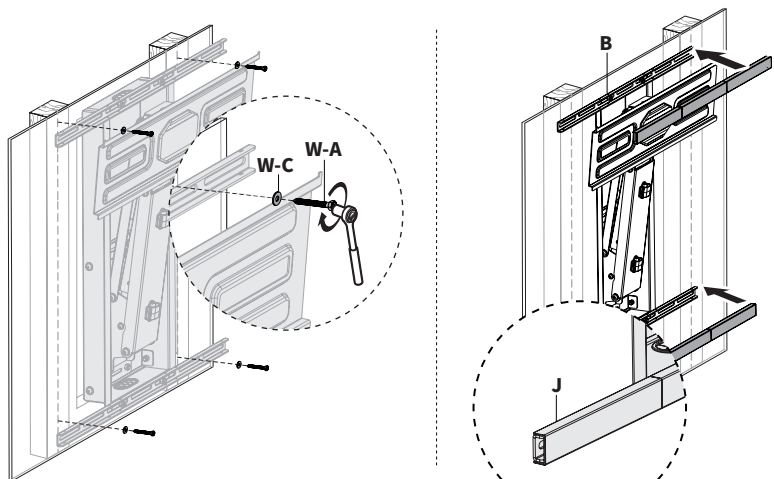
STEP 5

Connect Housing Mounting Brackets (**B**) to Housing (**A**) using M8x16mm Screws (**S-I**), M8 Nuts (**S-D**), 13mm Socket (**T-E**), a Socket Wrench, and 5mm Allen Wrench (**T-A**).



STEP 6

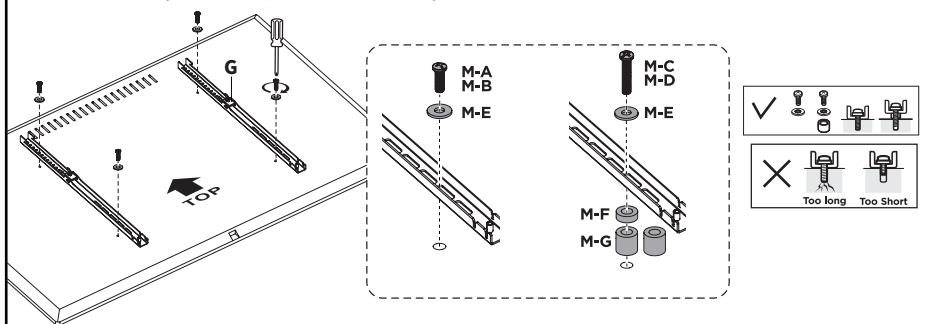
Secure Housing Mounting Brackets (**B**) with assembly to previously pre-drilled holes using ST8.60mm Screws (**W-A**), Large M8 Washers (**W-C**), 13mm Socket (**T-E**) with a Socket Wrench, and a 10mm Socket (not provided). Place Bracket Covers (**J**) over Housing Mounting Brackets (**B**).



Please Note: Concrete Anchors (**W-B**) are provided in custom installation brick/concrete walls.

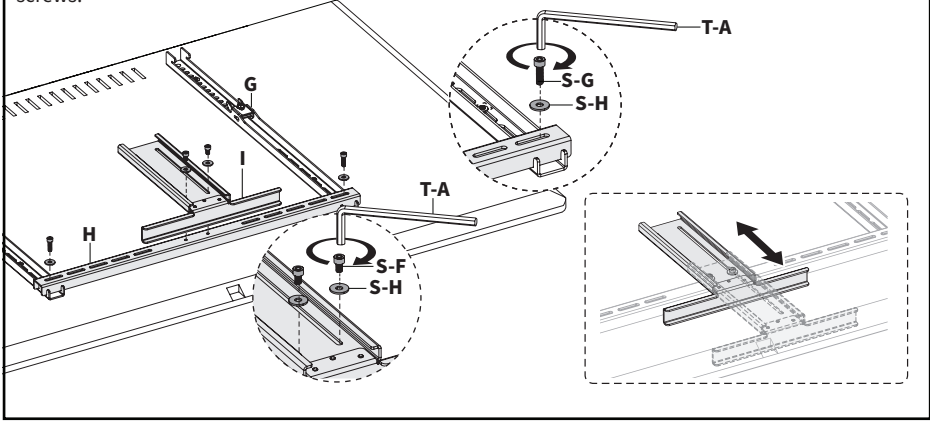
STEP 7

Secure VESA Brackets (**G**) to back of TV using appropriate Screws (**M-A through M-D**), Small M8 Washers (**M-E**), Spacers (**M-F, M-G**), and a Phillips screwdriver.



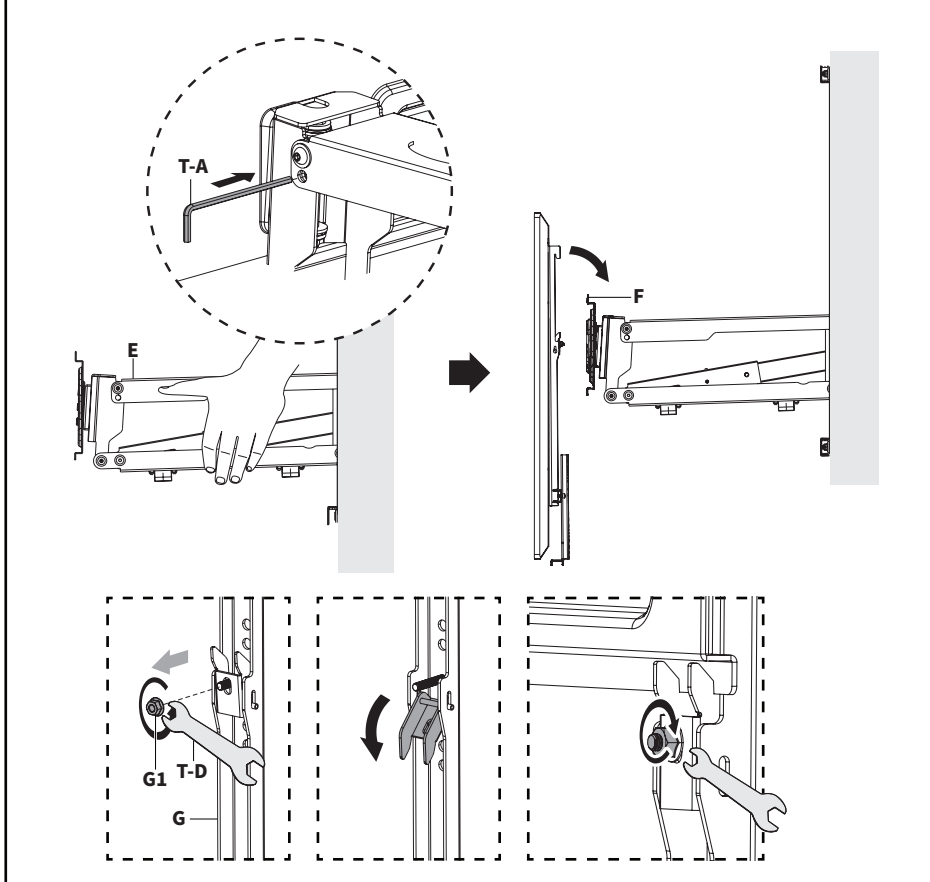
STEP 8

Attach Handle Support (H) to VESA Brackets (G) using M6x20mm Screws (S-G), M6 Washer (S-H), and 5mm Allen Wrench (T-A). Secure HANDLE (I) to Handle Support (H) using M6x10mm Screws (S-F) and M6 Washers (S-H). Partially secure using 5mm Allen Wrench. Slide Bracket forward and fully tighten screws.



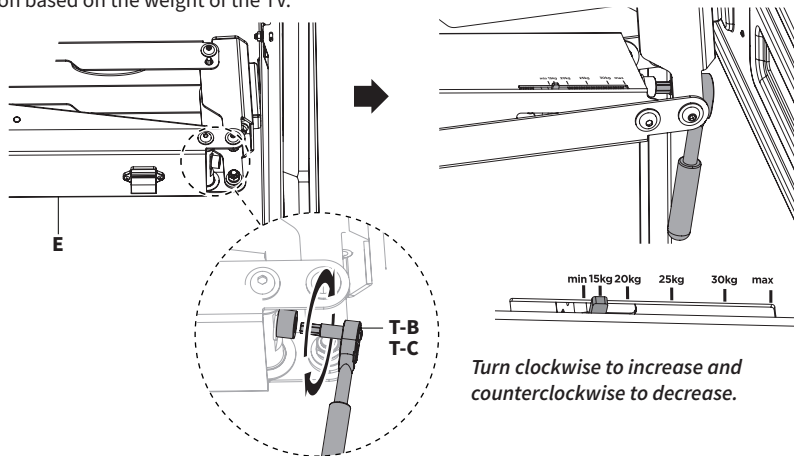
STEP 9

Level mount assembly and insert 5mm Allen Wrench (T-A) into the of the end of Arm (E) to lock it in place. Remove Nuts (G1) from the back of VESA Brackets (G) using Wrench (T-D) and open the latches. Hang VESA Brackets (G) over TV Plate (F) and secure the latches using Nuts (G1) and Wrench (T-D).



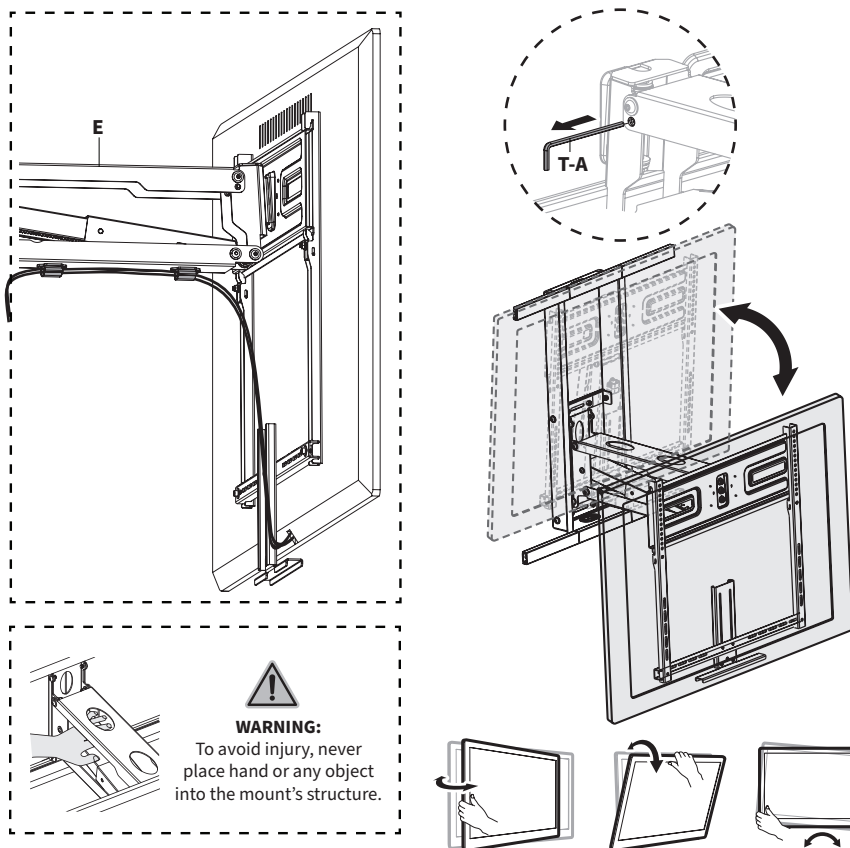
STEP 10

Assemble Socket (T-C) to Ratchet (T-B). Insert Socket (T-C) into the adjustment screw on the front of Arm (E). Tighten the adjustment screw using Ratchet (T-B) to set the the indicator to the correct position based on the weight of the TV.



STEP 11

Organize cables using the cable clips located under Arm (E). Remove 5mm Allen Wrench (T-A) from Arm (E) and adjust the TV as desired.





Open **Monday - Friday 7:00am - 7:00pm** CST,
our dedicated support team can offer immediate assistance with rapid response times. If any parts are received damaged or defective, please contact us. We are happy to replace parts to ensure you have a fully functioning product.



309-278-5303

AVG. RESOLUTION TIME (*within office hrs*): **5M 4S**



www.vivo-us.com
Chat live with an agent!

AVG. RESOLUTION TIME (*within office hrs*): **< 15 M**



help@vivo-us.com

AVG. RESPONSE TIME (*within office hrs*): **1HR 8M**

- 23% within < 15m
- 38% within < 30m
- 61% within < 1hr
- 83% within < 2hr
- 92% within < 3hr