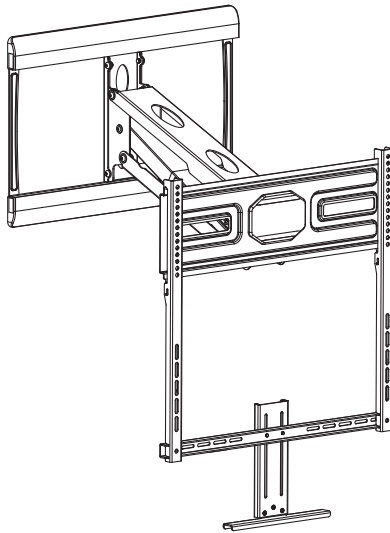




Mechanical Spring Fireplace TV Mount

Instruction Manual



SKU: MOUNT-M-MM070A



Scan the QR code with your mobile device or follow the link for helpful videos and specifications related to this product.

<https://vivo-us.com/products/mount-m-mm070a>

GET IN TOUCH | Monday-Friday from 7:00am-7:00pm CST



help@vivo-us.com



www.vivo-us.com
Chat live with an agent!

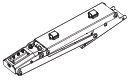


309-278-5303

⚠️ WARNING!

If you do not understand these directions, or if you have any doubts about the safety of the installation, please call a qualified technician. Check carefully to make sure there are no missing or defective parts. Improper installation may cause damage or serious injury. Do not use this product for any purpose that is not explicitly specified in this manual. Do not exceed weight capacity. We cannot be liable for damage or injury caused by improper mounting, incorrect assembly or inappropriate use.

PACKAGE CONTENTS



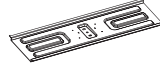
A (x1)
Mount



B (x1)
Wall Plate



C (x1)
Stencil



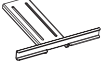
D (x1)
TV Plate



E (x2)
VESA Bracket



F (x1)
Handle Support



G (x1)
Handle



H (x2)
Wall Plate Cover



I (x1)
TV Plate Cover



S-A (x4)
M8x12mm Screw



S-B (x3)
M8 Plastic Washer



S-C (x3)
M8 Washer



S-D (x3)
M8 Nut



S-E (x4)
ST3x6mm Screw



S-F (x2)
M6x10mm Screw



S-G (x2)
M6x20mm Screw



S-H (x4)
M6 Washer



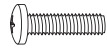
M-A (x4)
M6x14mm Screw



M-B (x4)
M8x16mm Screw



M-C (x4)
M6x30mm Screw



M-D (x4)
M8x35mm Screw



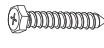
M-E (x4)
M8 Washer



M-F (x4)
Small Spacer



M-G (x4)
Large Spacer



W-A (x6)
ST6.3x55mm Screw



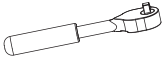
W-B (x6)
Concrete Anchor



W-C (x6)
M6 Washer



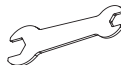
T-A (x1)
5mm Allen Wrench



T-B (x1)
Ratchet



T-C (x1)
Socket



T-D (x1)
Wrench

NOTE: NOT ALL HARDWARE INCLUDED WILL BE USED

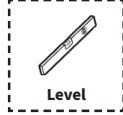
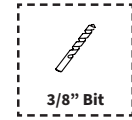
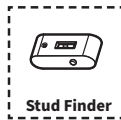
⚠️ CAUTION!

DO NOT INSTALL INTO DRYWALL ALONE. VERIFY YOUR WALL CONSTRUCTION. USE WOOD STUDS TO MOUNT. We include mounting for brick and concrete walls. If unsure, please contact us at vivo-us.com, email at help@vivo-us.com, or call us at 309-278-5303.

⚠️ WARNING: CHOKING HAZARD

SMALL PARTS - NOT FOR CHILDREN UNDER 3 YEARS. ADULT SUPERVISION IS REQUIRED.

TOOLS NEEDED



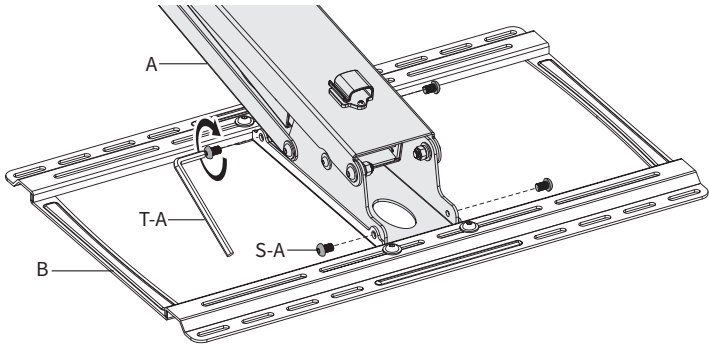
DO NOT EXCEED WEIGHT CAPACITY.
Failure to do so may result in serious injury.



ASSEMBLY STEPS

STEP 1

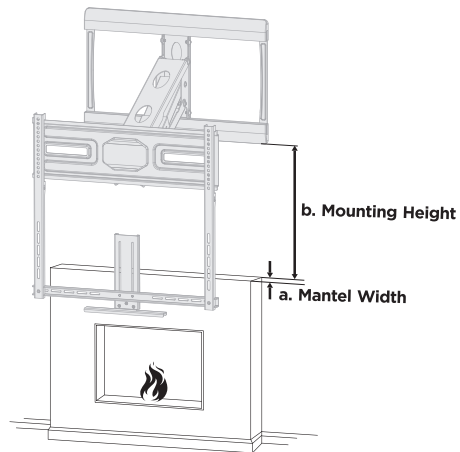
Assemble Mount (A) to Wall Plate (B) using M8x12mm Screws (S-A) and 5mm Allen Wrench (T-A).



STEP 2

Measure the required mounting height using the chart below. Ensure the front edge of the mantel does not exceed 110°F (43°C).

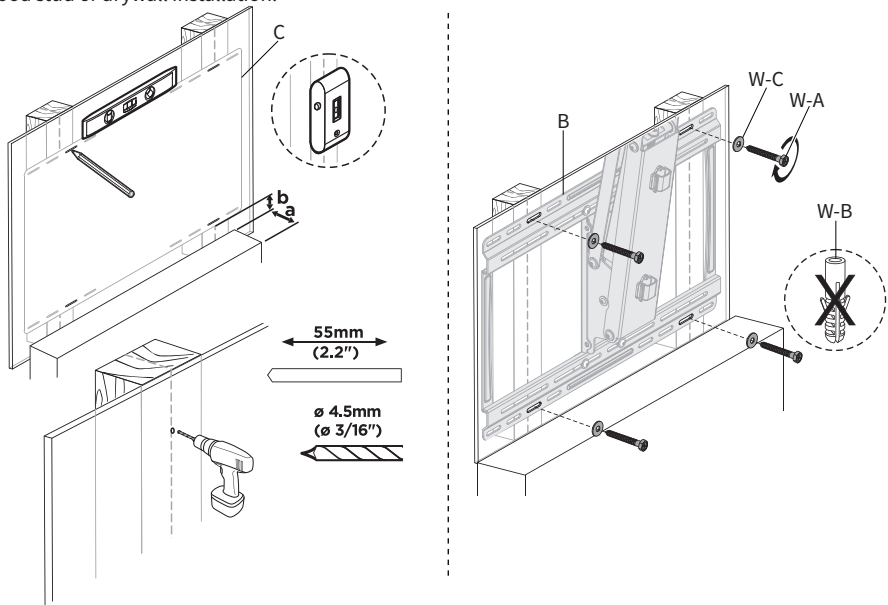
a. Mantel Width	b. Mounting Height Required
≤ 30mm (1.2")	≥ 30mm (1.2")
≤ 200mm (7.9")	≥ 140mm (5.5")
≤ 250mm (9.9")	≥ 170mm (6.7")
≤ 300mm (11.8")	≥ 200mm (7.9")
≤ 350mm (13.8")	≥ 250mm (9.9")



STEP 3 (Option A)

Wood Wall Installation

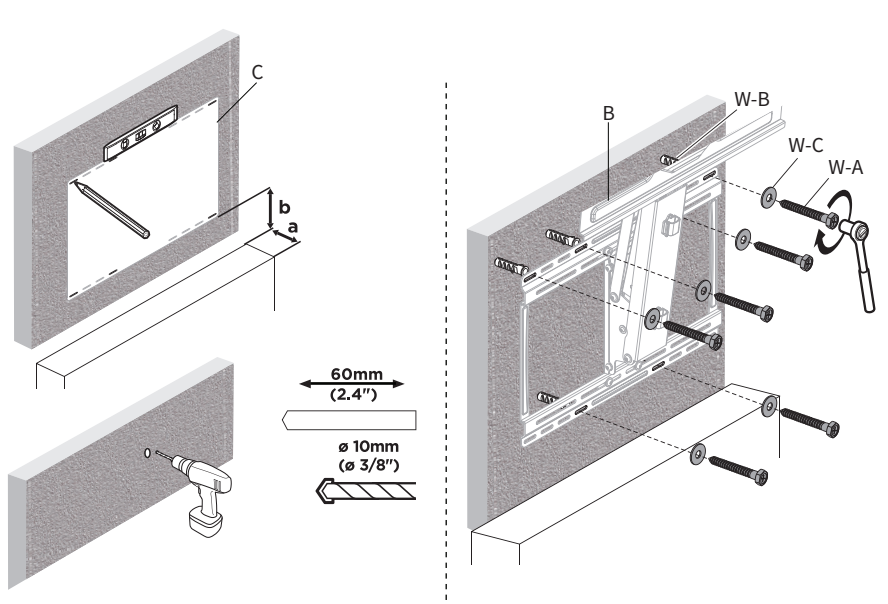
Use Stencil (C) to mark mounting holes on the wall where a stud is located, and drill 55mm (2.2") deep holes using 4.5mm (3/16") bit. Use of a stud finder and level is recommended. Mount Wall Plate (B) to the wall using ST6.3x55mm Screws (W-A) and M6 Washers (W-C). Do not use Concrete Anchors (W-B) for wood stud or drywall installation.



STEP 3 (Option B)

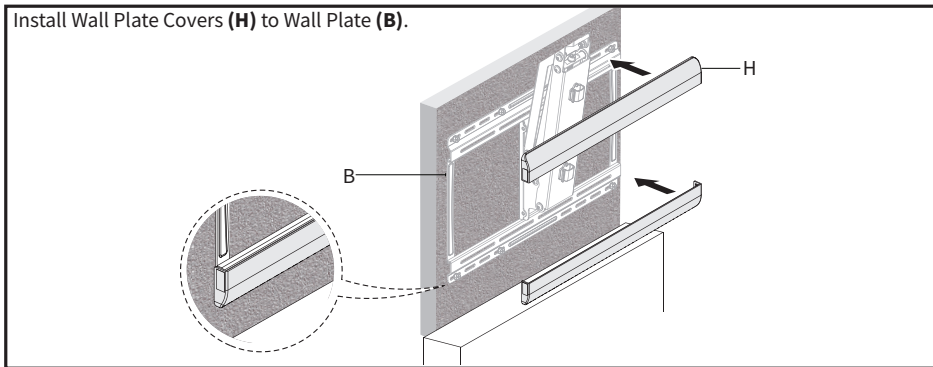
Concrete/Brick Wall Installation

Use Stencil (C) to mark mounting holes on the wall. Using a 10mm (3/8") drill bit, drill holes at least 60mm (2.4") deep into marked locations. Use of a level is recommended. Press Concrete Anchors (W-B) into holes. Mount Wall Plate (B) to the wall using ST6.3x55mm Screws (W-A) and M6 Washers (W-C).



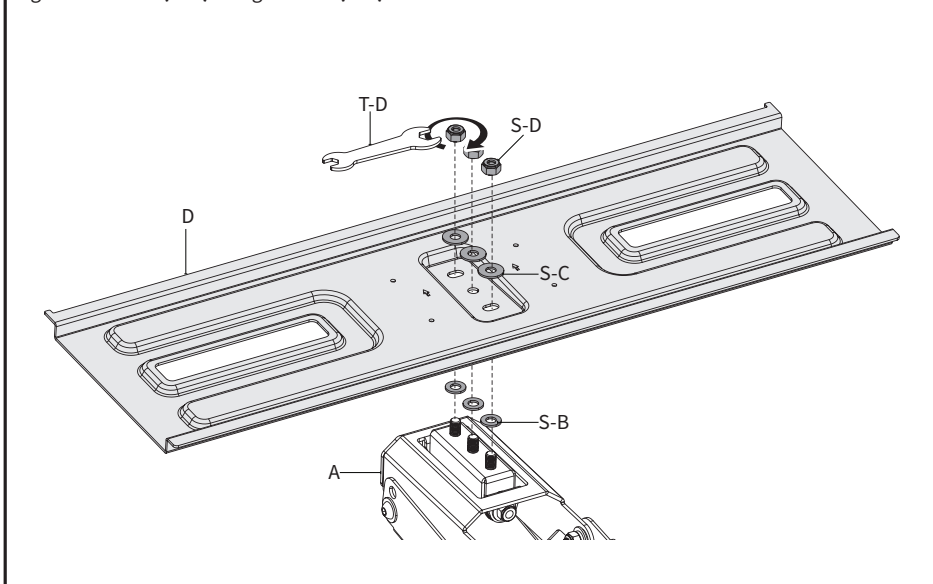
STEP 4

Install Wall Plate Covers (**H**) to Wall Plate (**B**).



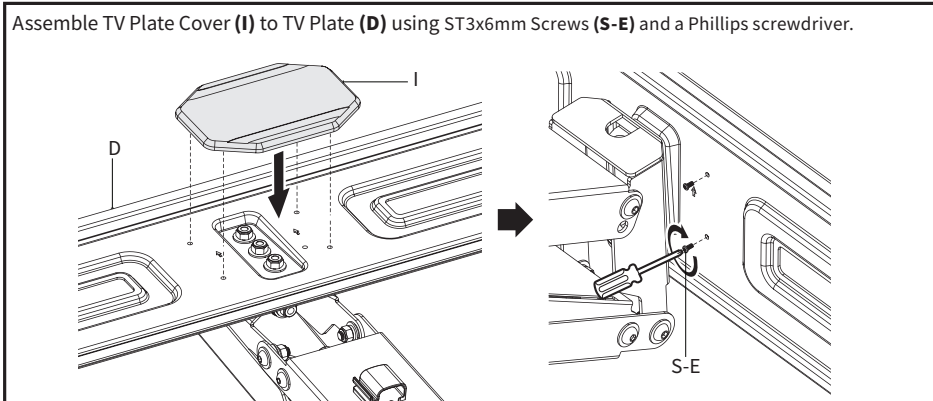
STEP 5

Secure TV Plate (**D**) to Mount (**A**) using M8 Plastic Washers (**S-B**), M8 Washers (**S-C**), and M8 Nuts (**S-D**). Tighten M8 Nuts (**S-D**) using Wrench (**T-D**).



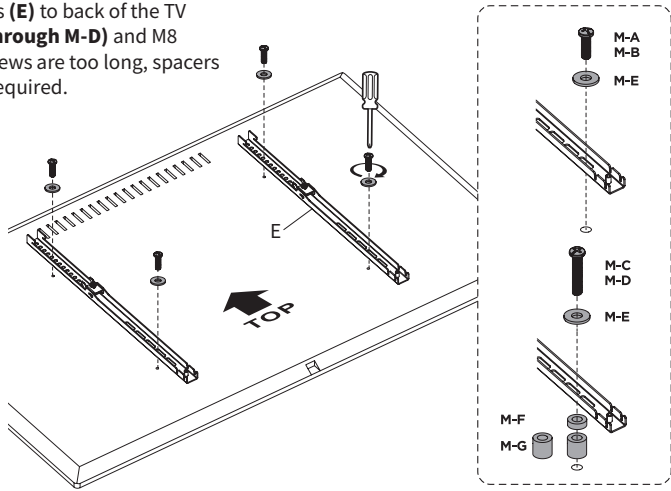
STEP 6

Assemble TV Plate Cover (**I**) to TV Plate (**D**) using ST3x6mm Screws (**S-E**) and a Phillips screwdriver.



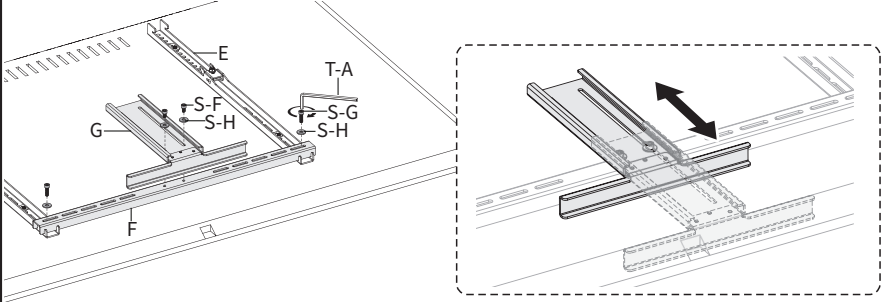
STEP 7

Attach VESA Brackets (**E**) to back of the TV using screws (**M-A through M-D**) and M8 Washers (**M-E**). If screws are too long, spacers (**M-F, M-G**) may be required.



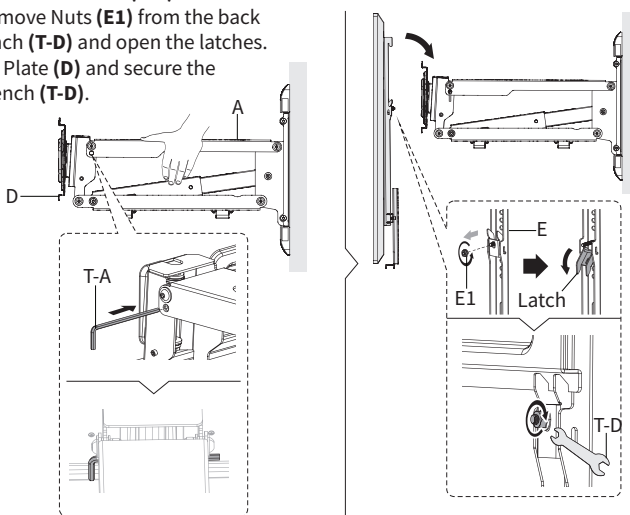
STEP 8

Assemble Handle Support (**F**) to VESA Brackets (**E**) using M6x20mm Screws (**S-G**) and M6 Washers (**S-H**). Mount Handle (**G**) to Handle Support (**F**) using M6x10mm Screws (**S-F**) and M6 Washers (**S-H**). Tighten all screws using 5mm Allen Wrench (**T-A**).



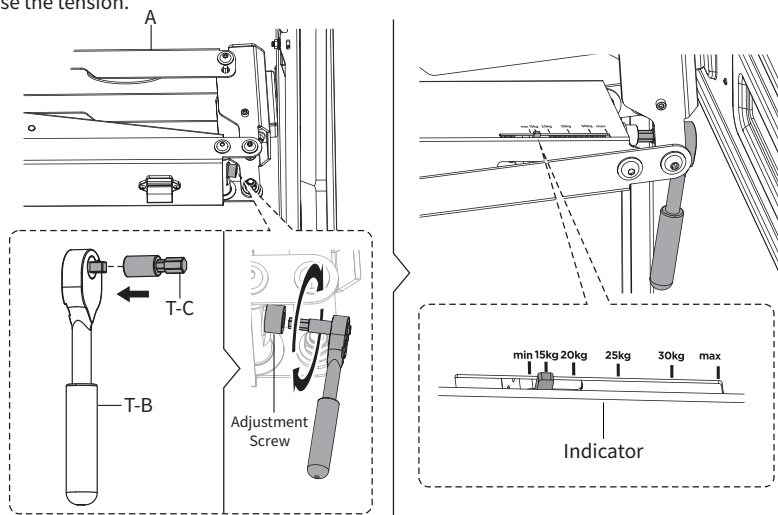
STEP 9

Level Mount (**A**) and insert 5mm Allen Wrench (**T-A**) into the end to lock it in place. Remove Nuts (**E1**) from the back of VESA Brackets (**E**) using Wrench (**T-D**) and open the latches. Hang VESA Brackets (**E**) over TV Plate (**D**) and secure the latches using Nuts (**E1**) and Wrench (**T-D**).



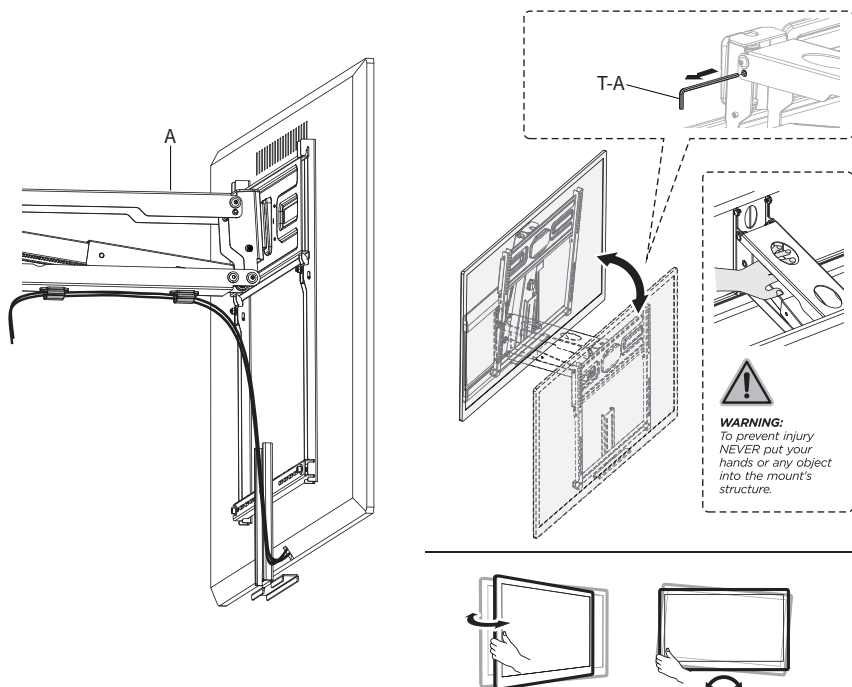
STEP 10

Assemble Socket (T-C) to Ratchet (T-B). Insert Socket (T-C) into the adjustment screw on the front of Mount (A). Tighten the adjustment screw using Ratchet (T-B) to set the the indicator to the correct position based on the weight of the TV. Turn counter-clockwise to loosen the tension, and clockwise to increase the tension.



STEP 11

Organize cables using the cable clips located under Mount (A). Remove 5mm Allen Wrench (T-A) from Mount (A) and adjust the TV as desired.





Open **Monday - Friday 7:00am - 7:00pm** CST,
our dedicated support team can offer immediate assistance with rapid response times. If any parts are received damaged or defective, please contact us. We are happy to replace parts to ensure you have a fully functioning product.



309-278-5303

AVG. RESOLUTION TIME (*within office hrs*): **5M 4S**



www.vivo-us.com
Chat live with an agent!

AVG. RESOLUTION TIME (*within office hrs*): **< 15 M**



help@vivo-us.com

AVG. RESPONSE TIME (*within office hrs*): **1HR 8M**

- 23% within < 15m
- 38% within < 30m
- 61% within < 1hr
- 83% within < 2hr
- 92% within < 3hr