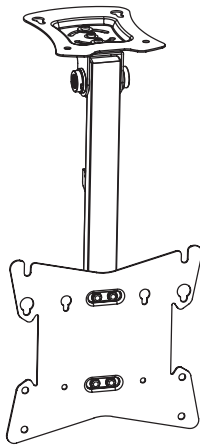




Flip Down Ceiling TV and Monitor Mount Instruction Manual



SKU: MOUNT-M-FD37B



Scan the QR code with your mobile device or follow the link for helpful videos and specifications related to this product.

<https://vivo-us.com/products/mount-m-fd37b>

GET IN TOUCH | Monday-Friday from 7:00am-7:00pm CST



help@vivo-us.com



www.vivo-us.com
Chat live with an agent!



309-278-5303

WARNING!

If you do not understand these directions, or if you have any doubts about the safety of the installation, please call a qualified technician. Check carefully to make sure there are no missing or defective parts. Improper installation may cause damage or serious injury. Do not use this product for any purpose that is not explicitly specified in this manual. Do not exceed weight capacity. We cannot be liable for damage or injury caused by improper mounting, incorrect assembly or inappropriate use.

PACKAGE CONTENTS



A (x1)
Mount



M-A (x4)
M4x12mm Screw



M-B (x4)
M5x12mm Screw



M-C (x4)
M6x12mm Screw



M-D (x4)
M8x16mm Screw



W-A (x4)
M6x60mm Screw



W-B (x4)
Anchor



W-C (x4)
M6.5mm Washer



T-A (x1)
4mm Allen Wrench



T-B (x1)
6mm Allen Wrench

NOTE: NOT ALL HARDWARE INCLUDED WILL BE USED

CAUTION!

DO NOT INSTALL INTO DRYWALL ALONE. VERIFY YOUR CEILING CONSTRUCTION. USE WOOD STUDS TO MOUNT. We include mounting for concrete ceilings as well. If unsure, please contact us at vivo-us.com, email at help@vivo-us.com, or call us at 309-278-5303

TOOLS NEEDED



**Phillips
Screwdriver**



Drill



Pencil

DO NOT EXCEED WEIGHT CAPACITY.
Failure to do so may result in serious injury.



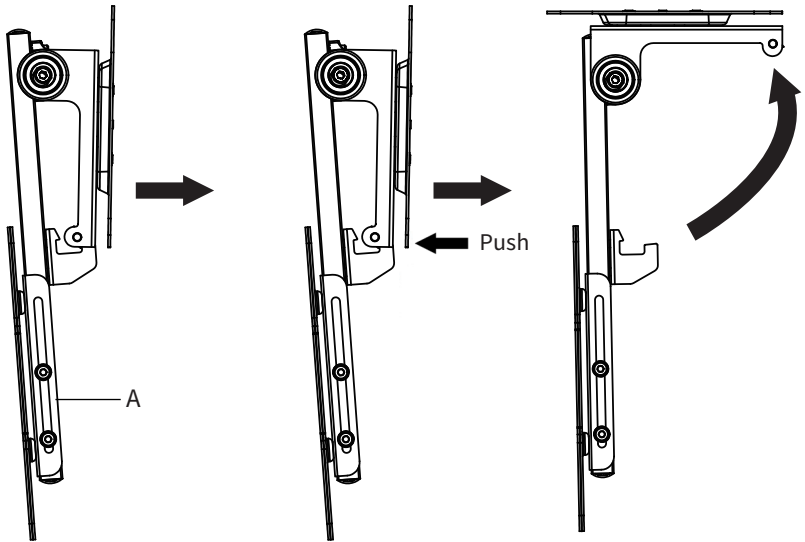
WARNING: CHOKING HAZARD

SMALL PARTS - NOT FOR CHILDREN UNDER 3 YEARS. ADULT SUPERVISION IS REQUIRED.

ASSEMBLY STEPS

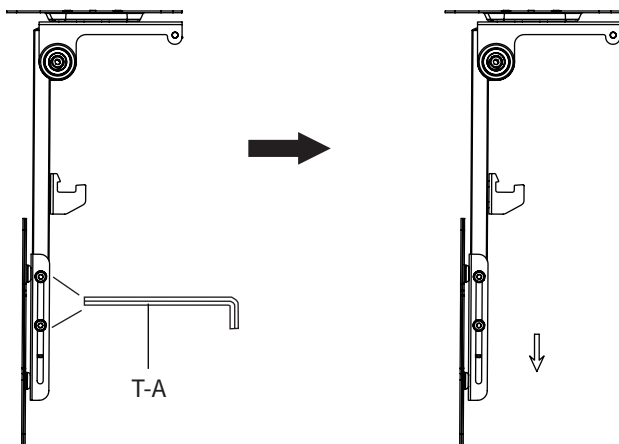
STEP 1

Push arm against ceiling plate of Mount **(A)** to release lock and rotate the arm.



STEP 2

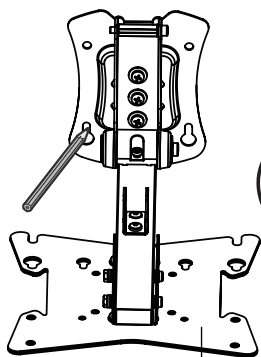
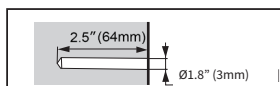
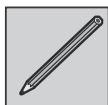
Using 4mm Allen Wrench **(T-A)**, loosen the screws to the VESA plate height adjustment so the VESA plate can freely move.



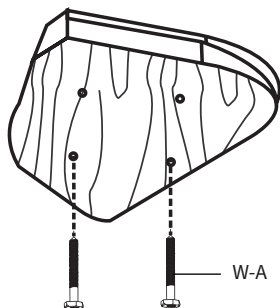
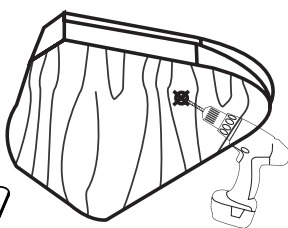
STEP 3

OPTION A: Wood Beam Ceiling

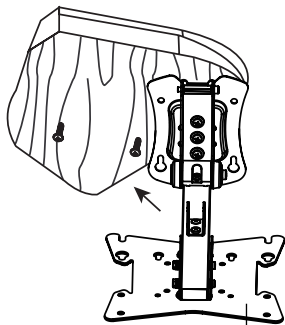
Hold Mount (A) to mounting surface and mark drill holes with pencil. Drill 2.5" (64mm) deep holes using a 1/8" (3mm) drill bit. Insert M6x60mm Screws (W-A) into front two holes, leaving 3mm of thread exposed. Slide Mount (A) onto front two screws. Insert M6x60mm Screws (W-A) with M6.5mm Washer (W-C) into back two holes. Tighten all screws. (**NOTE:** Wood beam must have a width of at least 5" to properly support the mount)



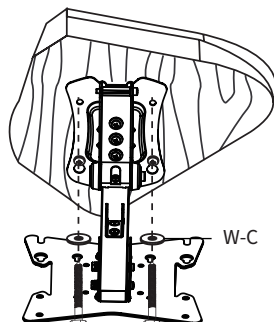
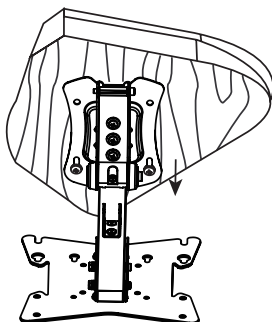
A



W-A



A



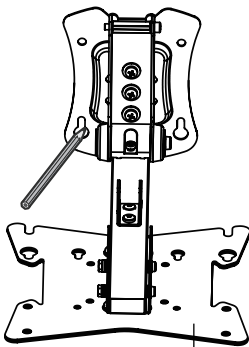
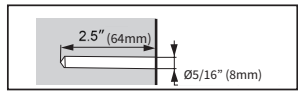
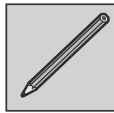
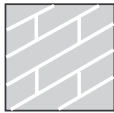
W-C

W-A

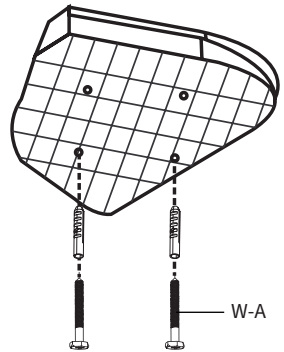
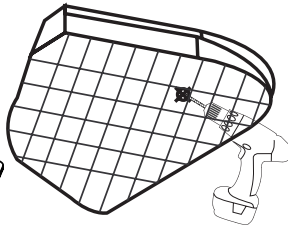
STEP 3 (Continued)

OPTION B: Concrete Ceiling

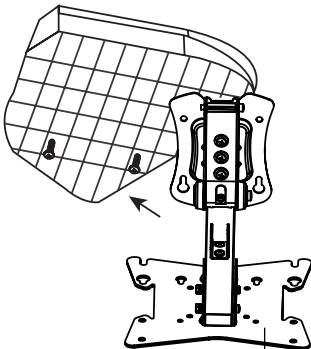
Hold Mount **(A)** to mounting surface and mark drill holes with pencil. Drill 2.5" (64mm) deep holes using a 5/16" (8mm) drill bit. Insert Anchors **(W-B)**. Insert M6x60mm Screws **(W-A)** into front two holes, leaving 3mm of thread exposed. Slide Mount **(A)** onto front two screws. Insert M6x60mm Screws **(W-A)** with M6.5mm Washers **(W-C)** into back two holes. Tighten all screws.



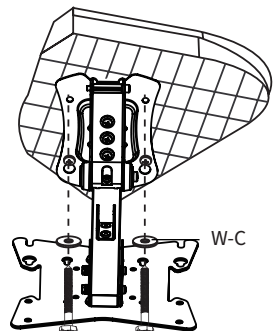
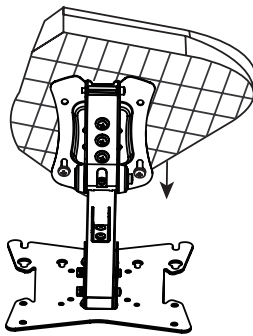
A



W-A



A

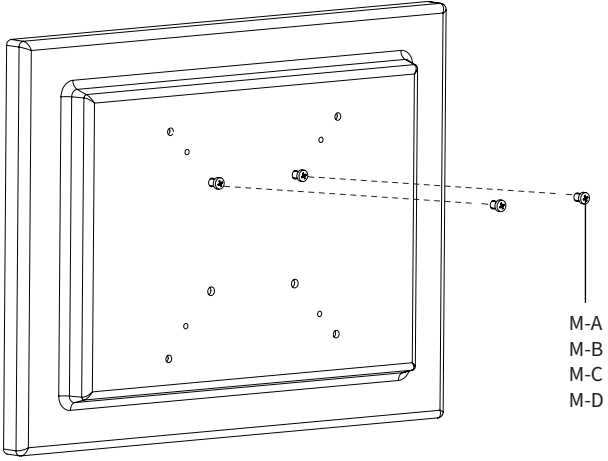


W-C

W-A

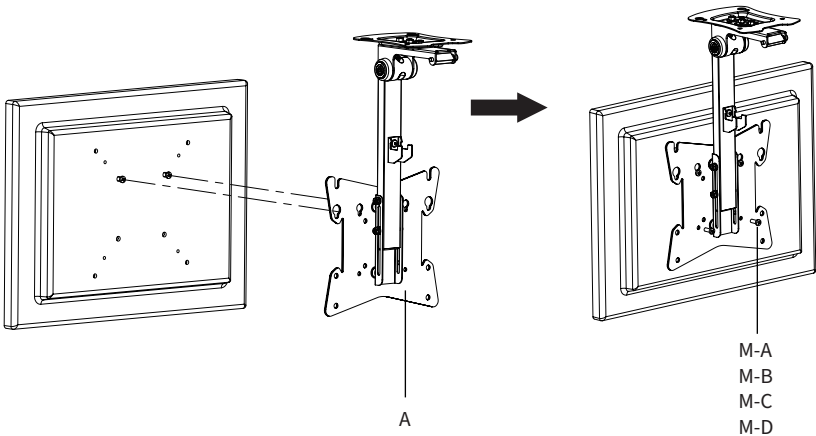
STEP 4

Loosely install Screws **(M-A through M-D)** (depending on your TV's needs) into the top two holes of the TV. Leave about 0.25" (6mm) sticking out of the TV.



STEP 5

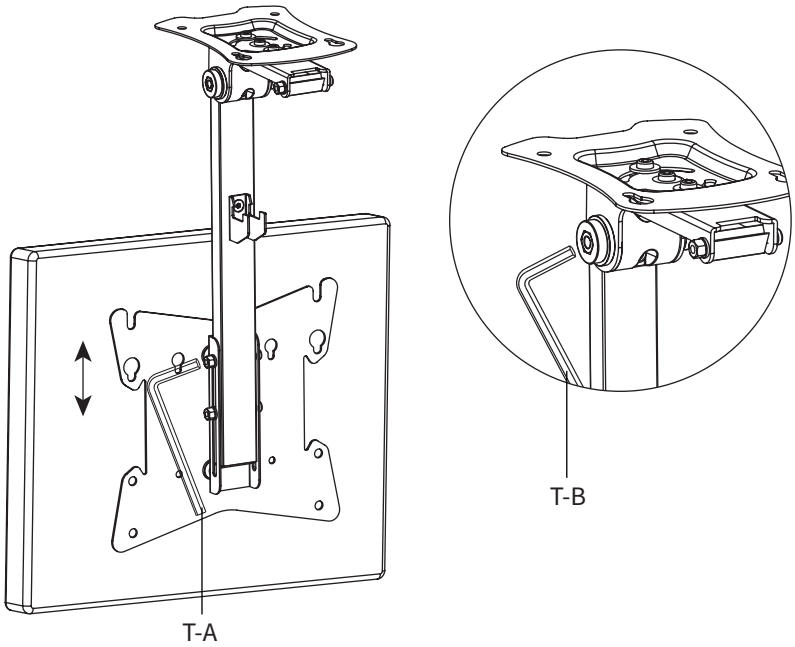
Install the TV onto Mount **(A)** using the keyholes. Install the remaining two Screws **(M-A through M-D)**. Fully tighten all screws using a Phillips screwdriver.



STEP 6

Tighten VESA plate height adjustment bolts using the 4mm Allen Wrench (**T-A**) once positioned at desired height. Adjust swivel hinge with 6mm Allen Wrench (**T-B**).

Push the TV all the way up to the ceiling to engage the lock, securing the TV in the raised position. Push up again to disengage the lock and lower the TV.





Open **Monday - Friday 7:00am - 7:00pm** CST,
our dedicated support team can offer immediate assistance with rapid response times. If any parts are received damaged or defective, please contact us. We are happy to replace parts to ensure you have a fully functioning product.



309-278-5303

AVG. RESOLUTION TIME (*within office hrs*): **5M 4S**



www.vivo-us.com
Chat live with an agent!

AVG. RESOLUTION TIME (*within office hrs*): **< 15 M**



help@vivo-us.com

AVG. RESPONSE TIME (*within office hrs*): **1HR 8M**

- 23% within < 15m
- 38% within < 30m
- 61% within < 1hr
- 83% within < 2hr
- 92% within < 3hr