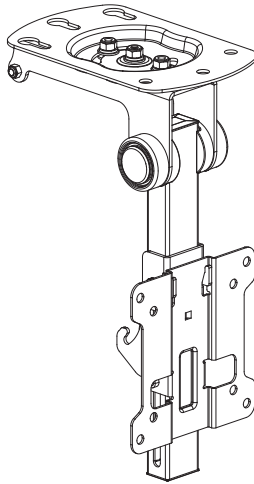




Flip Down Ceiling TV and Monitor Mount

Instruction Manual



SKU: MOUNT-M-FD27



Scan the QR code with your mobile device or follow the link for helpful videos and specifications related to this product.

<https://vivo-us.com/products/mount-m-fd27>

GET IN TOUCH | Monday-Friday from 7:00am-7:00pm CST



help@vivo-us.com



www.vivo-us.com
Chat live with an agent!

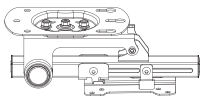


309-278-5303

WARNING!

If you do not understand these directions, or if you have any doubts about the safety of the installation, please call a qualified technician. Check carefully to make sure there are no missing or defective parts. Improper installation may cause damage or serious injury. Do not use this product for any purpose that is not explicitly specified in this manual. Do not exceed weight capacity. We cannot be liable for damage or injury caused by improper mounting, incorrect assembly or inappropriate use.

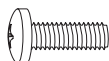
PACKAGE CONTENTS



A (x1)
Mount



M-A (x4)
M4x14mm Screw



M-B (x4)
M5x14mm Screw



M-C (x4)
M5 Washer



W-A (x4)
ST6.3x55mm Screw



W-B (x4)
concrete Anchor



W-C (x2)
M6 Washer



T-A (x1)
4mm Allen Wrench

NOTE: NOT ALL HARDWARE INCLUDED WILL BE USED

CAUTION!

DO NOT INSTALL INTO DRYWALL ALONE. VERIFY YOUR CEILING CONSTRUCTION. USE WOOD STUDS TO MOUNT. We include mounting for concrete ceilings as well. If unsure, please contact us at [vivo-us.com](mailto:help@vivo-us.com), email at help@vivo-us.com, or call us at 309-278-5303.

TOOLS NEEDED



Drill



**Phillips
Screwdriver**



Pencil



Studfinder

DO NOT EXCEED WEIGHT CAPACITY.

Failure to do so may result in serious injury.



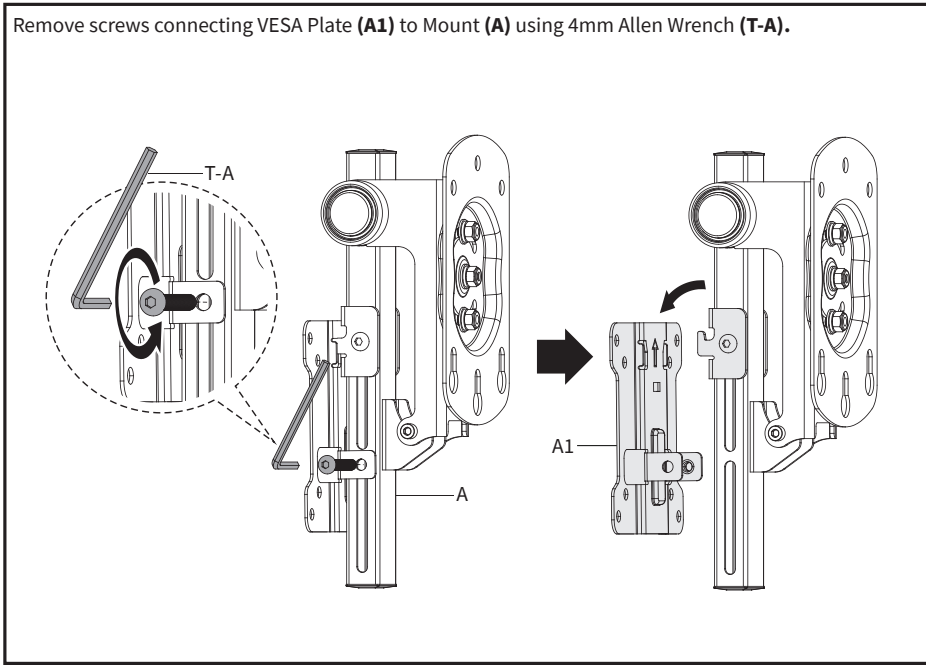
WARNING: CHOKING HAZARD

SMALL PARTS - NOT FOR CHILDREN UNDER 3 YEARS. ADULT SUPERVISION IS REQUIRED.

ASSEMBLY STEPS

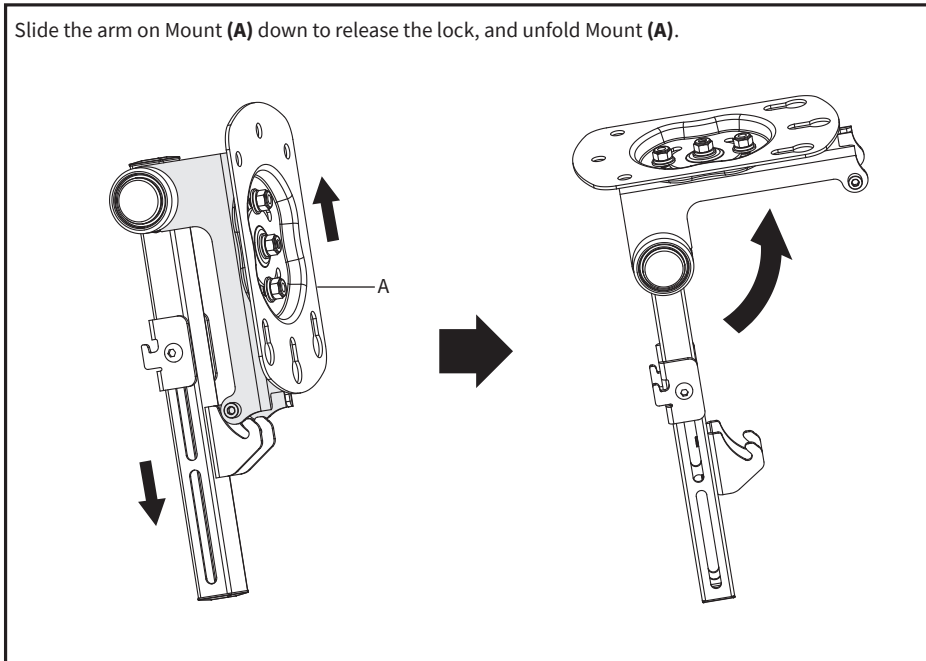
STEP 1

Remove screws connecting VESA Plate (A1) to Mount (A) using 4mm Allen Wrench (T-A).



STEP 2

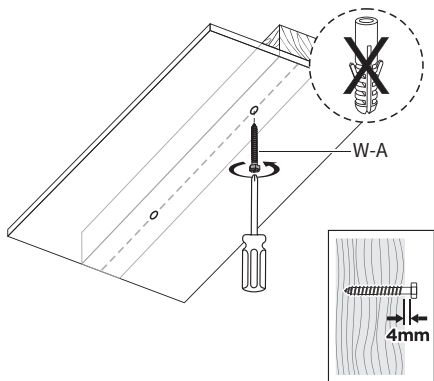
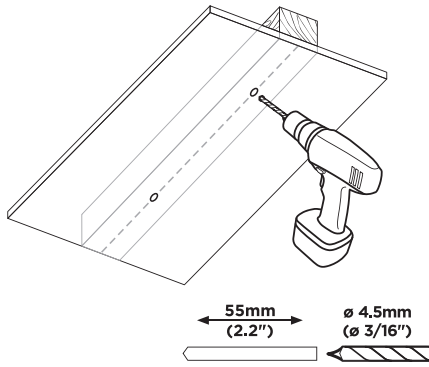
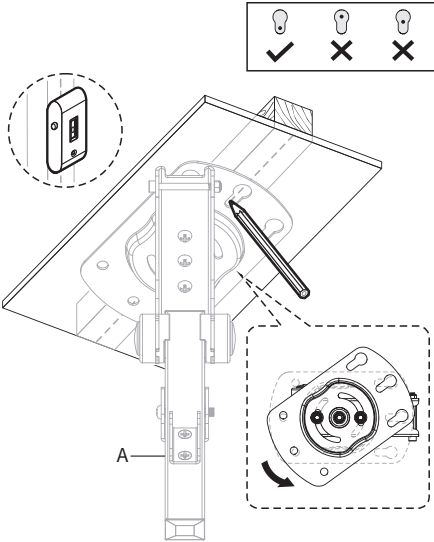
Slide the arm on Mount (A) down to release the lock, and unfold Mount (A).



STEP 3

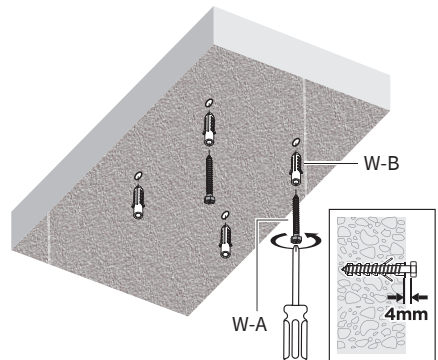
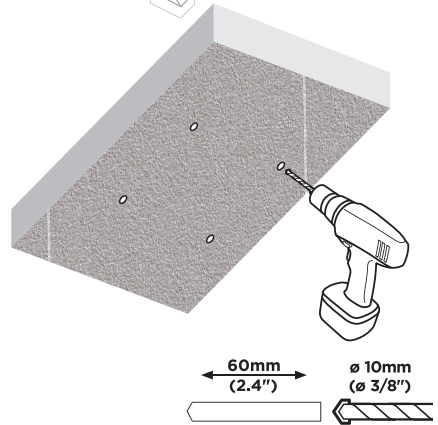
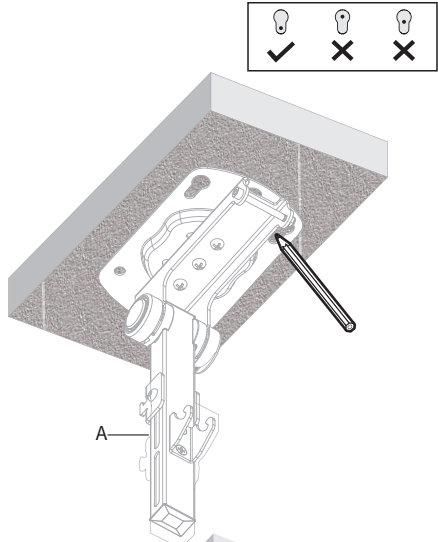
OPTION A: Wood Beam Ceiling

Rotate Mount (A) to expose the front and back mounting holes. Hold it in place along the stud (use of a stud finder is recommended) and mark pilot holes with a pencil. Drill 2.2" (55mm) deep holes using a 3/16" (4.5mm) drill bit. Insert ST6.3x55mm Screw (W-A) into the front hole, leaving 4mm of thread exposed.



OPTION B: Concrete Ceiling

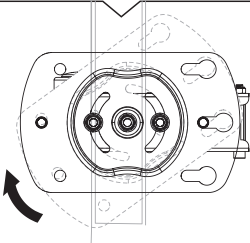
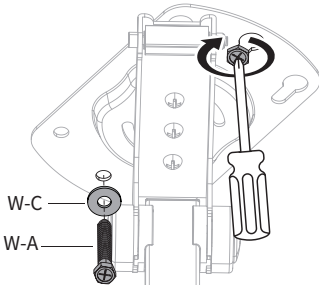
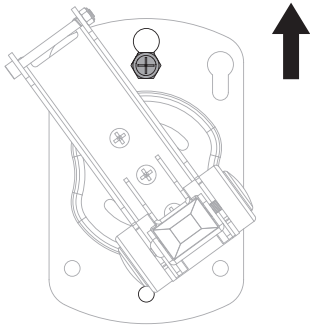
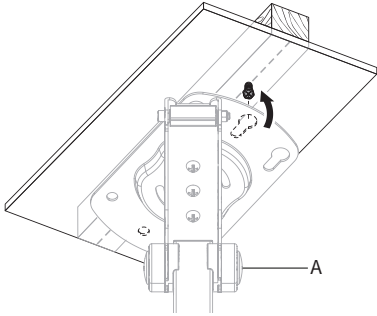
Hold Mount (A) to mounting surface and mark pilot holes with a pencil. Drill 2.4" (60mm) deep holes using a 3/8" (10mm) drill bit. Insert Concrete Anchors (W-B). Insert ST6.3x55mm Screws (W-A) into front two holes, leaving 4mm of thread exposed.



STEP 4

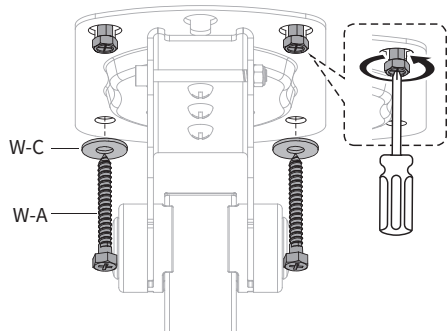
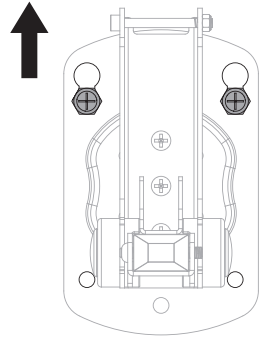
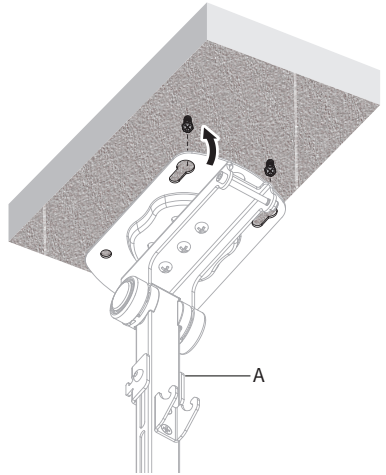
OPTION A: Wood Beam Ceiling

Slide Mount (A) onto ST6.3x55mm Screw (W-A). Insert ST6.3x55mm Screw (W-A) with M6 Washer (W-C) into the back hole. Tighten both screws with a Phillips screwdriver, and swivel Mount (A) back into place.



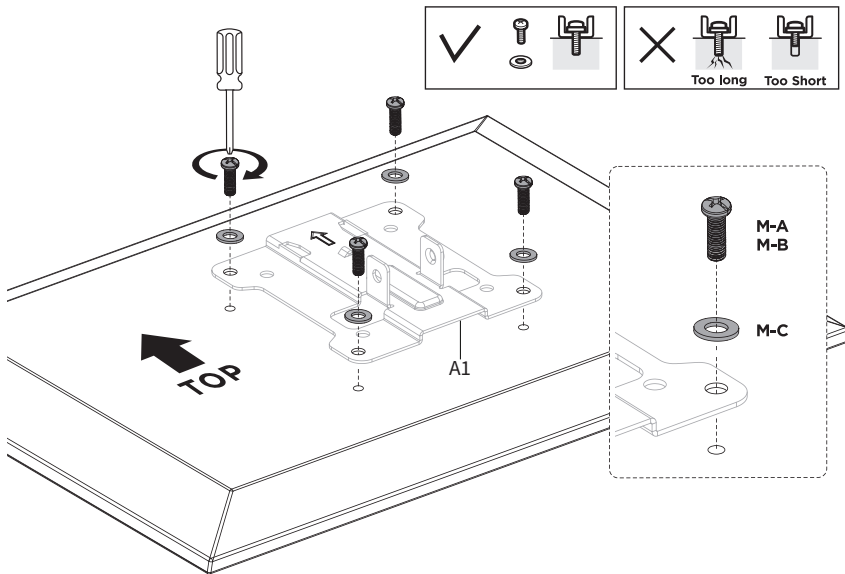
OPTION B: Concrete Ceiling

Slide Mount (A) onto front two ST6.3x55mm Screws. Insert ST6.3x55mm Screws (W-A) with M6 Washers (W-C) into back two holes. Tighten all screws with a Phillips screwdriver.



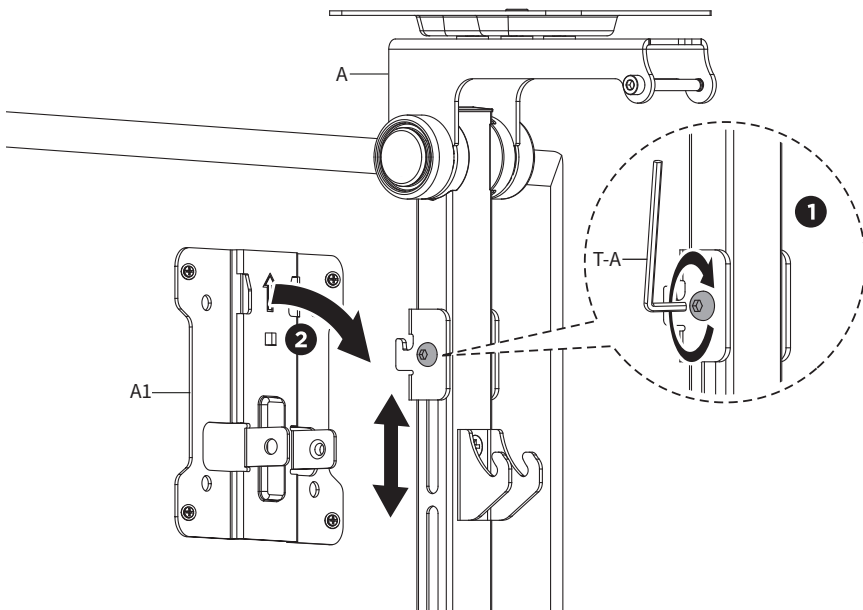
STEP 5

With TV laying face down on a flat surface, place VESA Plate **(A1)** on back. Make sure arrow is pointing towards the top of the TV. Secure VESA Plate **(A1)** in place using Screws **(M-A or M-B)** and M5 Washers **(M-C)**. Tighten using a Philips screwdriver.



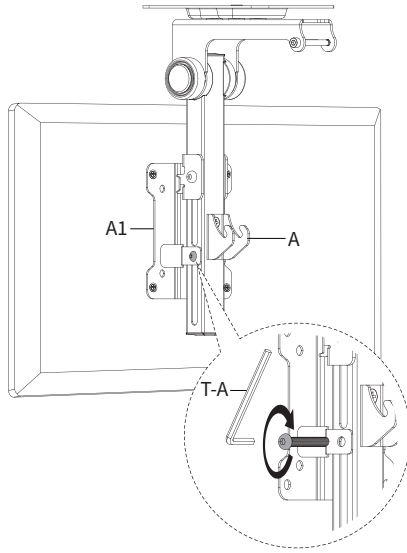
STEP 6

Loosen the screws on the sides of Mount **(A)** using 4mm Allen Wrench **(T-A)** to adjust the height, then retighten. Hang VESA Plate **(A1)** with TV on Mount **(A)**.



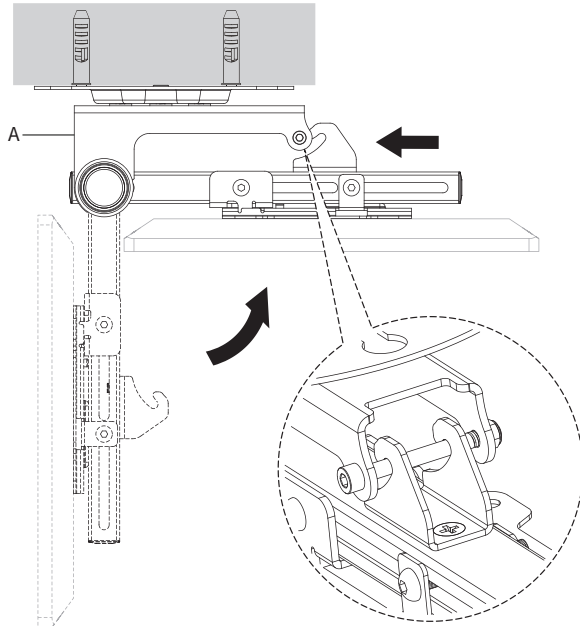
STEP 7

Secure VESA Plate (**A1**) to Mount (**A**) using the previously removed screws from STEP 1 and tighten using 4mm Allen Wrench (**T-A**).



STEP 8

Fold the arm on Mount (**A**) up and slide the TV forward to lock it into place. Reverse this process to unlock and lower the TV.





Open **Monday - Friday 7:00am - 7:00pm** CST,
our dedicated support team can offer immediate assistance with rapid response times. If any parts are received damaged or defective, please contact us. We are happy to replace parts to ensure you have a fully functioning product.



309-278-5303

AVG. RESOLUTION TIME (*within office hrs*): **5M 4S**



www.vivo-us.com
Chat live with an agent!

AVG. RESOLUTION TIME (*within office hrs*): **< 15 M**



help@vivo-us.com

AVG. RESPONSE TIME (*within office hrs*): **1HR 8M**

- 23% within < 15m
- 38% within < 30m
- 61% within < 1hr
- 83% within < 2hr
- 92% within < 3hr