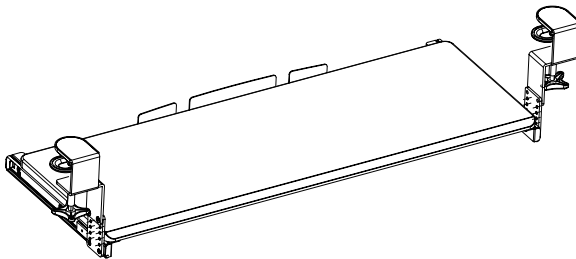




Black Height Adjustment Kit for Keyboard Tray Instruction Manual



SKU: MOUNT-KB5SP



Scan the QR code with your mobile device or follow the link for helpful videos and specifications related to this product.

<https://vivo-us.com/products/mount-kb5sp>

GET IN TOUCH | Monday-Friday from 7:00am-7:00pm CST



help@vivo-us.com



www.vivo-us.com
Chat live with an agent!



309-278-5303

! WARNING!

If you do not understand these directions, or if you have any doubts about the safety of the installation, please call a qualified technician. Check carefully to make sure there are no missing or defective parts. Improper installation may cause damage or serious injury. Do not use this product for any purpose that is not explicitly specified in this manual. Do not exceed weight capacity. We cannot be liable for damage or injury caused by improper mounting, incorrect assembly or inappropriate use.

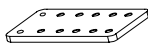
! WARNING: CHOKING HAZARD

SMALL PARTS - NOT FOR CHILDREN UNDER 3 YEARS. ADULT SUPERVISION IS REQUIRED.

PACKAGE CONTENTS



A (x10)
M4x7



B (x2)
Support Bracket

DO NOT EXCEED WEIGHT CAPACITY.
Failure to do so may result in serious injury.

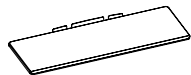
11lbs
(5kg)

TOOLS NEEDED



NOTE: NOT ALL HARDWARE INCLUDED WILL BE USED

PACKAGE CONTENTS (NOT INCLUDED)



C (x1)
Keyboard Tray



D (x2)
Slider Bracket



E (x2)
Clamp



F (x2)
Pad

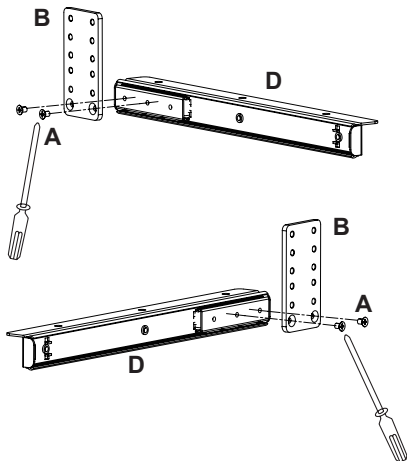


G (x8)
M5x12

ASSEMBLY STEPS

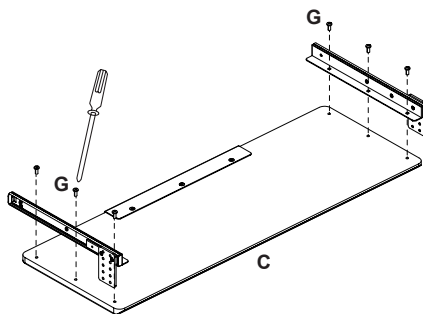
STEP 1

Assemble support brackets (**B**) to the slider brackets (**D**) using M4x7 screws (**A**). Ensure the screws are installed into the counter-sunk holes of the support brackets for proper fit. Tighten with a Phillips screwdriver.



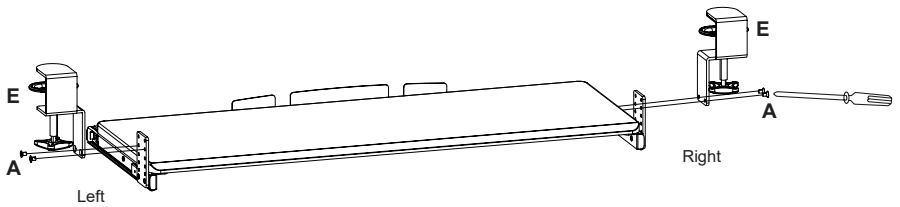
STEP 2

Assemble slider brackets (**D**) with support brackets (**B**) to the keyboard tray (**C**) using M5x12 screws (**G**), and tighten with a Phillips screwdriver. The support brackets (**B**) must be on the opposite end from the center cable guide.



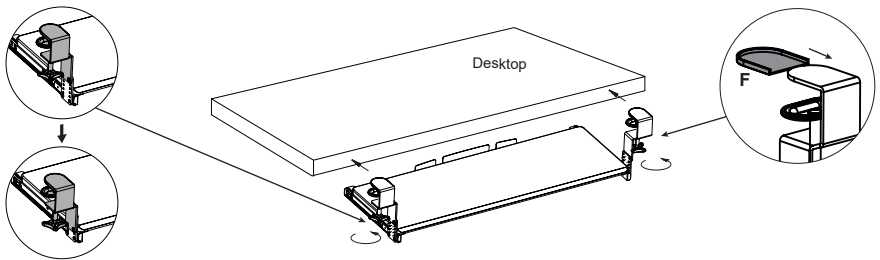
STEP 3

Assemble clamps (E) to support brackets (B) at desired height using M4x7 screws (A). Tighten with a Phillips screwdriver.



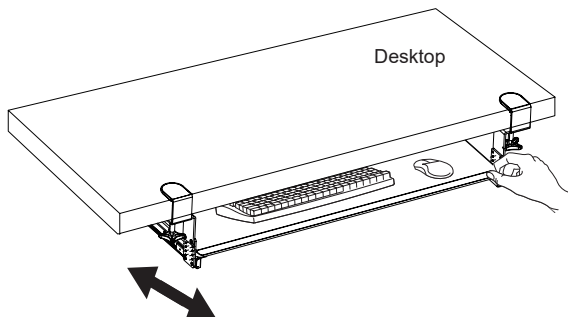
STEP 4

Place pads (F) on the underside of each clamp. Place assembled keyboard mount on edge of desk and tighten clamps. To change tray height, remove M4x7 screws (A) from clamps (E), then reinstall while holding keyboard tray at the desired height.
NOTE: To ensure keyboard tray is level, do not over-tighten clamps.



STEP 5

Place keyboard, mouse or other items on the keyboard tray. Slide keyboard tray forward/back to the desired position.






Open **Monday - Friday 7:00am - 7:00pm** CST,
our dedicated support team can offer immediate assistance with rapid response times. If any parts are received damaged or defective, please contact us. We are happy to replace parts to ensure you have a fully functioning product.


 help@vivo-us.com

AVG. RESPONSE TIME (*within office hrs*): **1HR 8M**

- 23% within < 15m
- 38% within < 30m
- 61% within < 1hr
- 83% within < 2hr
- 92% within < 3hr

 www.vivo-us.com
Chat live with an agent!

AVG. RESOLUTION TIME (*within office hrs*): **< 15 M**

 309-278-5303

AVG. RESOLUTION TIME (*within office hrs*): **5M 4S**