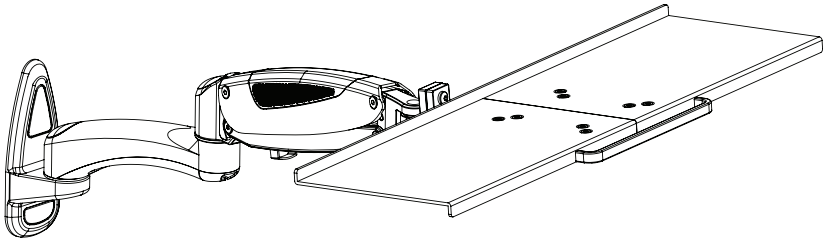




Black Pneumatic Wall Mounted Keyboard Tray Instruction Manual



SKU: MOUNT-KB35B



Scan the QR code with your mobile device or follow the link for helpful videos and specifications related to this product.

<https://vivo-us.com/products/mount-kb35b>

GET IN TOUCH | Monday-Friday from 7:00am-7:00pm CST



help@vivo-us.com



www.vivo-us.com
Chat live with an agent!



309-278-5303

 **WARNING!**

If you do not understand these directions, or if you have any doubts about the safety of the installation, please contact our product support team at 309-278-5303 or help@vivo-us.com for further assistance. Check carefully to make sure there are no missing or defective parts. Improper installation may cause damage or serious injury. Do not use this product for any purpose that is not explicitly specified in this manual. Do not exceed weight capacity. We cannot be liable for damage or injury caused by improper mounting, incorrect assembly or inappropriate use.

 **WARNING: CHOKING HAZARD**

SMALL PARTS - NOT FOR CHILDREN UNDER 3 YEARS. ADULT SUPERVISION IS REQUIRED.

 **DO NOT EXCEED WEIGHT CAPACITY.**
Failure to do so may result in serious injury.



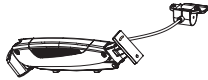
PACKAGE CONTENTS



A (x1)
Wall Plate



B (x1)
Arm Extension



C (x1)
Arm



D (x1)
Keyboard Bracket



E (x1)
Keyboard Tray Set



F (x1)
Handle



G (x1)
Wall Plate Cover



H (x2)
Cap



I (x5)
Velcro Pad



J (x1)
Connecting Plate



S-A (x8)
M5x10mm Screw



S-B (x4)
M4x6mm Screw



S-C (x2)
M6x16mm Screw



S-D (x2)
M6x25mm Spring Screw



S-E (x1)
M6 Washer



S-F (x2)
M4 Washer



M-A (x3)
M6x50mm Screw



M-B (x3)
Concrete Anchor



T-A (x1)
3mm Allen Wrench



T-B (x1)
4mm Allen Wrench



T-C (x1)
5mm Allen Wrench



T-D (x1)
Level

TOOLS NEEDED



Drill



Pencil



Stud Finder



Phillips Screwdriver

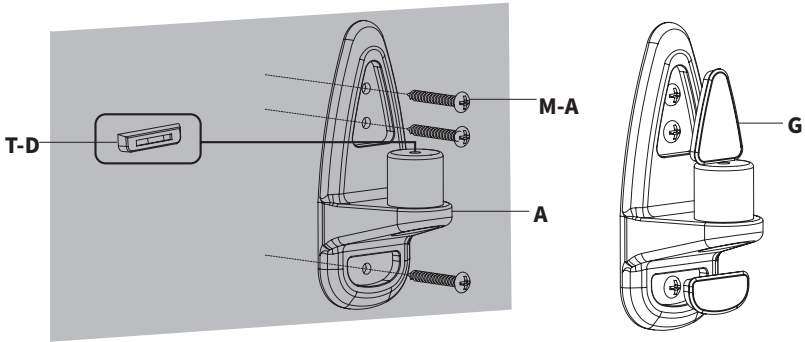
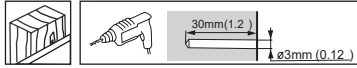
NOTE: SOME HARDWARE MAY NOT BE USED

ASSEMBLY STEPS

STEP 1

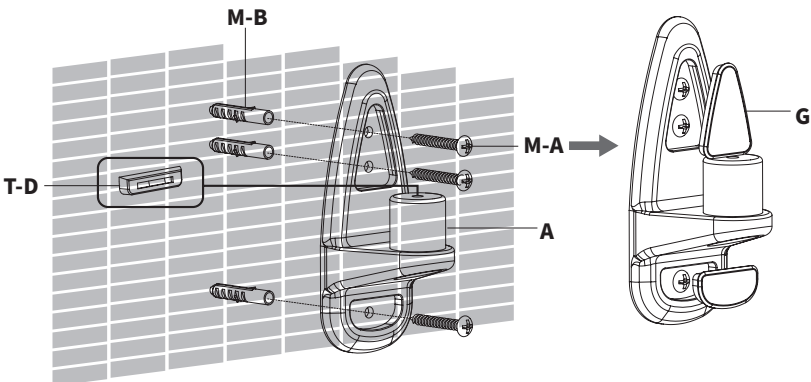
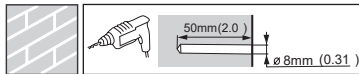
OPTION A: Wood Stud Installation

Place Wall Plate (A) against the wall and mark drilling locations with a pencil. Use of a stud finder and Level (T-D) is highly recommended. Drill 1.2" (30mm) deep holes using a .12" (3mm) bit, then attach Wall Plate (A) to wall using M6x50mm Screws (M-A) and a Phillips screwdriver. Assemble Wall Plate Covers (H) to Wall Plate (A).



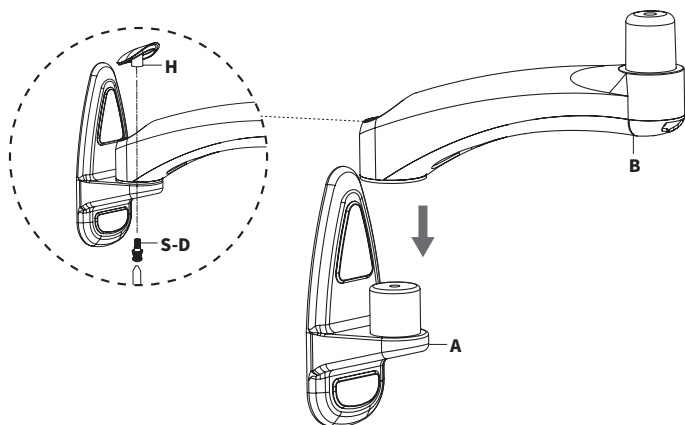
OPTION B: Concrete/Brick

Place Wall Plate (A) against the wall and mark drilling locations with a pencil. Use of a Level (T-D) is highly recommended. Drill 2" (50mm) deep holes using a .31" (8mm) bit, press Concrete Anchors (M-B) into holes, then attach Wall Plate (A) to wall using M6x50mm Screws (M-A) and a Phillips screwdriver. Assemble Wall Plate Covers (G) to Wall Plate (A).

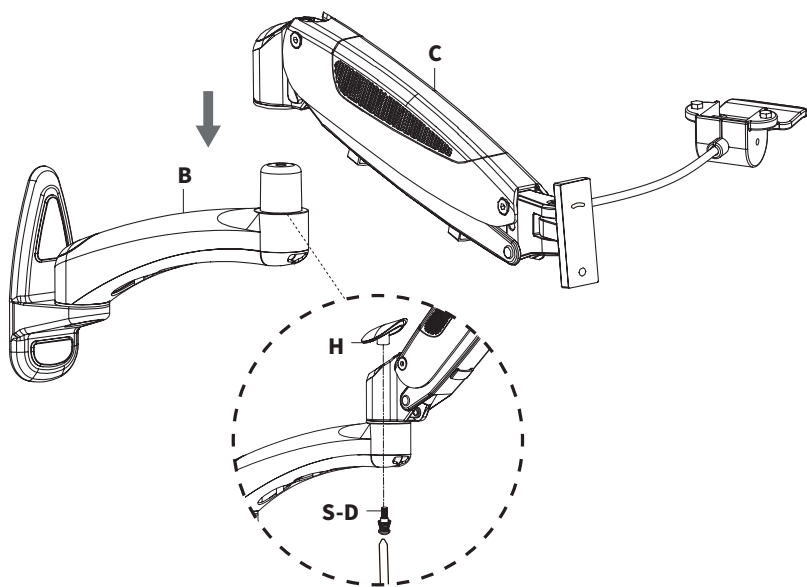


STEP 2

Slide Arm Extension **(B)** onto Wall Plate **(A)**. Secure using M6x25mm Spring Screw **(S-D)** and Cap **(H)** with a Phillips screwdriver.

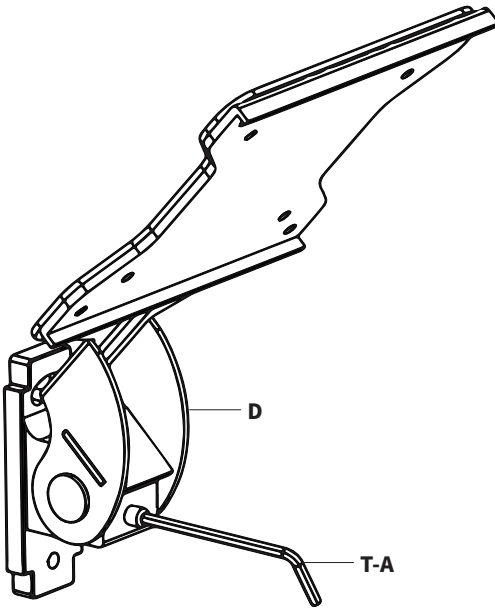
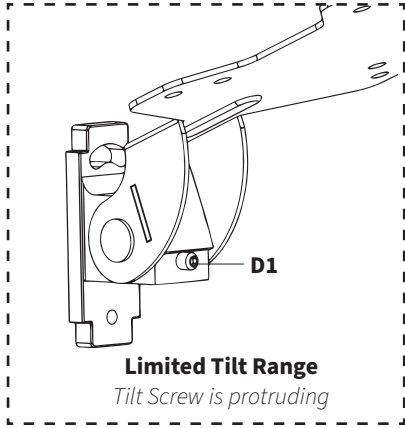
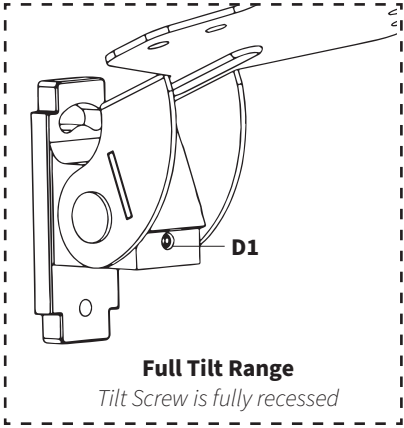


Place Arm **(C)** onto Arm Extension **(B)**. Secure using M6x25mm Spring Screw **(S-D)**, Cap **(H)**, and a Phillips screwdriver.



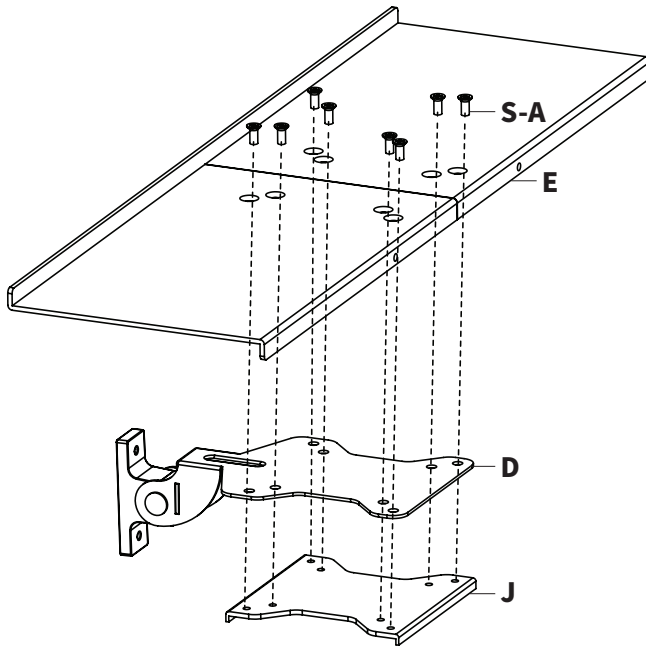
STEP 3

The Keyboard Bracket (**D**) features a tilt adjustment allowing you to use the full tilt range or limit the range, with a Tilt Screw (**D1**) under the bracket. Take note of the two positions below and then use 3mm Allen Wrench (**T-A**) to adjust the Tilt Screw (**D1**) so that it's in the limited range setting. This will aid in installing the Keyboard Tray in the next step.



STEP 4

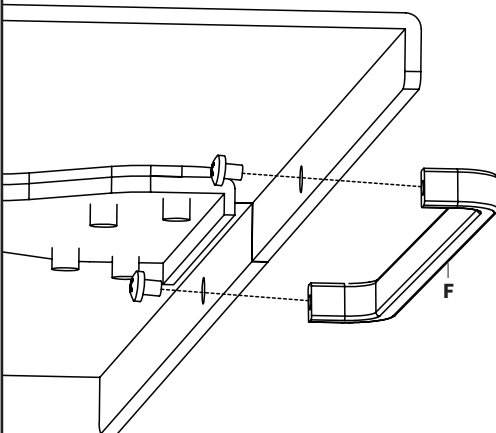
Assemble Keyboard Tray Set (E) to Keyboard Bracket (D) and Connecting Plate (J) using M5x10mm Screws (S-A) and a Phillips Screwdriver.



NOTE: Ensure the lip on Keyboard Tray Set (E) is facing up in the back and the handle mounting holes are in the front. Also ensure that the lips on Connecting Plate (J) are facing downward.

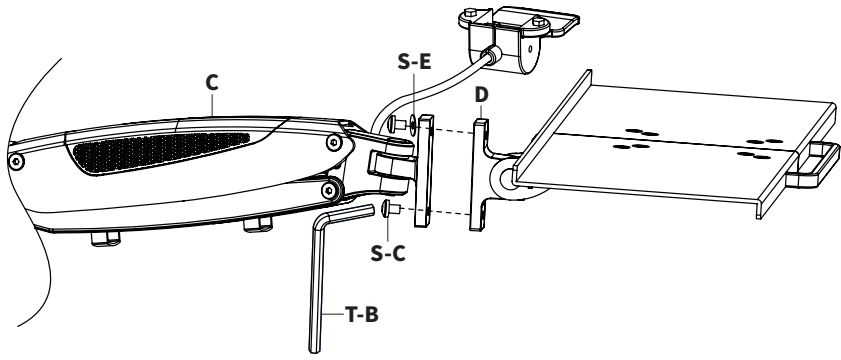
STEP 5

Attach Handle (F) to Keyboard Tray Set (E) using M4x6mm Screws (S-B) and a Phillips screwdriver.



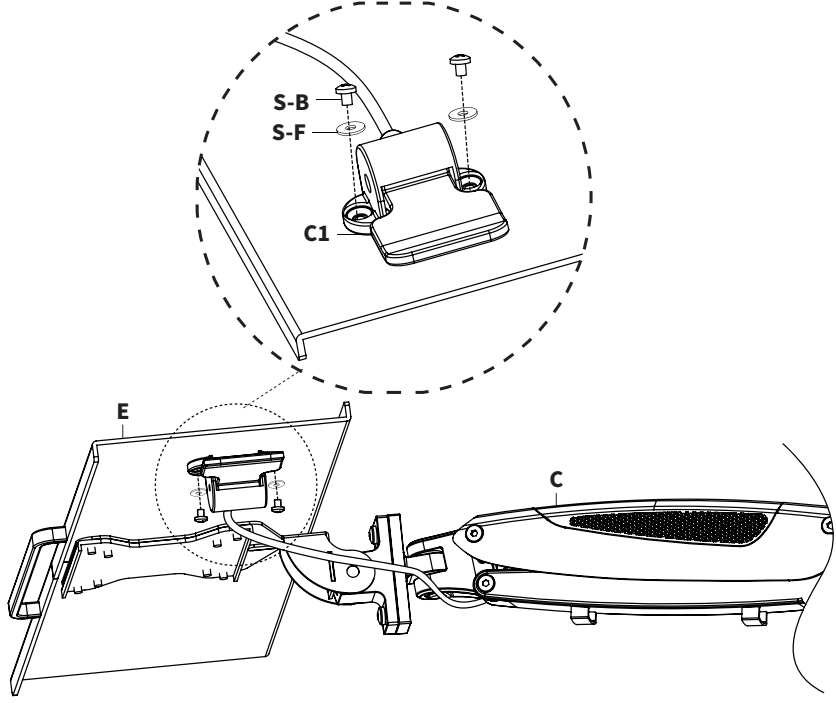
STEP 6

Attach Keyboard Bracket (D) to Arm (C) using M6x16mm Screws (S-C), M6 Washer (S-E), and 4mm Allen Wrench (T-B).



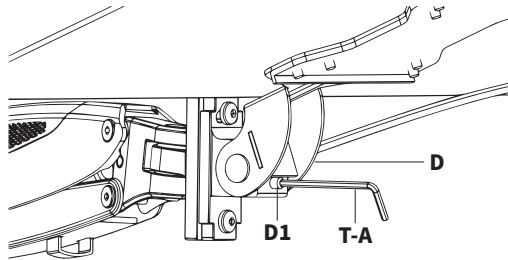
STEP 7

Attach the Lever (C1) from Arm (C) to Keyboard Tray (E) using M4x6mm Screws (S-B), M4 Washers (S-F), and a Phillips screwdriver.



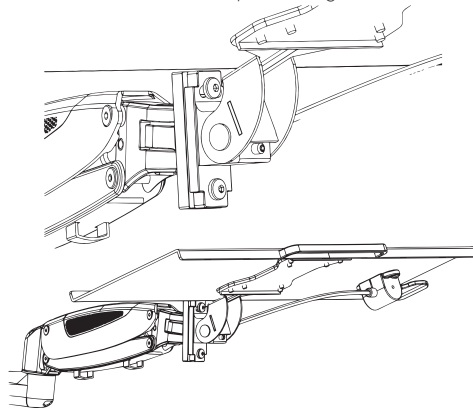
STEP 8

To set the tilt range, adjust the Tilt Screw (**D1**) on Keyboard Bracket (**D**) using 3mm Allen Wrench (**T-A**). When the Screw is protruding out, the keyboard tray has a limited range of tilt. The tray has full range of motion when the Screw is fully recessed into the Bracket.



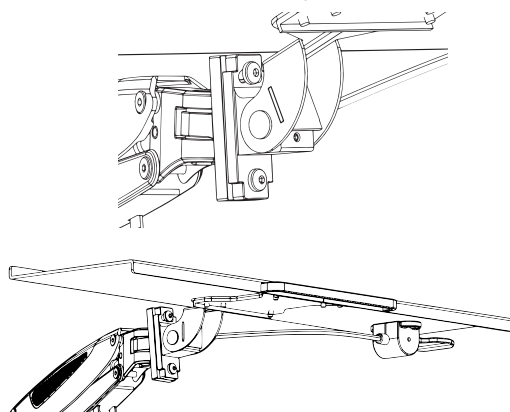
Limited Tilt Range

Tilt Screw is protruding



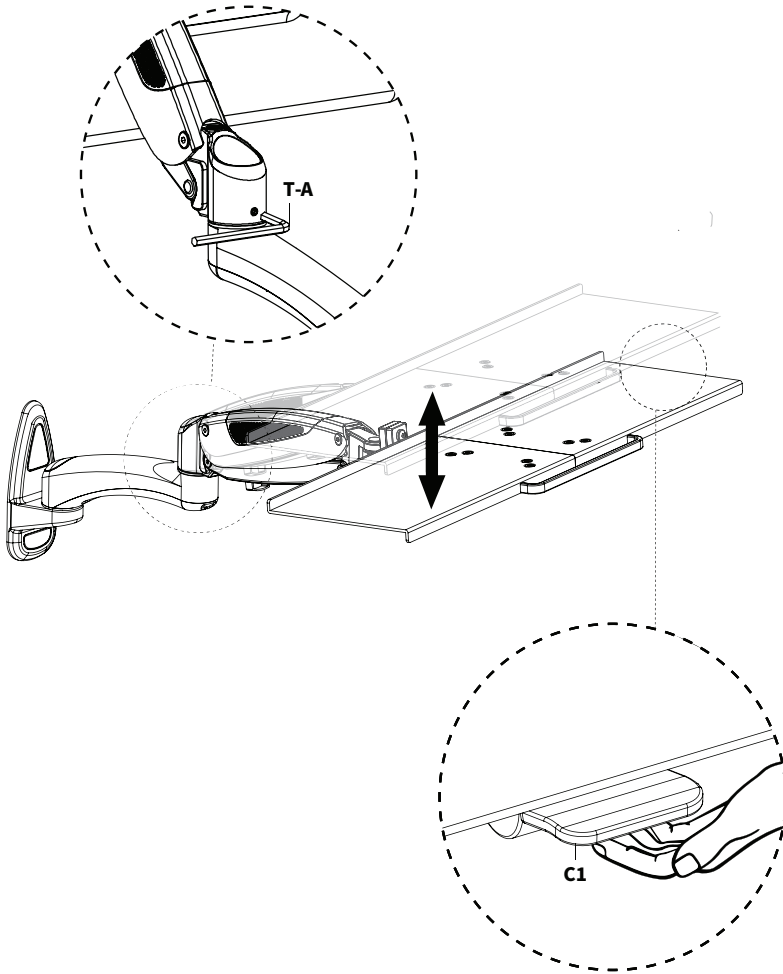
Full Tilt Range

Tilt Screw is fully recessed



STEP 9

Use 3mm Allen Wrench (**T-A**) to adjust the arm swivel points. Press and hold the Lever (**C1**) to adjust the height of the keyboard. Remove protective film from Velcro Pads (**I**) and apply to top of Keyboard Tray (**E**) to keep keyboard from slipping.



[THIS PAGE INTENTIONALLY LEFT BLANK]



Open **Monday - Friday 7:00am - 7:00pm** CST,
our dedicated support team can offer immediate assistance with rapid response times. If any parts are received damaged or defective, please contact us. We are happy to replace parts to ensure you have a fully functioning product.



309-278-5303

AVG. RESOLUTION TIME (*within office hrs*): **5M 4S**



www.vivo-us.com
Chat live with an agent!

AVG. RESOLUTION TIME (*within office hrs*): **< 15 M**



help@vivo-us.com

AVG. RESPONSE TIME (*within office hrs*): **1HR 8M**

- 23% within < 15m
- 38% within < 30m
- 61% within < 1hr
- 83% within < 2hr
- 92% within < 3hr