

# Black Pneumatic Wall Mounted Keyboard Tray

*SKU: MOUNT-KB35A*  
Instruction Manual

---

Assembly Video & Product Info  
[www.vivo-us.com/products/mount-kb35a](http://www.vivo-us.com/products/mount-kb35a)



# ! CAUTION! !

If you do not understand these directions, or if you have any doubts about the safety of the installation, please contact our product support team at 309-278-5303 or [help@vivo-us.com](mailto:help@vivo-us.com) for further assistance. Check carefully to make sure there are no missing or defective parts. Improper installation may cause damage or serious injury. Do not use this product for any purpose that is not explicitly specified in this manual. Do not exceed weight capacity. We cannot be liable for damage or injury caused by improper mounting, incorrect assembly or inappropriate use.



## WARNING: CHOKING HAZARD

SMALL PARTS - NOT FOR CHILDREN UNDER 3 YEARS. ADULT SUPERVISION IS REQUIRED.



## DO NOT EXCEED WEIGHT CAPACITY

FAILURE TO DO SO MAY RESULT IN SERIOUS INJURY.

---

## We're Here for You

Open **Monday - Friday 7:00am - 7:00pm CST**, our dedicated support team can offer immediate assistance with rapid response times. If any parts are received damaged or defective, please contact us. We are happy to replace parts to ensure you have a fully functioning product.



Give us a Call:  
**309-278-5303**

AVG. RESOLUTION TIME (*within office hrs*): **5M 4S**



Chat Us:  
**[www.vivo-us.com](http://www.vivo-us.com)**

AVG. RESOLUTION TIME (*within office hrs*): **< 15 M**



Email Us:  
**[help@vivo-us.com](mailto:help@vivo-us.com)**

AVG. RESPONSE TIME (*within office hrs*): **1HR 8M**

- 23% within < 15m
- 38% within < 30m
- 61% within < 1hr
- 83% within < 2hr
- 92% within < 3hr

---

## Tools Needed:



Drill



Pencil



Stud Finder



Phillips  
Screwdriver

## Weight Capacity:



## Package Contents



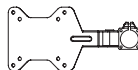
**A (x1)**  
Wall Plate



**B (x1)**  
Arm Extension



**C (x1)**  
Arm



**D (x1)**  
Keyboard Bracket



**E (x1)**  
Mount Fitting



**F (x1)**  
Keyboard Tray



**G (x1)**  
Handle



**H (x1)**  
Wall Plate Cover



**I (x2)**  
Cap



**J (x5)**  
Pad



**K (x1)**  
Connecting Plate

---

## Included Hardware & Tools



**S-A (x8)**  
M5x10mm Screw



**S-B (x2)**  
M4x6mm Screw



**S-C (x2)**  
M6x16mm Screw



**S-D (x1)**  
M5x18mm Screw



**S-E (x2)**  
M6x25mm Screw



**S-F (x1)**  
M6.5 Washer



**W-A (x3)**  
M6x50mm Screw



**W-B (x3)**  
Concrete Anchor



**T-A (x1)**  
3mm Allen Wrench



**T-B (x1)**  
4mm Allen Wrench



**T-C (x1)**  
5mm Allen Wrench



**T-D (x1)**  
Level

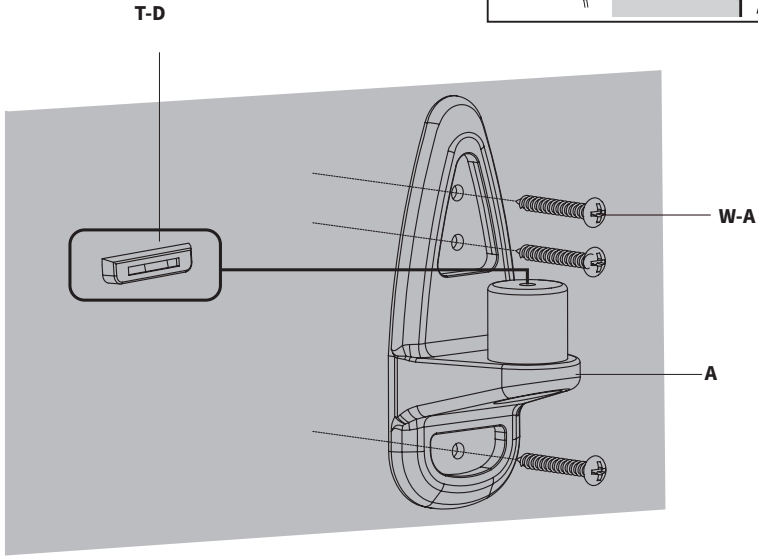
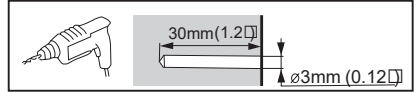
# ASSEMBLY STEPS

## STEP 1

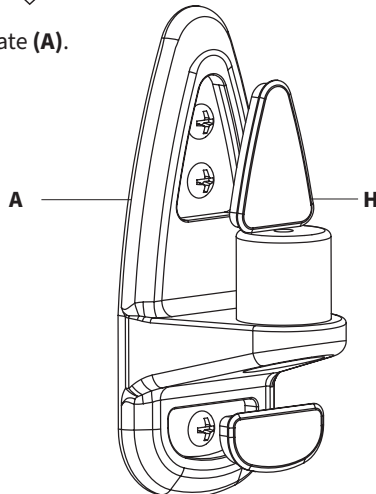
### OPTION A: Wood Stud Installation

Place Wall Plate (**A**) against the wall and mark drilling locations with a pencil. Use of a stud finder and Level (**T-D**) is highly recommended.

Drill 1.2" (30mm) deep holes using a .12" (3mm) bit, then attach Wall Plate (**A**) to wall using M6x50mm Screws (**W-A**) and a Phillips screwdriver.



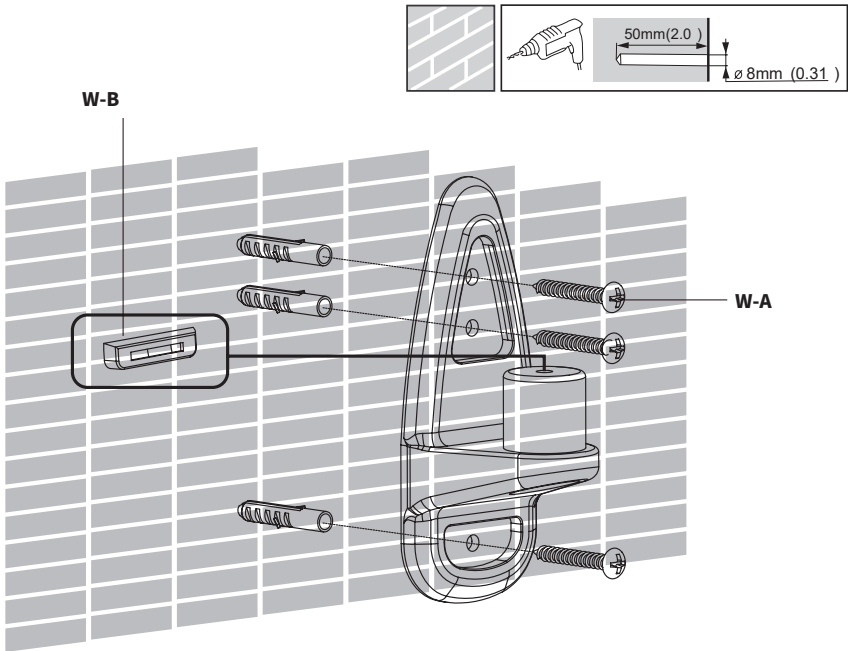
Assemble Wall Plate Covers (**H**) to Wall Plate (**A**).



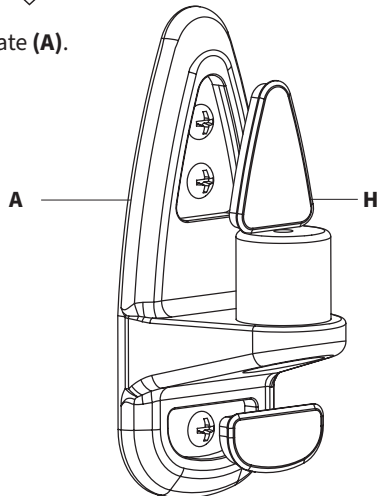
## OPTION B: Concrete / Brick Installation

Place Wall Plate (**A**) against the wall and mark drilling locations with a pencil. Use of a Level (**T-D**) is highly recommended.

Drill 2" (50mm) deep holes using a .31" (8mm) bit, press Concrete Anchors (**M-B**) into holes, then attach Wall Plate (**A**) to wall using M6x50mm Screws (**M-A**) and a Phillips screwdriver.

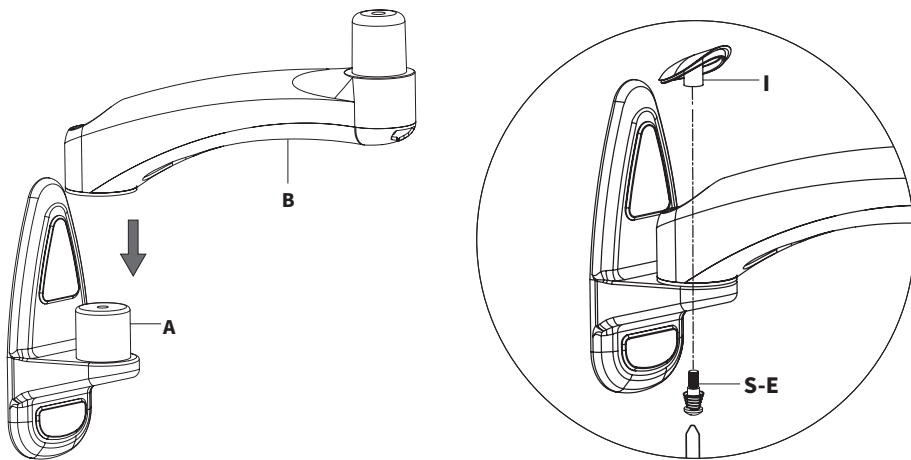


Assemble Wall Plate Covers (**H**) to Wall Plate (**A**).



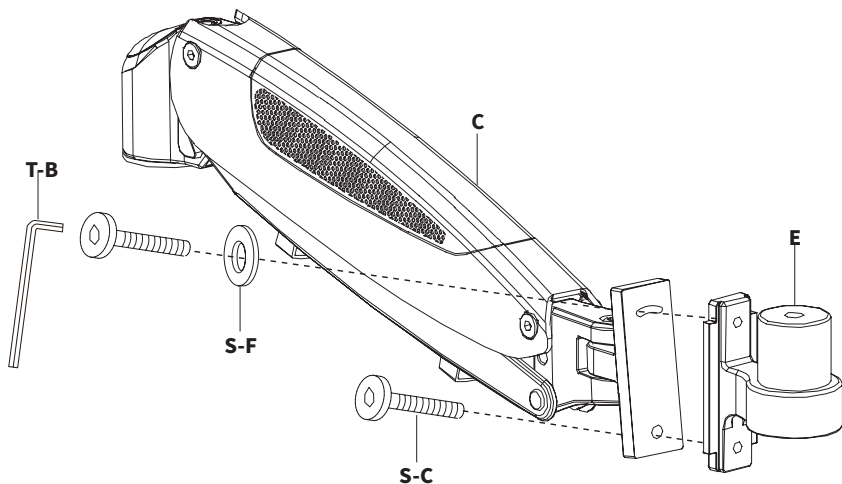
## STEP 2

Slide Arm Extension **(B)** onto Wall Plate **(A)**. Secure using M6x25mm Screw **(S-E)** and Cap **(I)** with a Phillips screwdriver.



## STEP 3

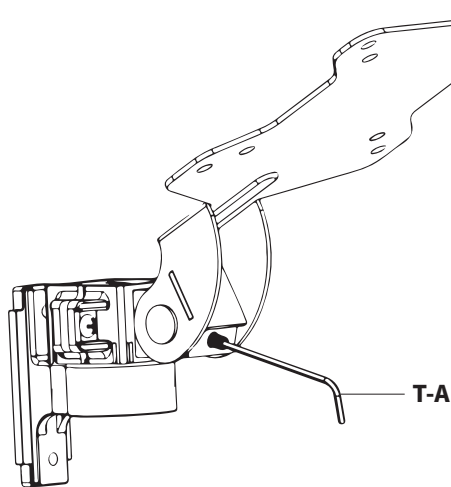
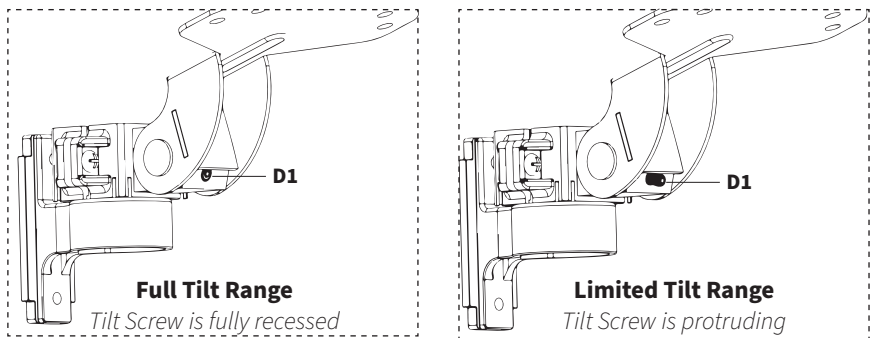
Attach Mount Fitting **(E)** to Arm **(C)** using M6x16mm Screws **(S-C)** and M6.5 Washer **(S-F)**. Use M6.5 Washer **(S-F)** with top screw inserted through slot. Tighten the M6x16mm Screws **(S-C)** using the 4mm Allen Wrench **(T-B)**.



## Tilt Adjustment

The Keyboard Bracket (**D**) features a tilt adjustment allowing you to use the full tilt range or limit the range, with a Tilt Screw (**D1**) under the bracket.

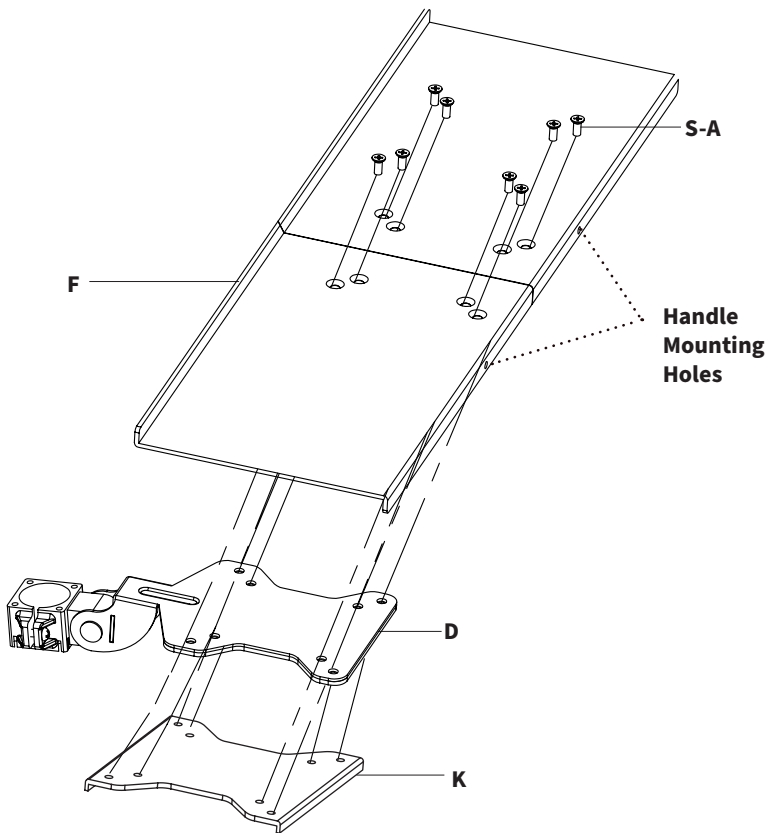
Take note of the two positions below and then use 3mm Allen Wrench (**T-A**) to adjust the Tilt Screw (**D1**) so that it's in the limited range setting. This will aid in installing the Keyboard Tray in the next step.



## STEP 4

Assemble both halves of Keyboard Tray (**F**) to Keyboard Bracket (**D**) and Connecting Plate (**K**) using M5x10mm Screws (**S-A**) and a Phillips screwdriver.

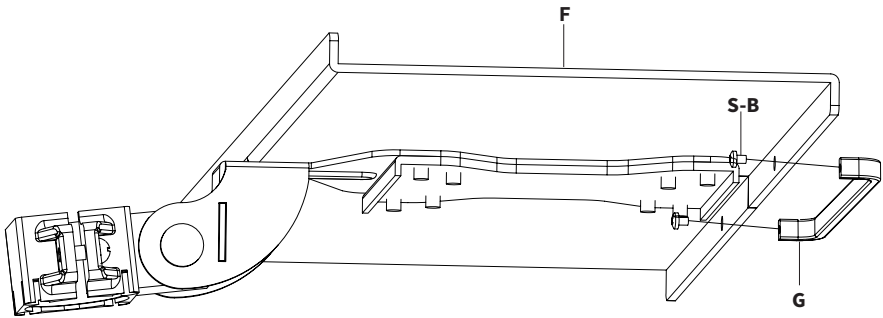
**NOTE:** Make sure the lip on Keyboard Tray (**F**) is facing up in the back, and the handle mounting holes are in the front.





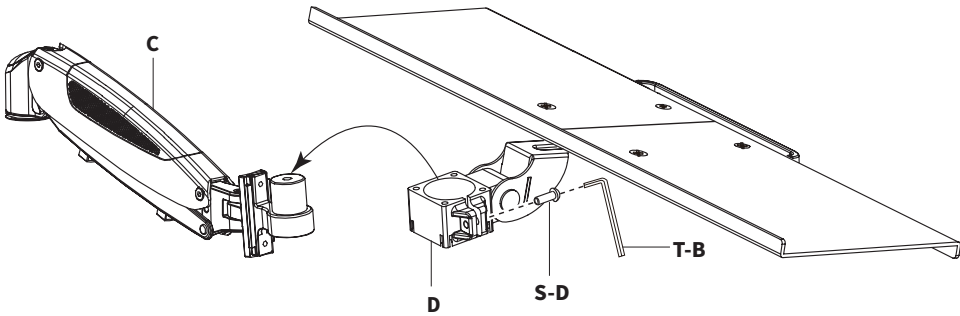
## STEP 5

Secure Handle (**G**) to Keyboard Tray (**F**) using M4x6mm Screws (**S-B**) and a Phillips screwdriver.



## STEP 6

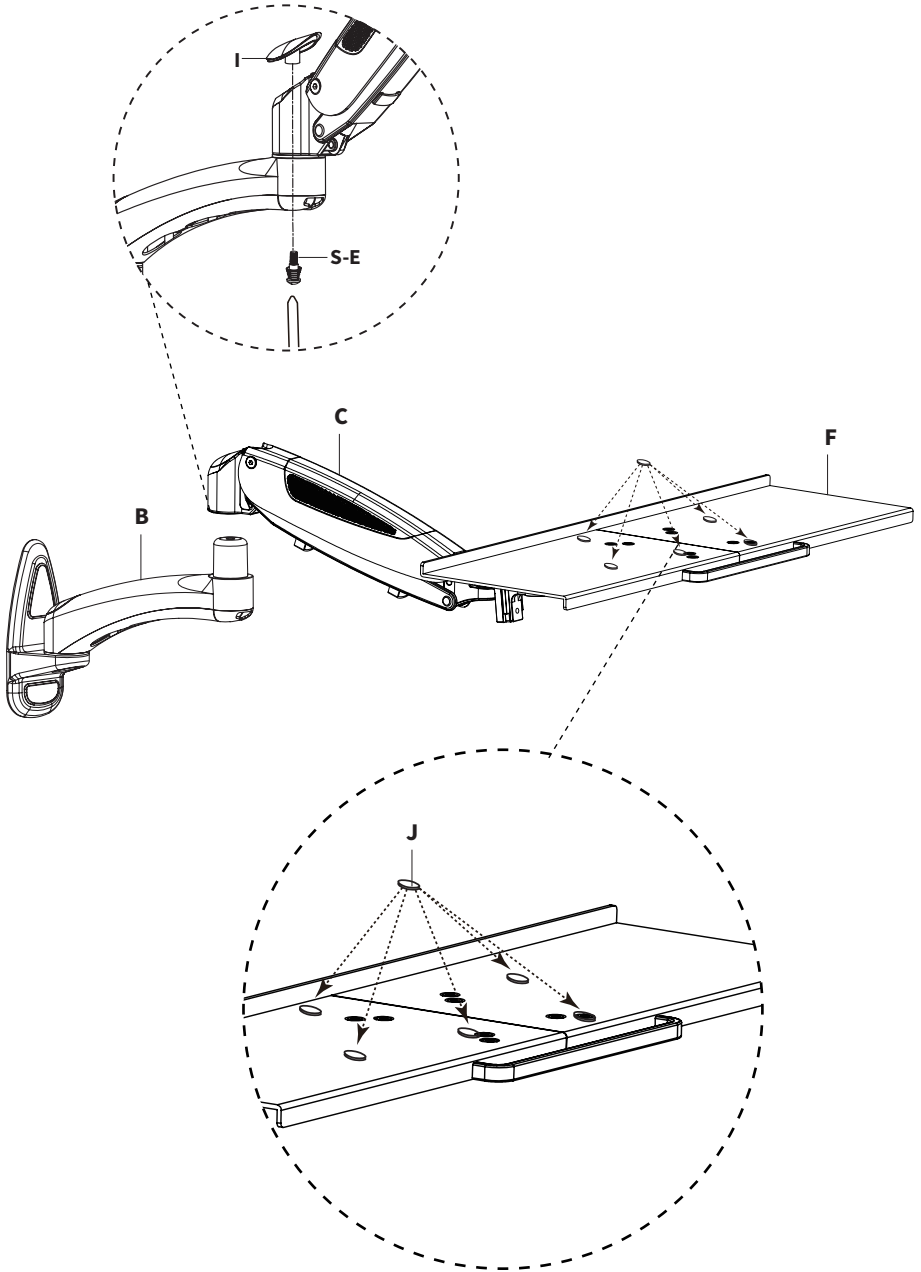
Mount Keyboard Bracket (**D**) to Arm (**C**) using M5x18mm Screw (**S-D**) and secure using 4mm Allen Wrench (**T-B**).



## STEP 7

Assemble Arm (C) to Arm Extension (B). Secure using M6x25mm Screw (S-E) and Cap (I) with a Phillips screwdriver.

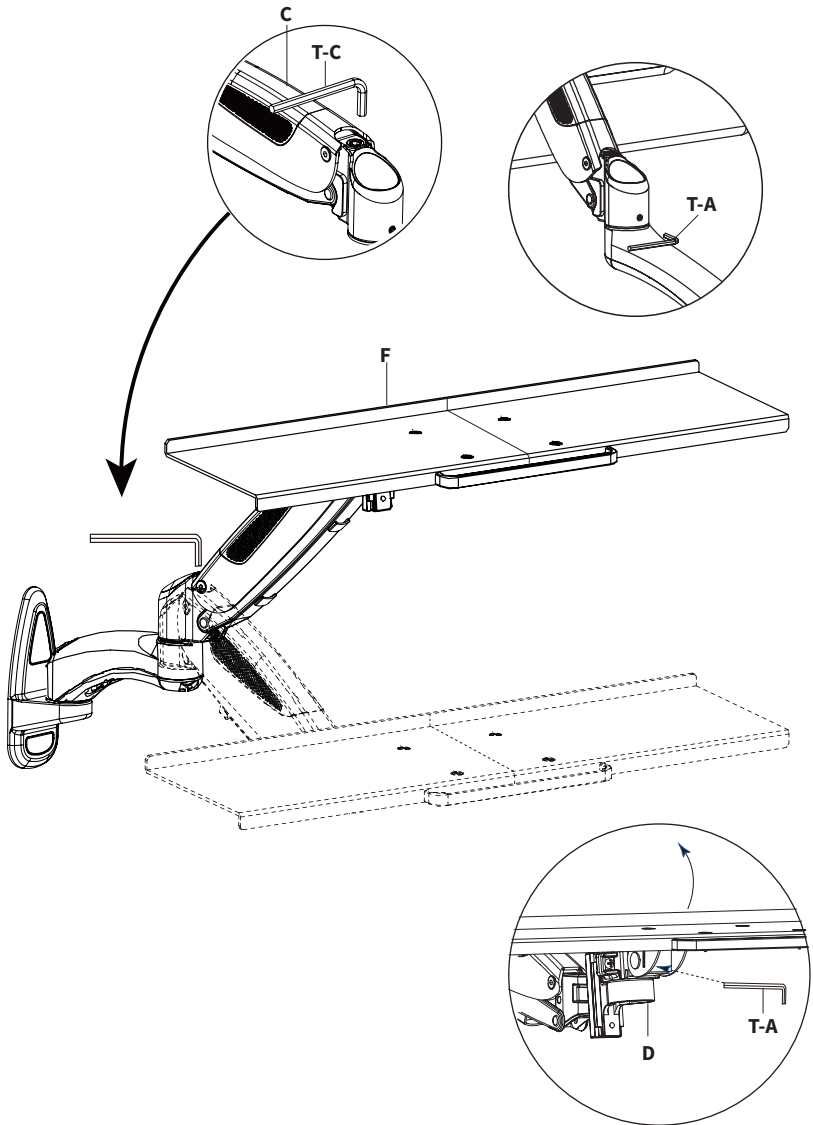
Remove adhesive backing from Pads (J) and place them on Keyboard Tray (F).



## STEP 8

Adjust the tension in Arm (C) using 5mm Allen Wrench (T-C). Turn clockwise to reduce tension for lighter keyboards and counter-clockwise to increase tension for heavier keyboards.

Lock the rotation of Arm (C) by tightening the set screw in back using 3mm Allen Wrench (T-A). Adjust Keyboard Tray (F) minimum tilt angle by turning the set screw under Keyboard Bracket (D) counter-clockwise using 3mm Allen Wrench (T-A).





## **Need Help? Get In Touch**

Monday-Friday from 7:00am-7:00pm CST



[help@vivo-us.com](mailto:help@vivo-us.com)



[www.vivo-us.com](http://www.vivo-us.com)

*Chat live with an agent!*



309-278-5303



**VIVO-us** @vivo\_us