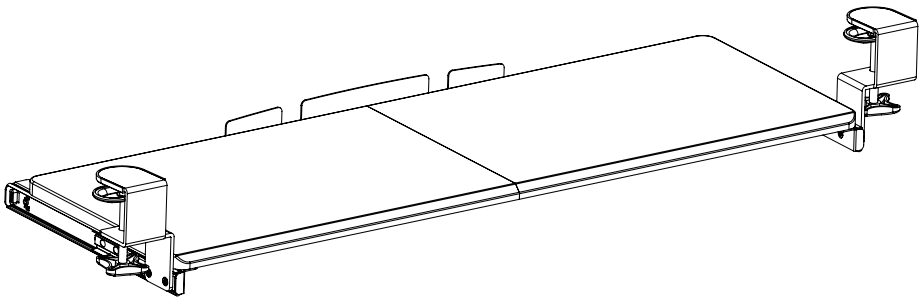


Clamp-on Extra Long Keyboard Tray

Instruction Manual



SKU: MOUNT-KB15EB/EN/EW



Scan the QR code with your mobile device or follow the link for helpful videos and specifications related to this product.
<https://vivo-us.com/products/mount-kb15eb>

GET IN TOUCH | Monday-Friday from 7:00am-7:00pm CST



help@vivo-us.com



www.vivo-us.com
Chat live with an agent!



309-278-5303

 **WARNING!**

If you do not understand these directions, or if you have any doubts about the safety of the installation, please contact our product support team at 309-278-5303 or help@vivo-us.com for further assistance. Check carefully to make sure there are no missing or defective parts. Improper installation may cause damage or serious injury. Do not use this product for any purpose that is not explicitly specified in this manual. Do not exceed weight capacity. We cannot be liable for damage or injury caused by improper mounting, incorrect assembly or inappropriate use.

 **WARNING: CHOKING HAZARD**

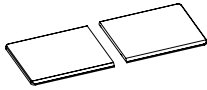
SMALL PARTS - NOT FOR CHILDREN UNDER 3 YEARS. ADULT SUPERVISION IS REQUIRED.

DO NOT EXCEED WEIGHT CAPACITY.

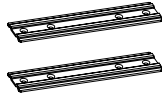
Failure to do so may result in serious injury.



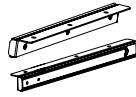
PACKAGE CONTENTS



A (x1)
Tray Set



B (x2)
Connecting
Brackets



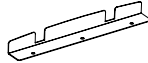
C (x2)
Slider Bracket



D (x2)
Clamp



E (x2)
Pad



F (x1)
Keyboard
Stop



S-A (x6)
M4x7mm
Screws



S-B (x8)
M5x12mm
Pan Head
Screws



S-C (x12)
M5x12mm
Flat Head
Screws

TOOLS NEEDED



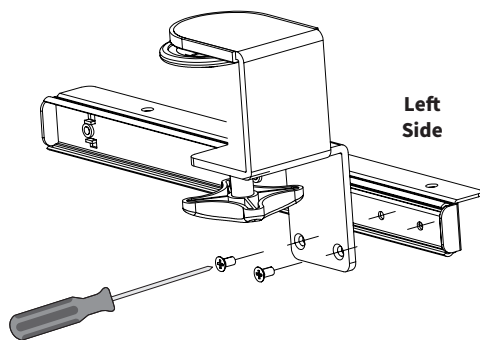
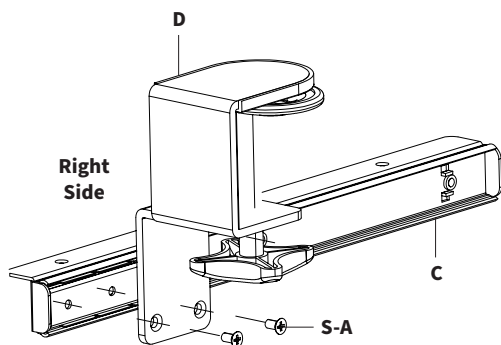
NOTE: SOME HARDWARE INCLUDED MAY NOT BE USED

ASSEMBLY STEPS

STEP 1

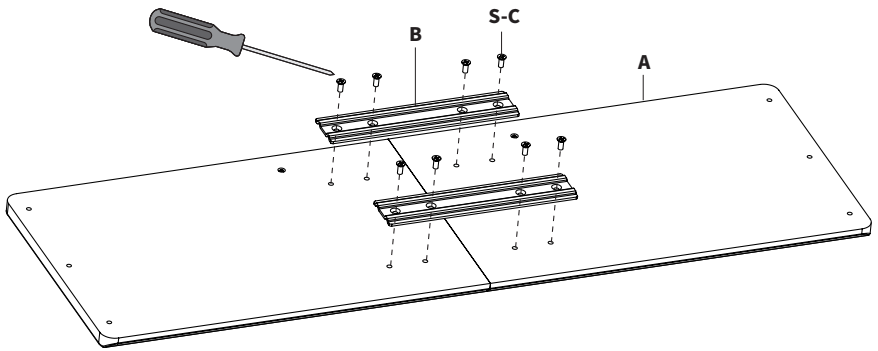
Assemble Slider Brackets (**C**) to Clamps (**D**) using M4x7mm Screws (**S-A**). Tighten with a Phillips screwdriver.

NOTE: Clamp can be offset using the extra holes in Slider Brackets (**C**) to allow the tray to be pulled out an extra 1.2" (30mm) when in use. If mounted this way the tray will sit further out from desk edge.

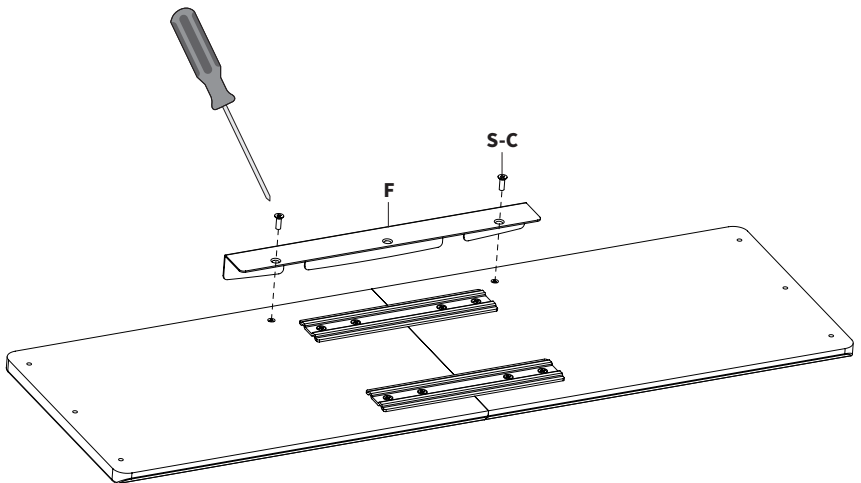


STEP 2

Assemble Keyboard Tray Set **(A)** together with Connecting Brackets **(B)** using M5x12mm Flathead Screws **(S-C)**. Tighten with a Phillips screwdriver.

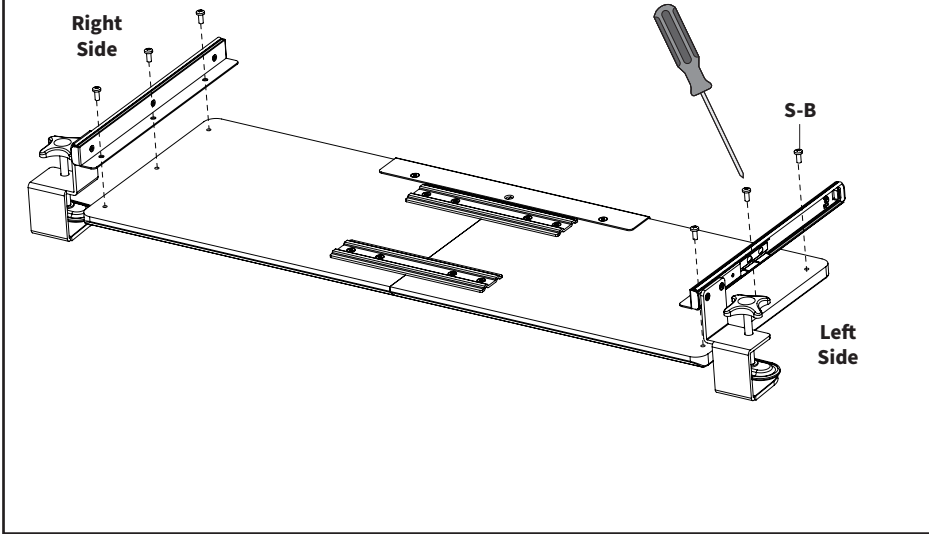


Attach Keyboard Tray Stop **(F)** to the underside of assembled keyboard tray using M5x12mm Flathead Screws **(S-C)**. Tighten with a Phillips screwdriver.



STEP 3

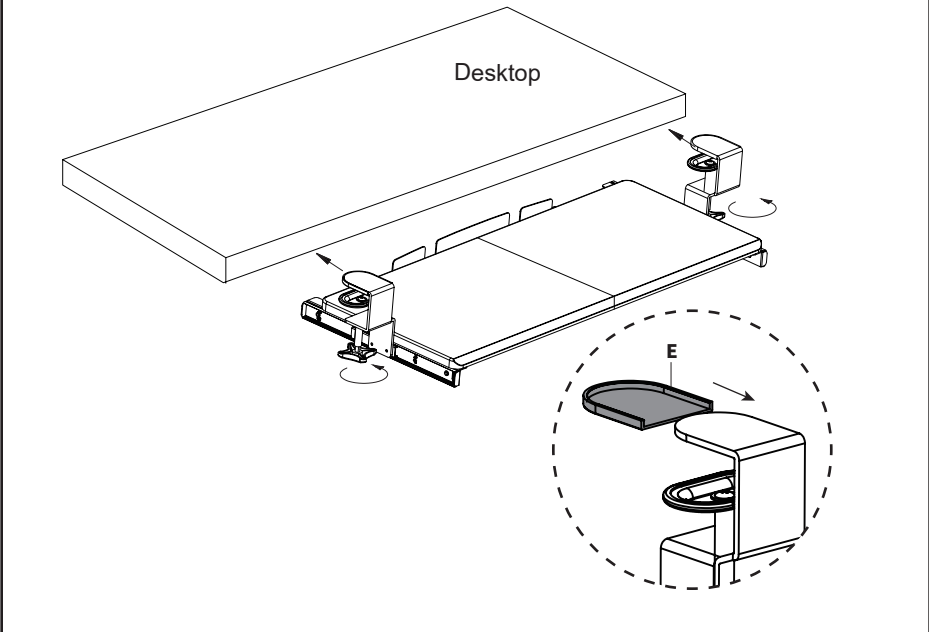
Assemble slider bracket assembly to tray assembly using M5x12mm screws (**S-B**), and tighten with a Phillips screwdriver. The clamps must be on the opposite end from the center cable guide.



STEP 4

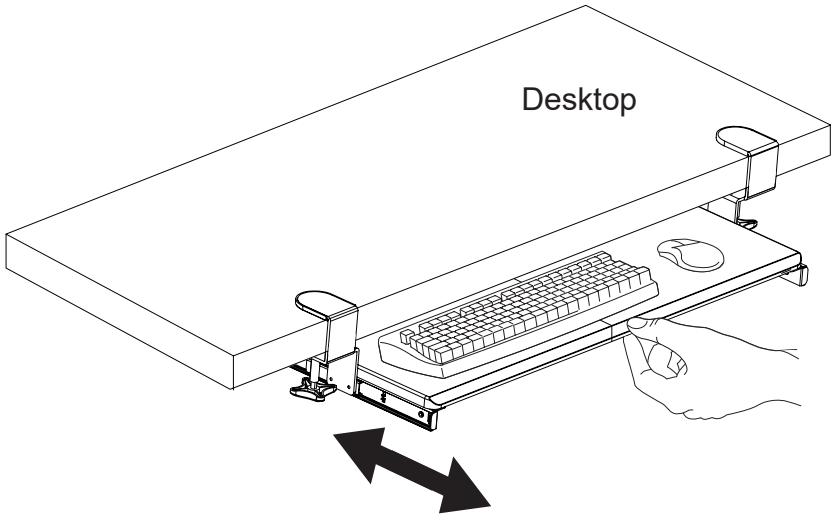
Place Pads (**E**) on the underside of each clamp. Place assembled keyboard mount on edge of desk and tighten clamps. **NOTE:** To ensure keyboard tray is level, do not over-tighten clamps.

Slide keyboard tray forward/back to desired position.



STEP 5

Slide keyboard tray forward/back to desired position.





Love your new VIVO setup and want to share?
Tag us in your photo! [@vivo_us](#)

LAST UPDATED: 08/04/2023
REV1.1



Open **Monday - Friday 7:00am - 7:00pm** CST,
our dedicated support team can offer immediate assistance with rapid response times. If any parts are received damaged or defective, please contact us. We are happy to replace parts to ensure you have a fully functioning product.



309-278-5303

AVG. RESOLUTION TIME (*within office hrs*): **5M 4S**



www.vivo-us.com
Chat live with an agent!

AVG. RESOLUTION TIME (*within office hrs*): **< 15 M**



help@vivo-us.com

AVG. RESPONSE TIME (*within office hrs*): **1HR 8M**

- 23% within < 15m
- 38% within < 30m
- 61% within < 1hr
- 83% within < 2hr
- 92% within < 3hr

FOR MORE VIVO PRODUCTS, CHECK OUT OUR WEBSITE AT: www.vivo-us.com