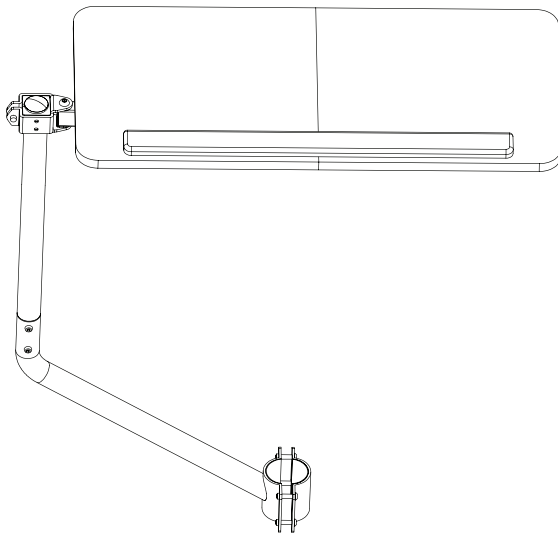




Black Office Chair Mounted Keyboard Tray

Instruction Manual



SKU: MOUNT-KB08C



Scan the QR code with your mobile device or follow the link for helpful videos and specifications related to this product.

<https://vivo-us.com/products/mount-kb08c>

GET IN TOUCH | Monday-Friday from 7:00am-7:00pm CST



help@vivo-us.com



www.vivo-us.com
Chat live with an agent!



309-278-5303

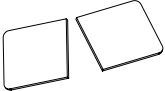
⚠ WARNING!

If you do not understand these directions, or if you have any doubts about the safety of the installation, please call a qualified technician. Check carefully to make sure there are no missing or defective parts. Improper installation may cause damage or serious injury. Do not use this product for any purpose that is not explicitly specified in this manual. Do not exceed weight capacity. We cannot be liable for damage or injury caused by improper mounting, incorrect assembly or inappropriate use.

⚠ WARNING: CHOKING HAZARD

SMALL PARTS - NOT FOR CHILDREN UNDER 3 YEARS. ADULT SUPERVISION IS REQUIRED.

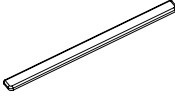
PACKAGE CONTENTS



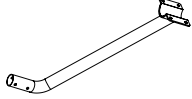
A (x1)
Keyboard
Tray Set



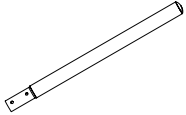
B (x1)
Arm



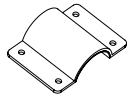
C (x1)
Wrist Rest



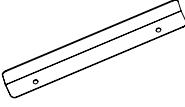
D (x1)
Angled Support



E (x1)
Vertical Support



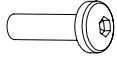
F (x1)
Clamping Plate



G (x1)
Keyboard Stop



S-A (x10)
M5x12mm Screw



S-B (x4)
M6x25mm Screw



S-C (x4)
M6x8mm Screw



T-A (x1)
5mm Allen Wrench



T-B (x1)
4mm Allen Wrench

DO NOT EXCEED WEIGHT CAPACITY.

Failure to do so may result in serious injury.

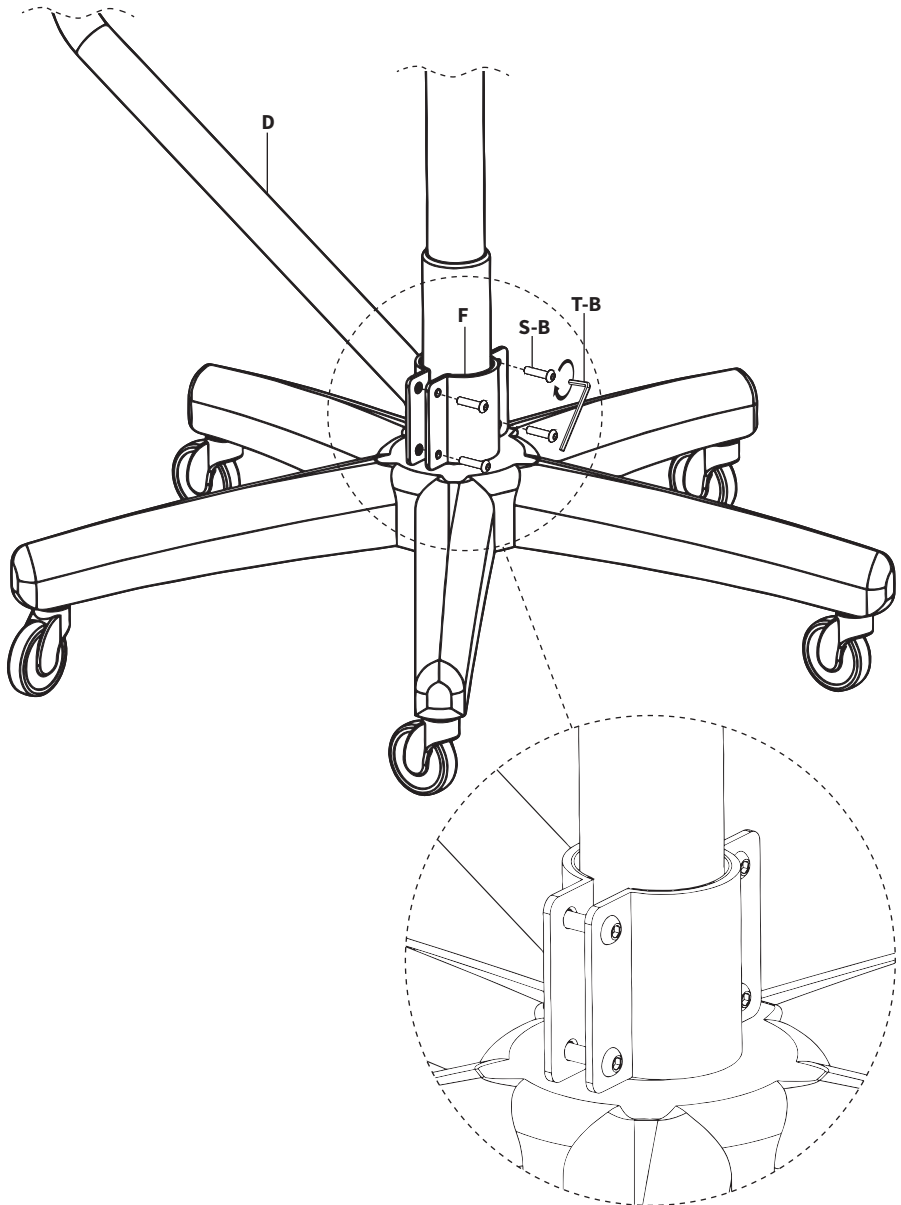


ASSEMBLY STEPS

STEP 1

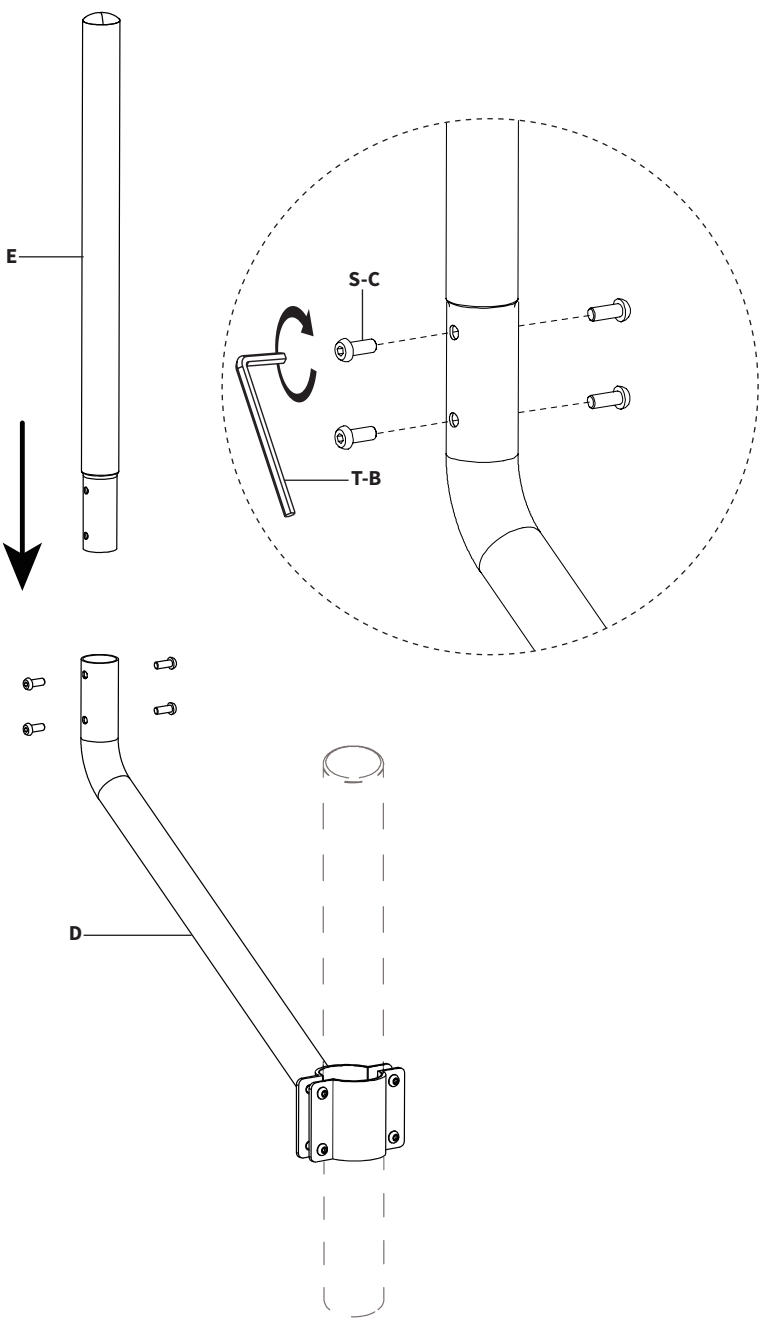
Mount Angled Support (**D**) to the larger diameter tube on the chair's gas spring using Clamping Plate (**F**), M6x25mm Screws (**S-B**), and 4mm Allen Wrench (**T-B**).

NOTE: This mount can fit pole diameters between 1.7" - 2" (44mm-51mm)



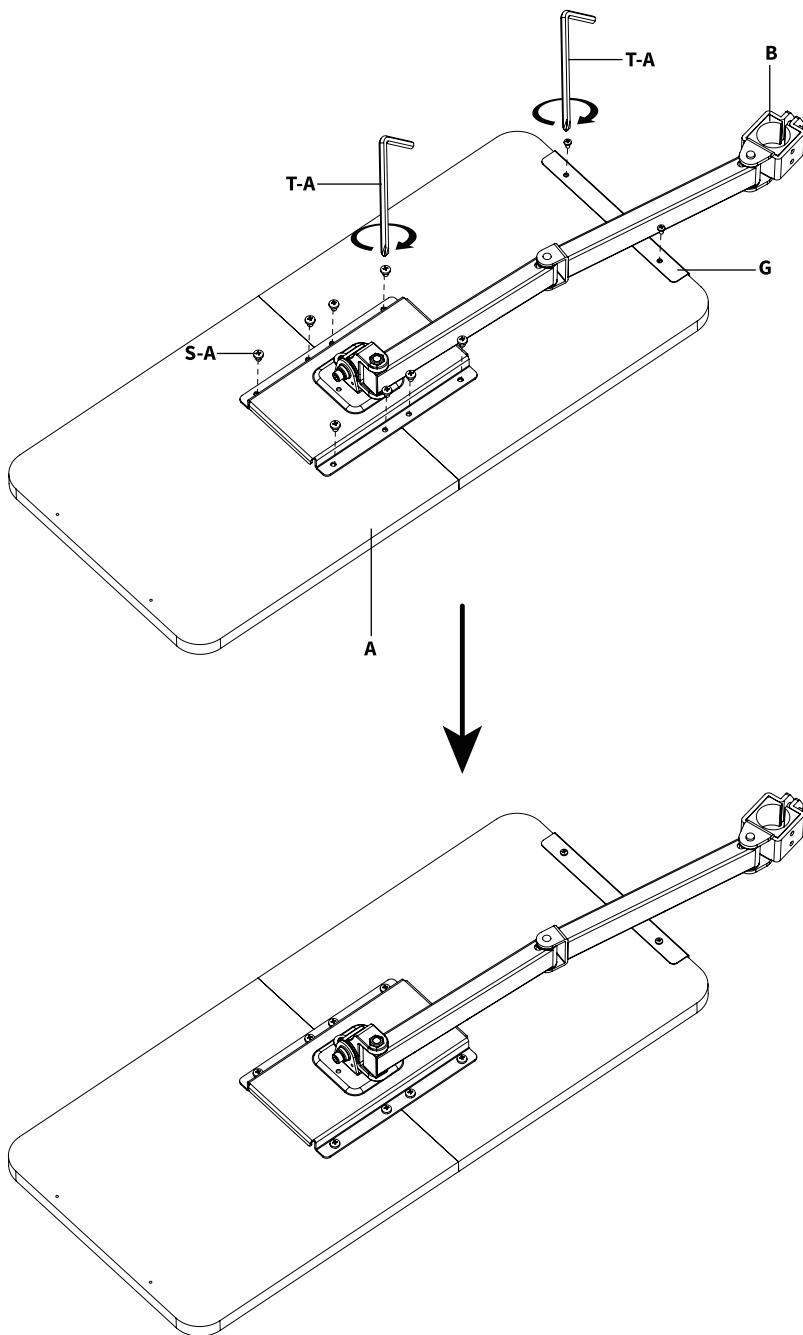
STEP 2

Attach Vertical Support (E) to Angled Support (D) using M6x8mm Screws (S-C) and 4mm Allen Wrench (T-B).



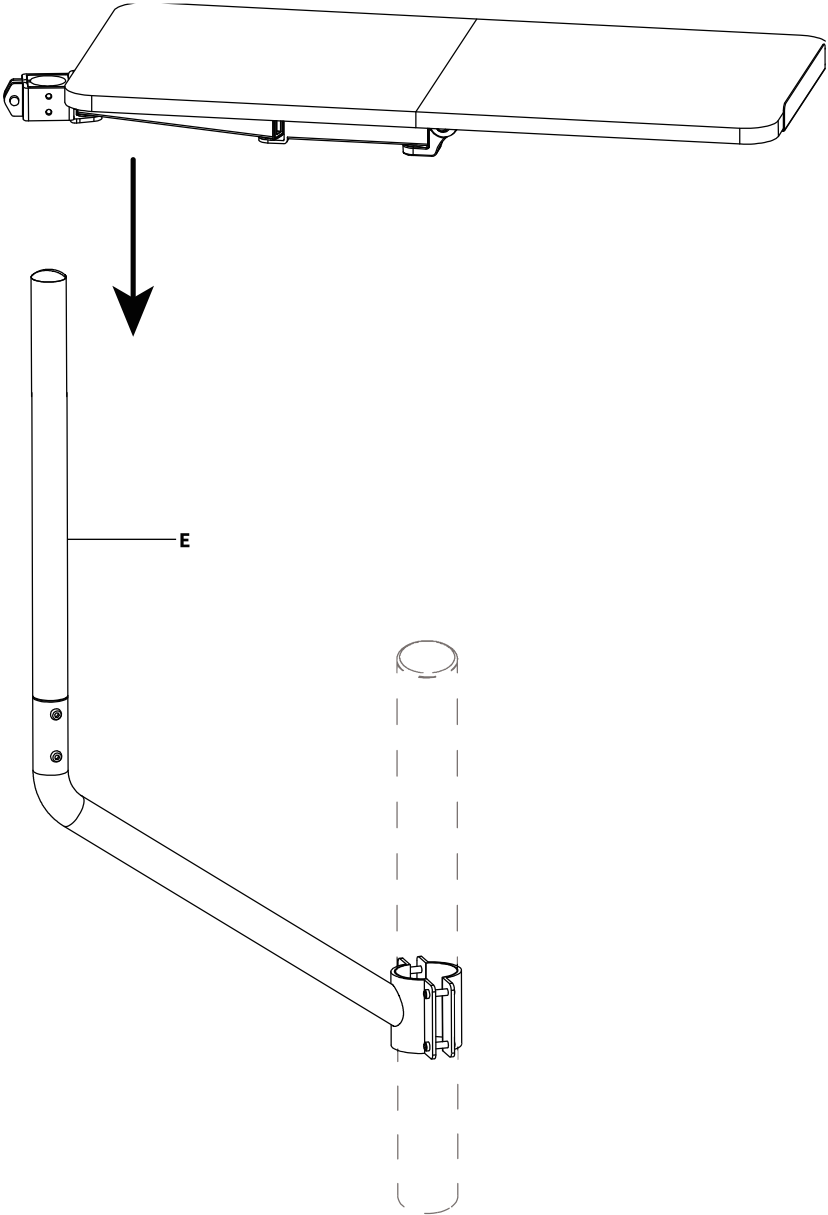
STEP 3

Attach Arm (B) to Keyboard Tray Set (A) using M5x12mm Screws (S-A) and the Phillips end of 5mm Allen Wrench (T-A). Attach Keyboard Stop (G) to one of the Keyboard Tray Set (A) panels using M5x12mm Screws (S-A) and the Phillips end of 5mm Allen Wrench (T-A).



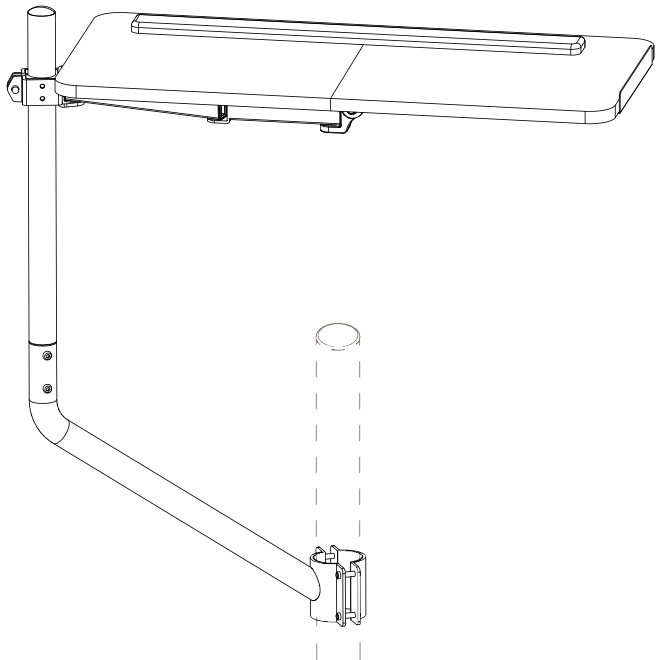
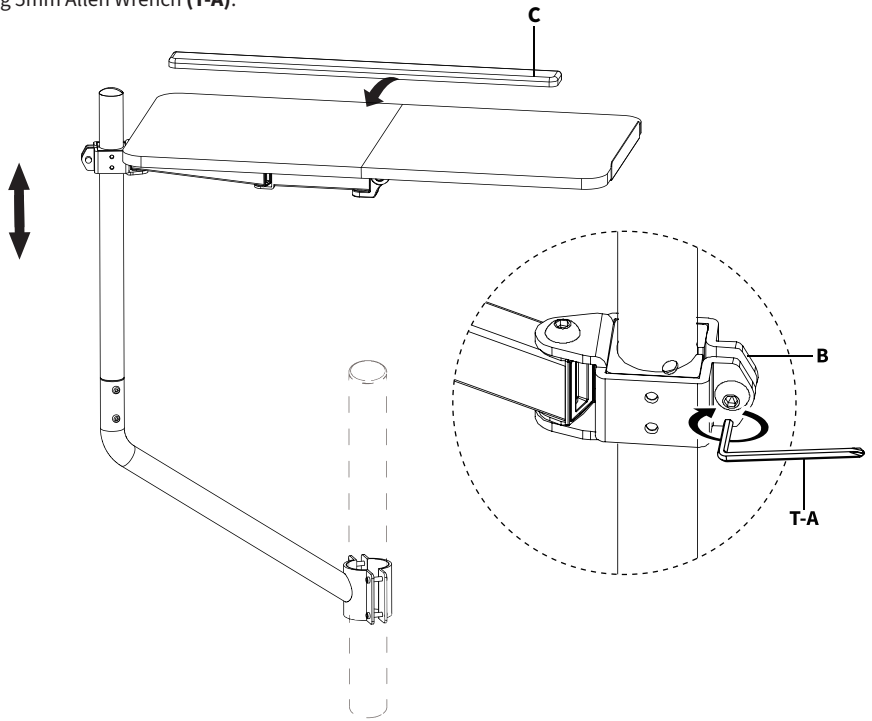
STEP 4

Slide the arm assembly onto Vertical Support (**E**).



STEP 5

Remove the adhesive backing from Wrist Rest (C) and place on the tray assembly. Tighten Arm (B) using 5mm Allen Wrench (T-A).





Open **Monday - Friday 7:00am - 7:00pm** CST,
our dedicated support team can offer immediate assistance with rapid response times. If any parts are received damaged or defective, please contact us. We are happy to replace parts to ensure you have a fully functioning product.



309-278-5303

AVG. RESOLUTION TIME (*within office hrs*): **5M 4S**



www.vivo-us.com
Chat live with an agent!

AVG. RESOLUTION TIME (*within office hrs*): **< 15 M**



help@vivo-us.com

AVG. RESPONSE TIME (*within office hrs*): **1HR 8M**
- 23% within < 15m
- 38% within < 30m
- 61% within < 1hr
- 83% within < 2hr
- 92% within < 3hr