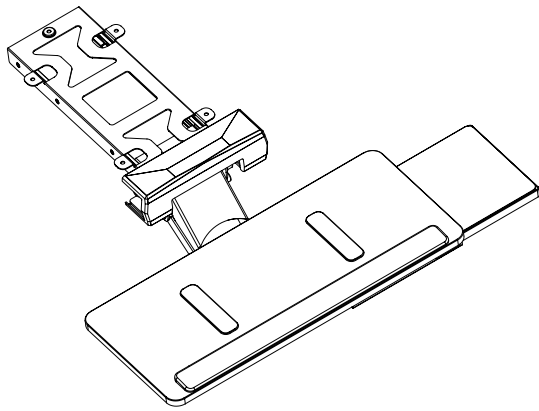




Silver Under Desk Keyboard Tray

Instruction Manual



SKU: MOUNT-KB07B



Scan the QR code with your mobile device or follow the link for helpful videos and specifications related to this product.

<https://vivo-us.com/products/mount-kb07b>

GET IN TOUCH | Monday-Friday from 7:00am-7:00pm CST



help@vivo-us.com



www.vivo-us.com
Chat live with an agent!



309-278-5303

⚠️ WARNING!

If you do not understand these directions, or if you have any doubts about the safety of the installation, please call a qualified technician. Check carefully to make sure there are no missing or defective parts. Improper installation may cause damage or serious injury. Do not use this product for any purpose that is not explicitly specified in this manual. Do not exceed weight capacity. We cannot be liable for damage or injury caused by improper mounting, incorrect assembly or inappropriate use.

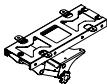
⚠️ WARNING: CHOKING HAZARD

SMALL PARTS - NOT FOR CHILDREN UNDER 3 YEARS. ADULT SUPERVISION IS REQUIRED.

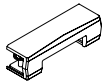
PACKAGE CONTENTS



A (x1)
Keyboard Tray



B (x1)
Arm



C (x1)
Clamp



D (x1)
Wrist Pad



E (x3)
Non-Slip Pad



S-A (x2)
M5x6mm Screw



S-B (x4)
M5x12mm Screw



S-C (x5)
ST5x12mm Screw



T-A (x1)
5mm Allen Wrench

TOOLS NEEDED



Phillips
Screwdriver



Ruler



Drill

DO NOT EXCEED WEIGHT CAPACITY.

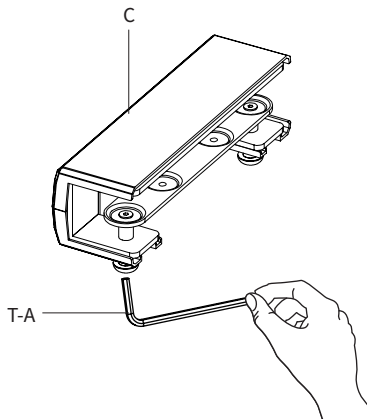
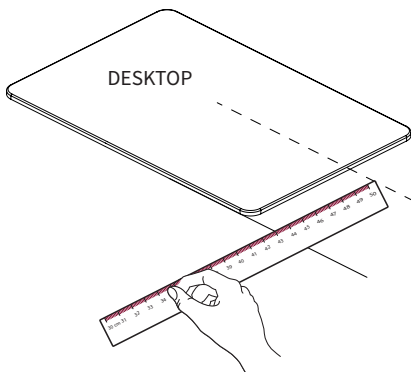
Failure to do so may result in serious injury.

11lbs
(5kg)

ASSEMBLY STEPS

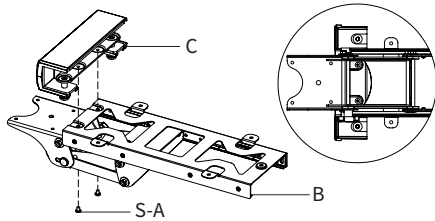
STEP 1

Make sure you have at least 16" (407mm) of clearance from the front edge of your desktop. Loosen Clamp (C) using 5mm Allen Wrench (T-A).



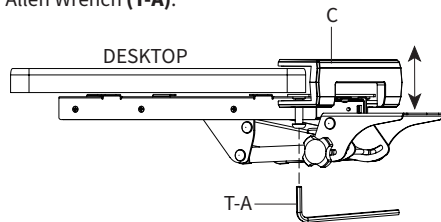
STEP 2

Assemble Arm (B) to Clamp (C) using M5x6mm Screws (S-A) and a Phillips screwdriver



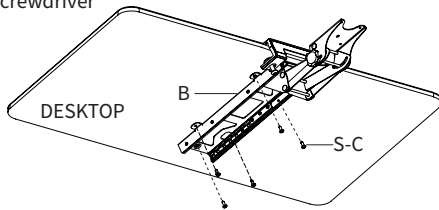
STEP 3

Secure Clamp (C) to the desktop using 5mm Allen Wrench (T-A).



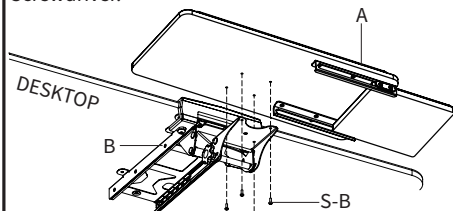
STEP 4

Using a 11/64" (4.3mm) drill bit, drill pilot holes through Arm (B) into the desktop. Mount Arm (B) in place using ST5x12mm Screws (S-C) and a Phillips screwdriver



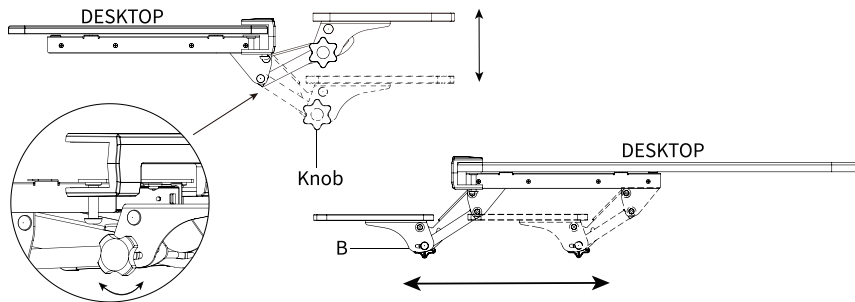
STEP 5

Assemble Keyboard Tray (A) to Arm (B) using M5x12mm Screws (S-B) and a Phillips Screwdriver.



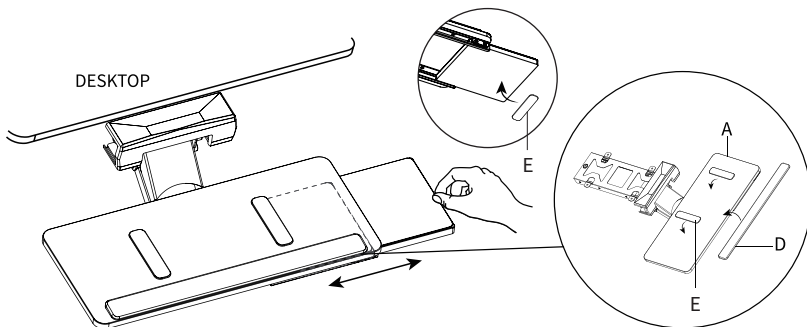
STEP 6

To adjust the tray assembly, loosen the knob on the side of Arm (B) and adjust the height and tilt angle as desired, then tighten the knob to lock it into your desired position. Lower the tray below the desktop to store it underneath.



STEP 7

Slide the mouse pad out from under Keyboard Tray (A). Remove adhesive backing from Wrist Pad (D) and Non-Slip Pads (E) and place them on Keyboard Tray (A).





Open **Monday - Friday 7:00am - 7:00pm** CST,
our dedicated support team can offer immediate assistance with rapid response times. If any parts are received damaged or defective, please contact us. We are happy to replace parts to ensure you have a fully functioning product.



309-278-5303

AVG. RESOLUTION TIME (*within office hrs*): **5M 4S**



www.vivo-us.com
Chat live with an agent!

AVG. RESOLUTION TIME (*within office hrs*): **< 15 M**



help@vivo-us.com

AVG. RESPONSE TIME (*within office hrs*): **1HR 8M**

- 23% within < 15m
- 38% within < 30m
- 61% within < 1hr
- 83% within < 2hr
- 92% within < 3hr