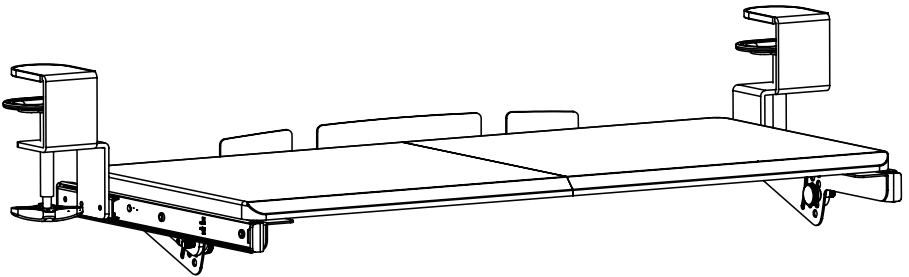


Black Clamp-on Tilting Keyboard Tray

Instruction Manual



SKU: MOUNT-KB05T



Scan the QR code with your mobile device or follow the link for helpful videos and specifications related to this product.

<https://vivo-us.com/products/mount-kb05t>

GET IN TOUCH | Monday-Friday from 7:00am-7:00pm CST



help@vivo-us.com



www.vivo-us.com
Chat live with an agent!



309-278-5303

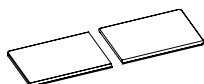
WARNING!

If you do not understand these directions, or if you have any doubts about the safety of the installation, please call a qualified technician. Check carefully to make sure there are no missing or defective parts. Improper installation may cause damage or serious injury. Do not use this product for any purpose that is not explicitly specified in this manual. Do not exceed weight capacity. We cannot be liable for damage or injury caused by improper mounting, incorrect assembly or inappropriate use.

WARNING: CHOKING HAZARD

SMALL PARTS - NOT FOR CHILDREN UNDER 3 YEARS. ADULT SUPERVISION IS REQUIRED.

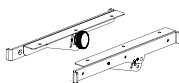
PACKAGE CONTENTS



A (x1)
Keyboard
Tray



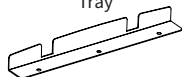
B (x2)
Connecting Plate



C (x2)
Tilting Track



D (x2)
Clamps



E (x1)
Keyboard Stop



F (x2)
Clamp Pad



S-A (x6)
M4x7mm
Screw



S-B (x8)
M5x12mm
Panhead Screw



S-C (x12)
M5x12mm
Flathead Screw

NOTE: Some hardware will not be used.

DO NOT EXCEED WEIGHT CAPACITY.

Failure to do so may result in serious injury.



TOOLS NEEDED

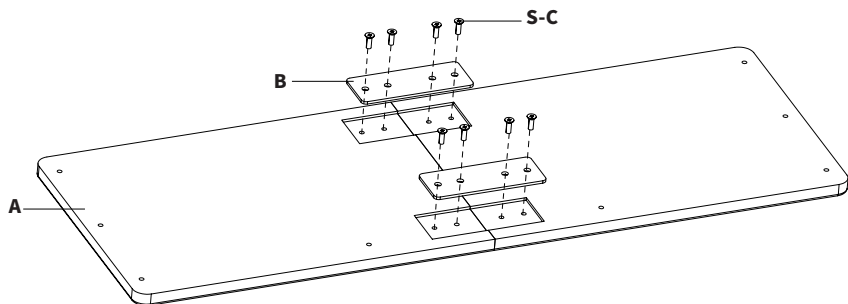


**Phillips
Screwdriver**

ASSEMBLY STEPS

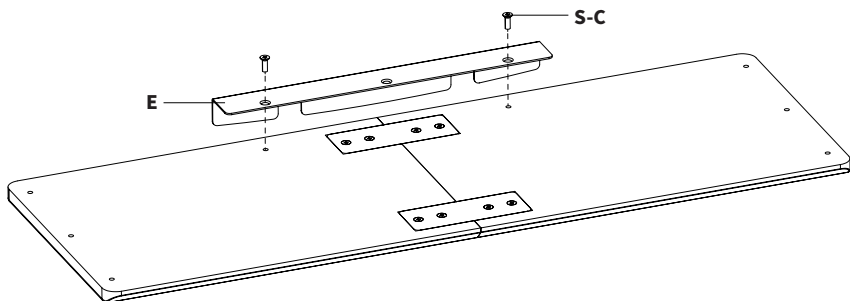
STEP 1

Connect Keyboard Tray (A) using Connecting Plate (B), M5x12mm Flathead Screws (S-C), and a Phillips screwdriver.



STEP 2

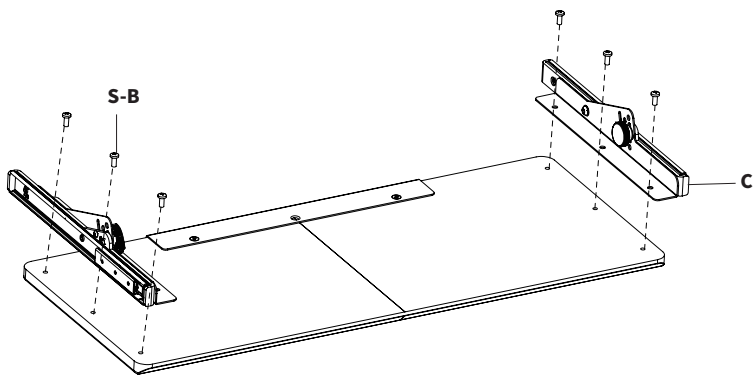
Attach Keyboard Stop (E) to tray assembly using M5x12mm Flathead Screws (S-C) and a Phillips screwdriver.



STEP 3

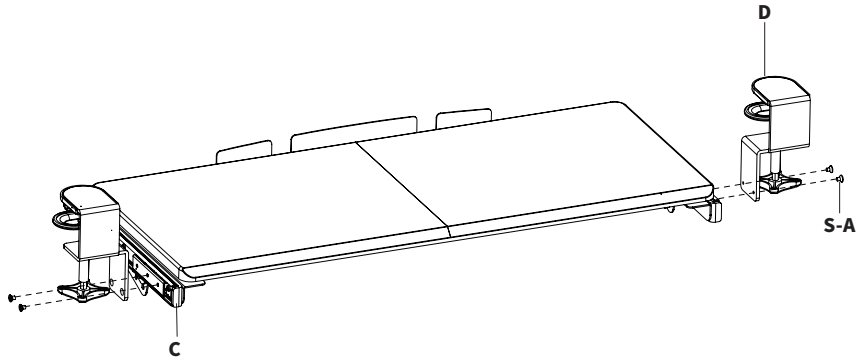
Connect Tilting Track (C) to tray assembly using M5x12mm Panhead Screws (S-B) and a Phillips screwdriver.

Note: Make sure the tilt adjustment knobs are closer to the front edge of the tray



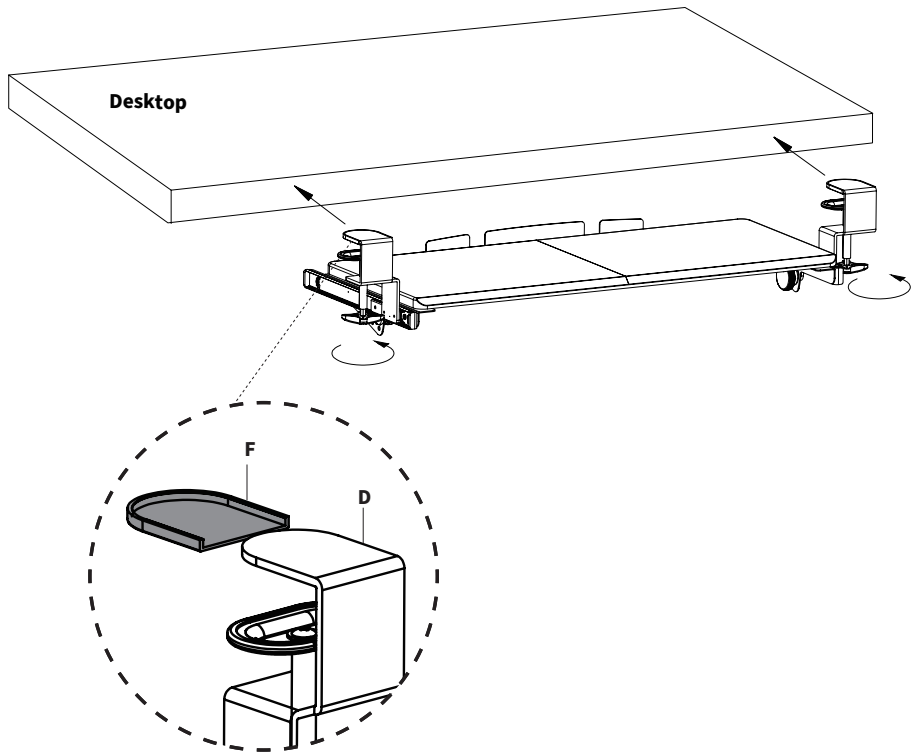
STEP 4

Turn assembly over and connect Clamps (D) to side of Tilting Track (C) using M4x7mm Screws (S-A) and a Phillips screwdriver, as shown below.



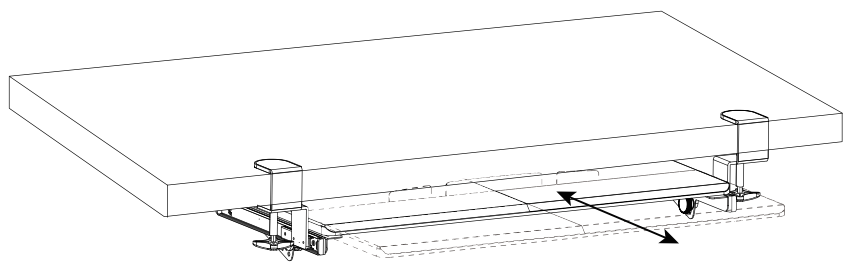
STEP 5

Place Clamp Pad (**F**) onto Clamp (**D**), as shown below. Slide assembly onto desktop and secure by tightening Clamp (**D**) knobs.



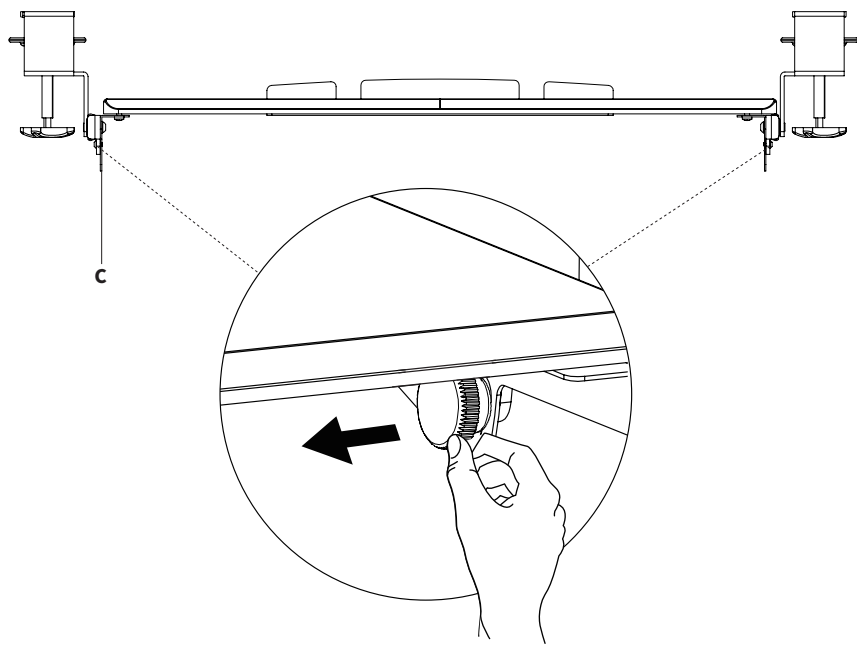
STEP 6

Gently pull keyboard tray to bring it forward. Gently push it back to return it to it's under desktop storage position.



STEP 7


Remove both locking knobs from Tilting Brackets (C), adjust to desired position, then reinstall locking knobs into new adjustment position to secure.



THIS PAGE INTENTIONALLY LEFT BLANK



Open **Monday - Friday 7:00am - 7:00pm** CST,
our dedicated support team can offer immediate assistance with rapid response times. If any parts are received damaged or defective, please contact us. We are happy to replace parts to ensure you have a fully functioning product.

 309-278-5303

AVG. RESOLUTION TIME (*within office hrs*): **5M 4S**



www.vivo-us.com
Chat live with an agent!

AVG. RESOLUTION TIME (*within office hrs*): **< 15 M**



help@vivo-us.com

AVG. RESPONSE TIME (*within office hrs*): **1HR 8M**

- 23% within < 15m
- 38% within < 30m
- 61% within < 1hr
- 83% within < 2hr
- 92% within < 3hr