

Bamboo Clamp-on Keyboard Tray

SKU: MOUNT-KB050

Instruction Manual

Assembly Video & Product Info
www.vivo-us.com/products/mount-kb05e



! CAUTION! !

If you do not understand these directions, or if you have any doubts about the safety of the installation, please contact our product support team at 309-278-5303 or help@vivo-us.com for further assistance. Check carefully to make sure there are no missing or defective parts. Improper installation may cause damage or serious injury. Do not use this product for any purpose that is not explicitly specified in this manual. Do not exceed weight capacity. We cannot be liable for damage or injury caused by improper mounting, incorrect assembly or inappropriate use.



WARNING: CHOKING HAZARD

SMALL PARTS - NOT FOR CHILDREN UNDER 3 YEARS. ADULT SUPERVISION IS REQUIRED.



DO NOT EXCEED WEIGHT CAPACITY

FAILURE TO DO SO MAY RESULT IN SERIOUS INJURY.

We're Here for You

Open **Monday - Friday 7:00am - 7:00pm CST**, our dedicated support team can offer immediate assistance with rapid response times. If any parts are received damaged or defective, please contact us. We are happy to replace parts to ensure you have a fully functioning product.



Give us a Call:
309-278-5303

AVG. RESOLUTION TIME (*within office hrs*): **5M 4S**



Chat Us:
www.vivo-us.com

AVG. RESOLUTION TIME (*within office hrs*): **< 15 M**

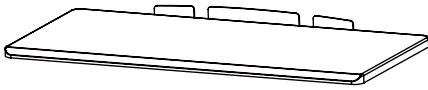


Email Us:
help@vivo-us.com

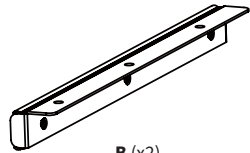
AVG. RESPONSE TIME (*within office hrs*): **1HR 8M**

- 23% within < 15m
- 38% within < 30m
- 61% within < 1hr
- 83% within < 2hr
- 92% within < 3hr

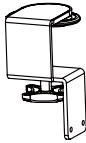
Package Contents



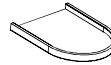
A (x1)
Keyboard Tray



B (x2)
Slider Bracket



C (x2)
Clamp



D (x2)
Pad

Included Hardware & Tools



S-A (x6)
M4x7mm Flat
Head Screw



S-A (x8)
M5x12mm Round
Head Screw

Tools Needed:



**Phillips
Screwdriver**

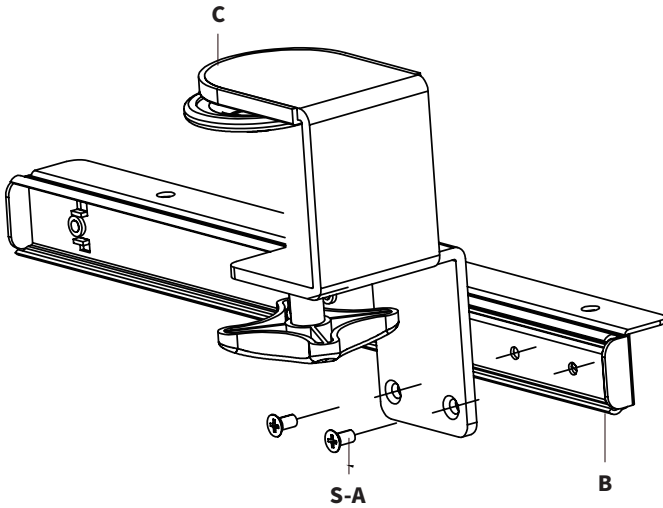
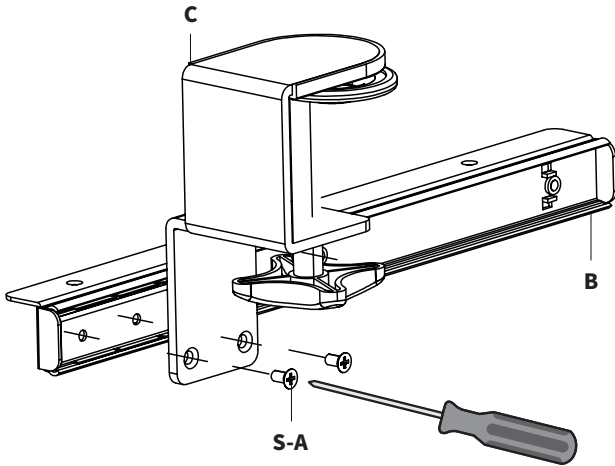
Weight Capacity:



ASSEMBLY STEPS

STEP 1

Assemble Slider Brackets (**B**) to Clamps (**C**) using M4x7mm Screws (**S-A**), and a Phillips screwdriver.

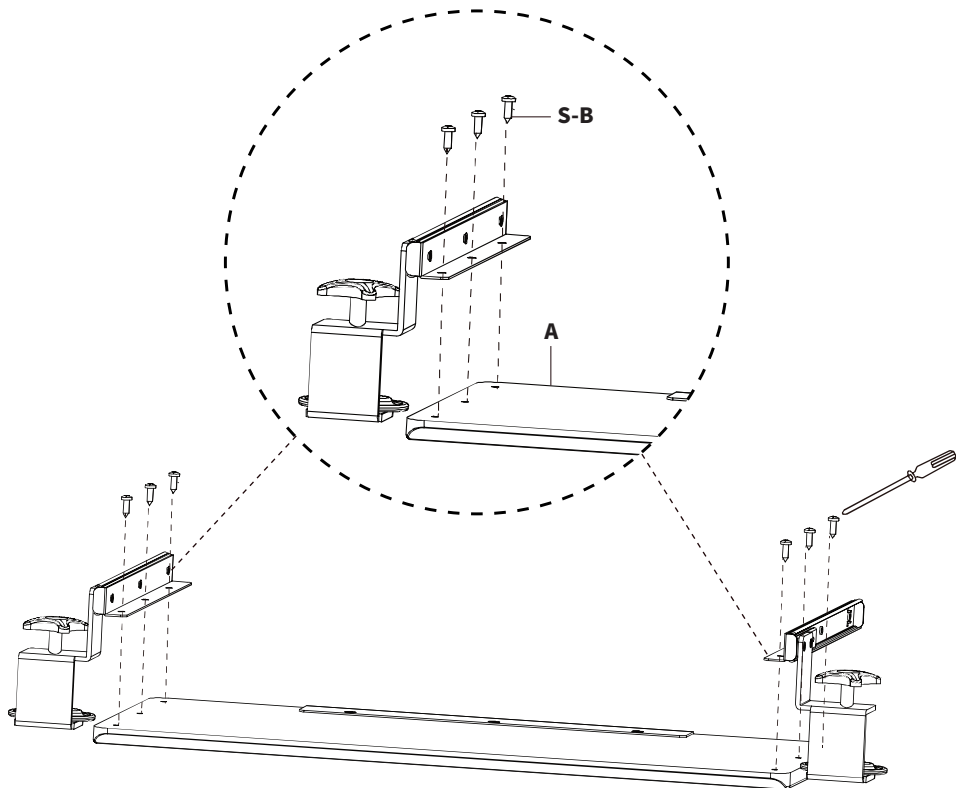


Need the Tray to Pull Out Further?

The Clamp can be offset using the extra holes in Slider Brackets (**B**) to allow the tray to be pulled out an extra 1.2" (30mm) when in use. If mounted this way the tray will sit further out from desk edge.

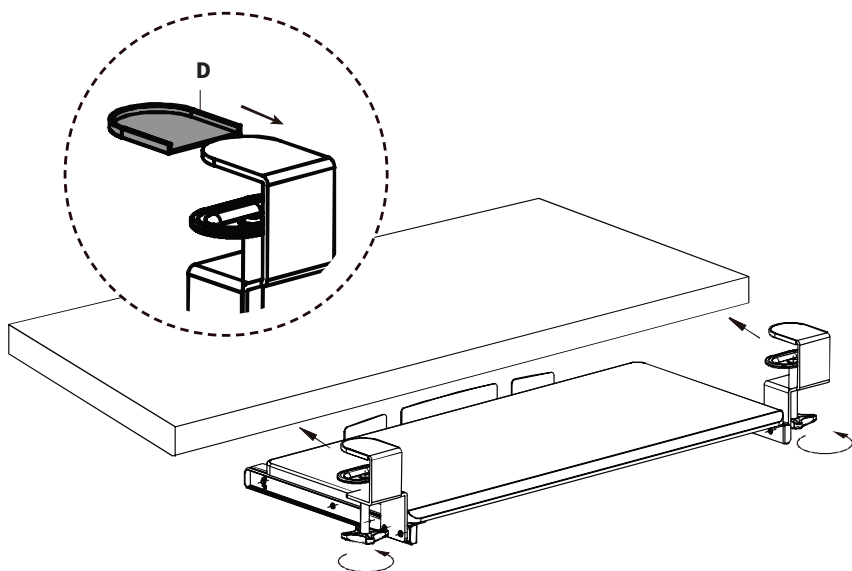
STEP 2

Connect slider assembly to Keyboard Tray (**A**) using M5x12mm Round Head Screws (**S-B**), and a Phillips screwdriver. The clamps must be on the opposite end from the center cable guide.



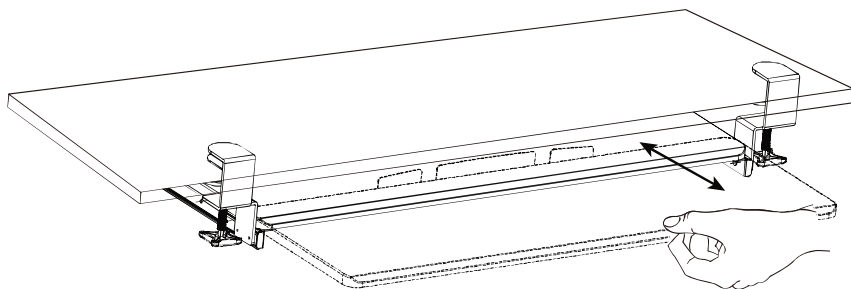
STEP 3

Place Pads **(D)** on the underside of each clamp. Place assembled keyboard mount on edge of desk and tighten clamps.



NOTE: To ensure keyboard tray is level, do not over-tighten clamps.

.....
Slide keyboard tray forward/back to desired position.



[THIS PAGE HAS BEEN INTENTIONALLY LEFT BLANK]



Need Help? Get In Touch

Monday-Friday from 7:00am-7:00pm CST



help@vivo-us.com



www.vivo-us.com

Chat live with an agent!



309-278-5303



VIVO-us @vivo_us