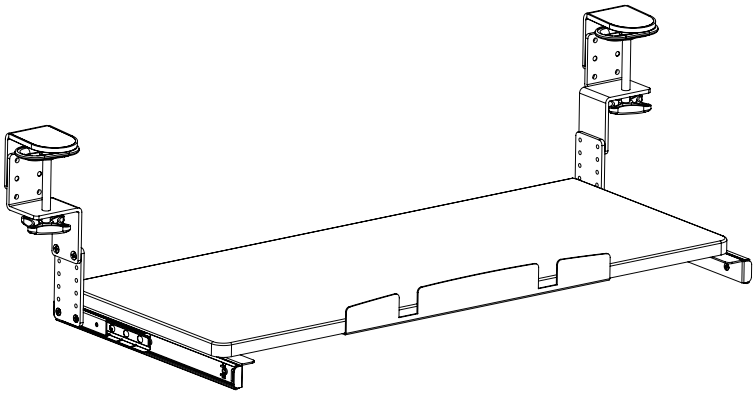




Clamp-on Height Adjustable Keyboard Tray Instruction Manual



SKU: MOUNT-KB05HB/HA/HD/HW



Scan the QR code with your mobile device or follow the link for helpful videos and specifications related to this product.

<https://vivo-us.com/products/mount-kb05hb>

GET IN TOUCH | Monday-Friday from 7:00am-7:00pm CST



help@vivo-us.com



www.vivo-us.com
Chat live with an agent!



309-278-5303

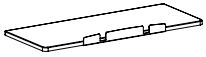
WARNING!

If you do not understand these directions, or if you have any doubts about the safety of the installation, please contact our product support team at 309-278-5303 or help@vivo-us.com for further assistance. Check carefully to make sure there are no missing or defective parts. Improper installation may cause damage or serious injury. Do not use this product for any purpose that is not explicitly specified in this manual. Do not exceed weight capacity. We cannot be liable for damage or injury caused by improper mounting, incorrect assembly or inappropriate use.

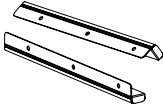
WARNING: CHOKING HAZARD

SMALL PARTS - NOT FOR CHILDREN UNDER 3 YEARS. ADULT SUPERVISION IS REQUIRED.

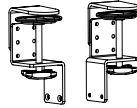
PACKAGE CONTENTS



A (x1)
Keyboard Tray



B (x2)
Slider Bracket



C (x2)
Clamp



D (x2)
Support Bracket



E (x2)
Pad



S-A (x6)
M4x7mm Screws



S-B (x8)
M5x12mm Screws



S-C (x6)
M5x8mm Screws



T-A (x1)
4mm Allen Wrench

TOOLS NEEDED



**Phillips
Screwdriver**

NOTE: SOME HARDWARE INCLUDED MAY NOT BE USED

DO NOT EXCEED WEIGHT CAPACITY.

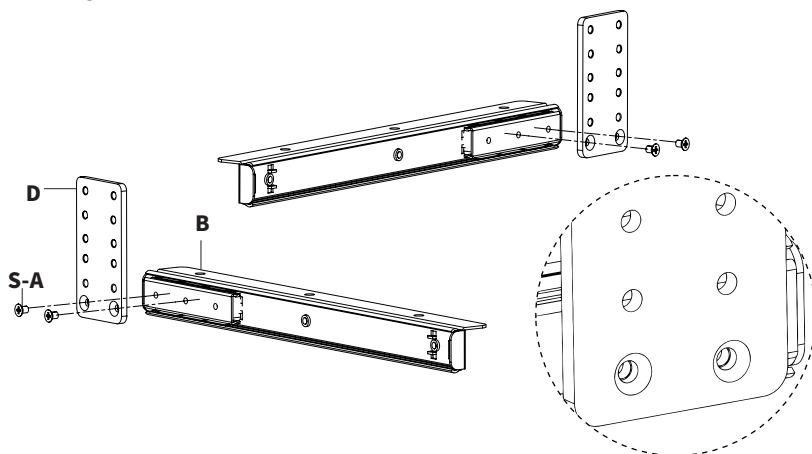
Failure to do so may result in serious injury.



ASSEMBLY STEPS

STEP 1

Assemble Slider Brackets (**B**) to the Support Brackets (**D**) using M4x7mm Screws (**S-A**), making sure the countersunk holes on Support Brackets (**D**) are facing outward, as shown below. Tighten with a Phillips screwdriver.

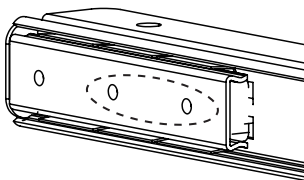


NOTE: Countersunk holes should be facing outward.

OTHER ASSEMBLY OPTIONS:

Increased Tray Extension

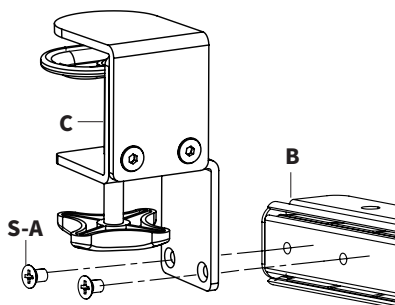
Clamp can be offset using the extra holes in Slider Brackets (**B**) to allow the tray to be pulled out an extra 1.2" (30mm) when in use. If mounted this way the tray will sit further out from desk edge.



Compact Desk Setups

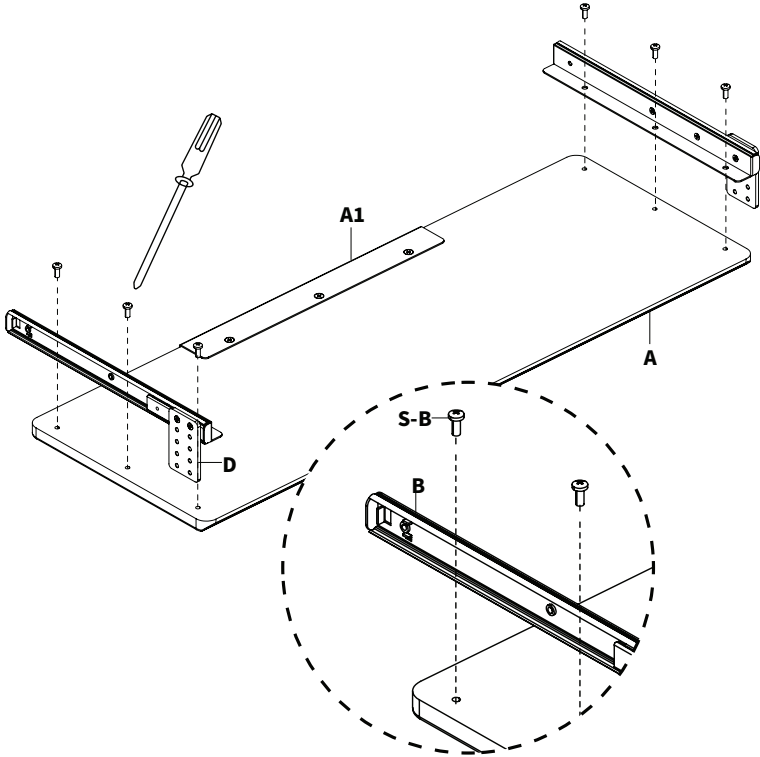
For increased leg room under keyboard tray, the desk clamps can be installed directly to the Slider Brackets (**B**) without use of Support Brackets (**D**).

Secure Clamps (**C**) to the side of Slider Brackets (**B**) using M4x7mm Screws (**S-A**) with Phillips screwdriver. Ensure countersunk holes are facing outward.



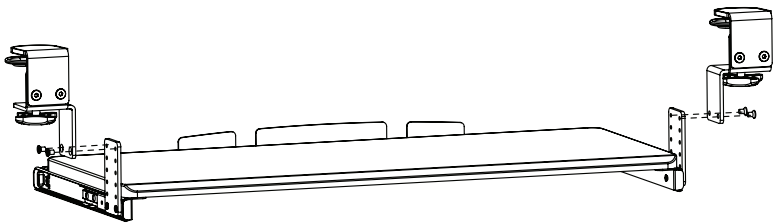
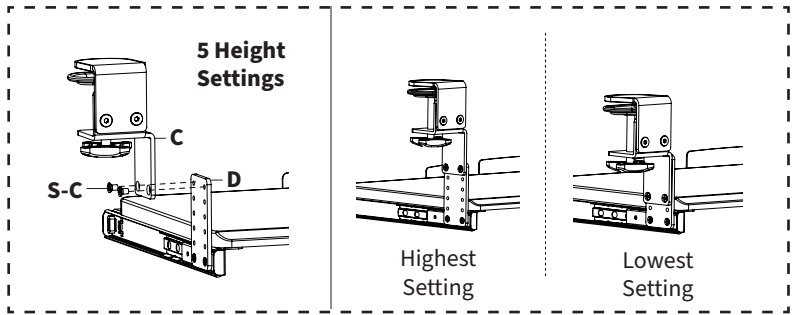
STEP 2

Assemble Slider Brackets (**B**) with Support Brackets (**D**) to the Keyboard Tray (**A**) using M5x12mm Screws (**S-B**), and tighten with a Phillips screwdriver. The Support Brackets (**D**) be on the opposite side of the tray as the Keyboard Stopper (**A1**).



STEP 3

Assemble Clamps (C) to Support Brackets (D) at desired height using M5x8mm Screws (S-C). Tighten with a Phillips screwdriver.



Adjusting Clamp for Greater Desktop Thickness

Clamps are pre-assembled for compatibility with desktops 0-65mm (2.56") thick. The clamp features two additional height settings if the pre-assembled clamp does not work with your desktop.

Remove the preinstalled screws using 4mm Allen Wrench (T-A) and adjusting the position of the upper clamp according to your desktop thickness.

0-45mm (1.77")

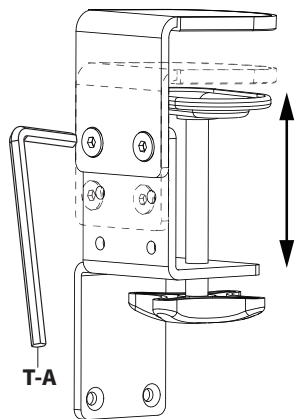
Desktop Thickness:

Use upper hole set.

5-85mm (0.197" - 3.35")

Desktop Thickness:

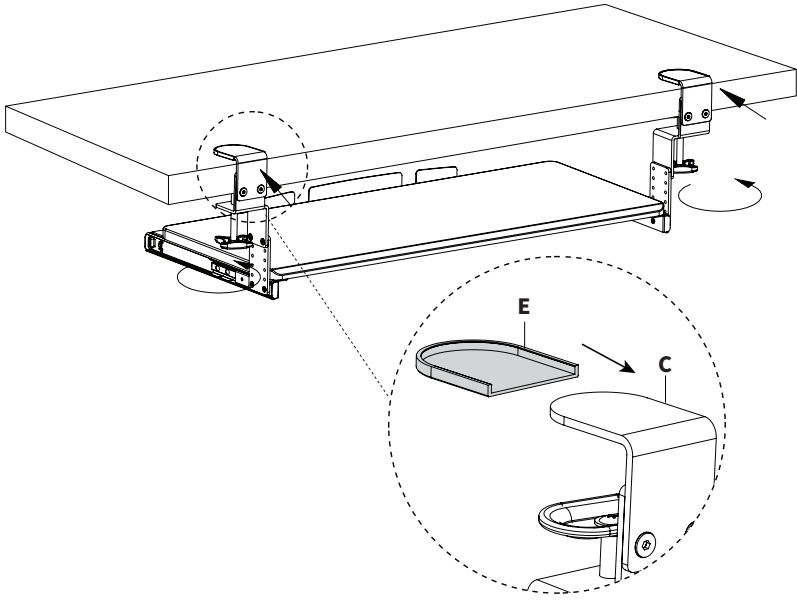
Use lower hole set.



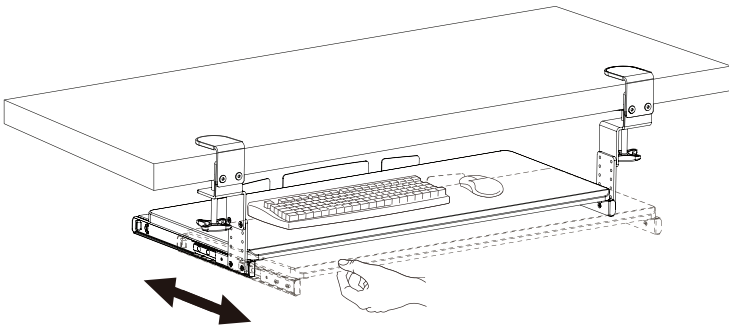
STEP 4

Place assembled keyboard mount on edge of desk, then slide Pads (E) on the underside of each Clamp (C). Tighten clamps to secure to desktop

NOTE: To ensure keyboard tray is level, do not over-tighten clamps. Slide keyboard tray forward/back to desired position.



Keyboard tray now ready for use.



[THIS PAGE INTENTIONALLY LEFT BLANK]



Love your new VIVO setup and want to share?
Tag us in your photo! [@vivo_us](#)

LAST UPDATED: 08/28/2023
REV3



Open **Monday - Friday 7:00am - 7:00pm** CST,
our dedicated support team can offer immediate assistance with rapid response times. If any parts are received damaged or defective, please contact us. We are happy to replace parts to ensure you have a fully functioning product.



309-278-5303

AVG. RESOLUTION TIME (*within office hrs*): **5M 4S**



www.vivo-us.com
Chat live with an agent!

AVG. RESOLUTION TIME (*within office hrs*): **< 15 M**



help@vivo-us.com

AVG. RESPONSE TIME (*within office hrs*): **1HR 8M**

- 23% within < 15m
- 38% within < 30m
- 61% within < 1hr
- 83% within < 2hr
- 92% within < 3hr

FOR MORE VIVO PRODUCTS, CHECK OUT OUR WEBSITE AT: www.vivo-us.com