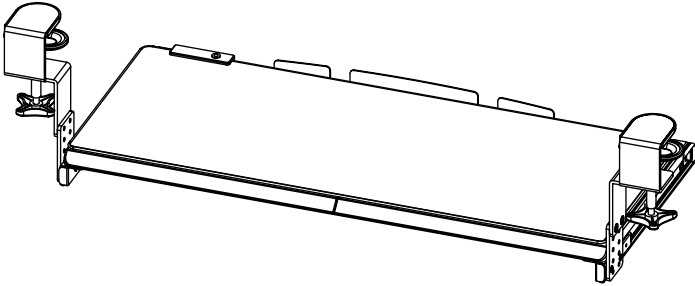




Clamp-on Height Adjustable Keyboard Tray with RGB Pad

Instruction Manual



SKU: MOUNT-KB05GP/W



Scan the QR code with your mobile device or follow the link for helpful videos and specifications related to this product.

<https://vivo-us.com/products/mount-kb05gp>

GET IN TOUCH | Monday-Friday from 7:00am-7:00pm CST



help@vivo-us.com



www.vivo-us.com
Chat live with an agent!



309-278-5303

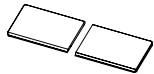
WARNING!

If you do not understand these directions, or if you have any doubts about the safety of the installation, please call a qualified technician. Check carefully to make sure there are no missing or defective parts. Improper installation may cause damage or serious injury. Do not use this product for any purpose that is not explicitly specified in this manual. Do not exceed weight capacity. We cannot be liable for damage or injury caused by improper mounting, incorrect assembly or inappropriate use.

WARNING: CHOKING HAZARD

SMALL PARTS - NOT FOR CHILDREN UNDER 3 YEARS. ADULT SUPERVISION IS REQUIRED.

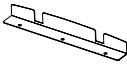
PACKAGE CONTENTS



A (x1)
Keyboard Tray



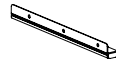
B (x2)
Connecting Plate



C (x1)
Keyboard Stop



D (x2)
Support Bracket



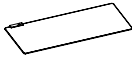
E (x2)
Slider Bracket



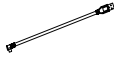
F (x2)
Clamp



G (x2)
Pad



H (x1)
Mouse Pad



I (x1)
Power Cable



S-A (x6)
M4x7mm Flat
Head Screw



S-B (x8)
M5x12mm
Screw



S-C (x12)
M5x12mm Flat
Head Screw



S-D (x6)
M5x8mm Flat
Head Screw

NOTE: SOME HARDWARE INCLUDED MAY NOT BE USED

DO NOT EXCEED WEIGHT CAPACITY.

Failure to do so may result in serious injury.



TOOLS NEEDED

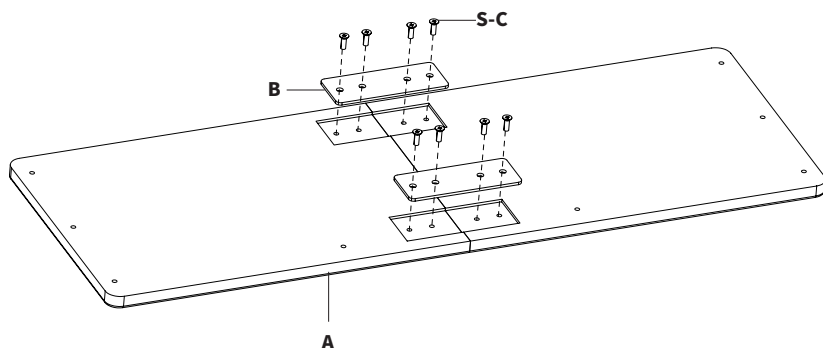


**Phillips
Screwdriver**

ASSEMBLY STEPS

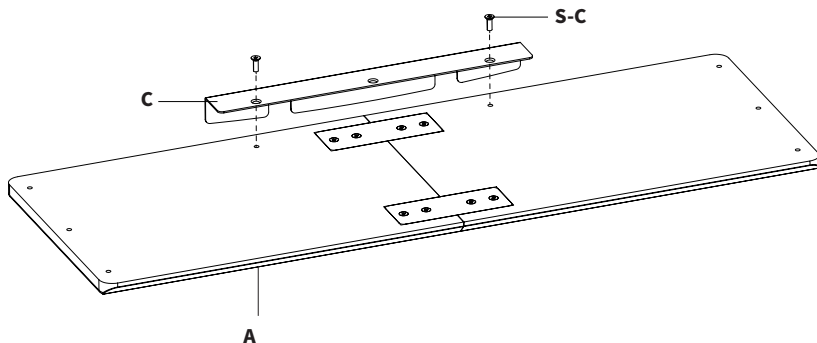
STEP 1

Assemble the Keyboard Tray (**A**) using Connecting Plates (**B**) and M5x12 Flat Head Screws (**S-C**), and tighten with a Phillips screwdriver.



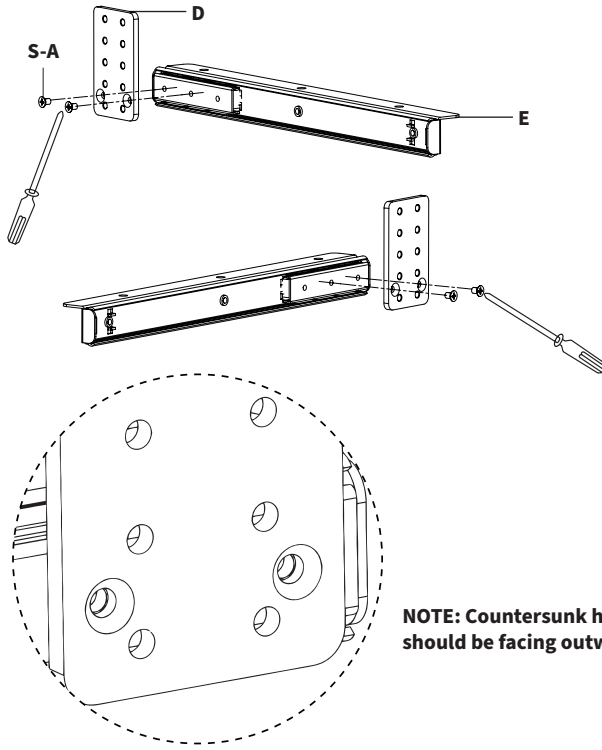
STEP 2

Attach the Keyboard Stop (**C**) to the back of Keyboard Tray (**A**) using M5x12 Flat Head Screws (**S-C**). Tighten with a Phillips screwdriver.



STEP 3

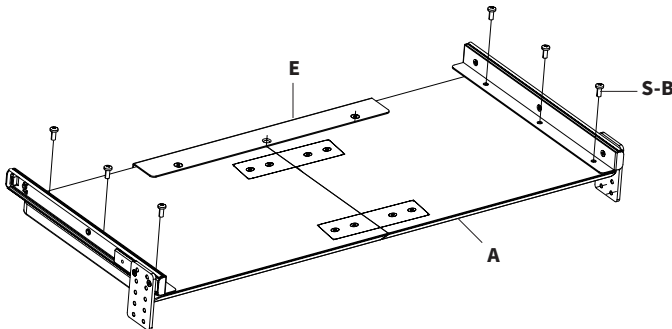
Attach Slider Brackets (**E**) to Support Brackets (**D**) using M4x7mm Flat Head Screws (**S-A**), making sure the countersunk holes on Support Brackets (**D**) are facing outward, as shown below. Tighten with a Phillips screwdriver.



NOTE: Countersunk holes should be facing outward.

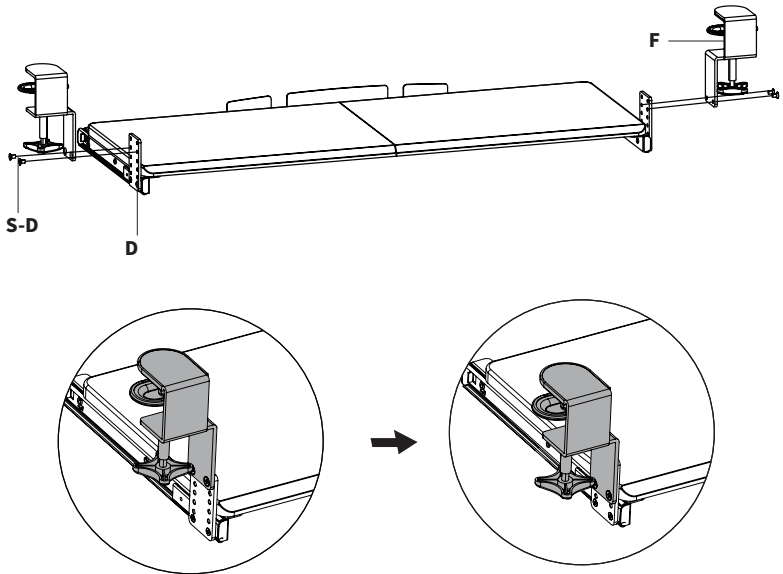
STEP 4

Assemble Slider Brackets (**E**) to Keyboard Tray (**A**) using M5x12mm Screws (**S-B**), and tighten with a Phillips screwdriver. The slider brackets should protrude from the back of the keyboard tray.



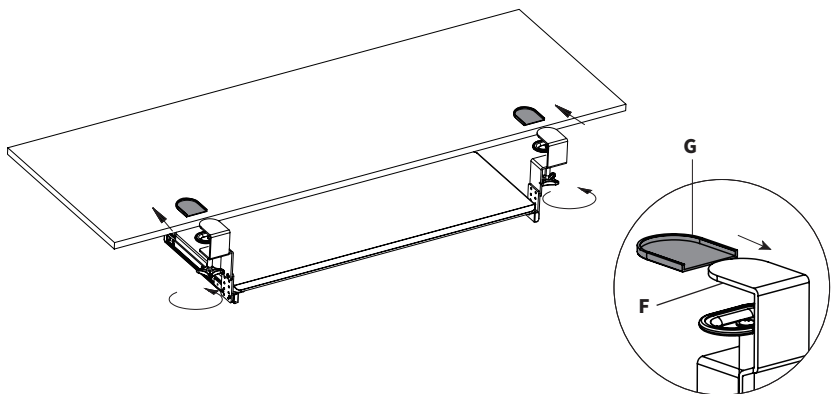
STEP 5

Assemble Clamps (**F**) to Support Brackets (**D**) at desired height using M5x8mm Flat Head Screws (**S-D**). Tighten with a Phillips screwdriver.



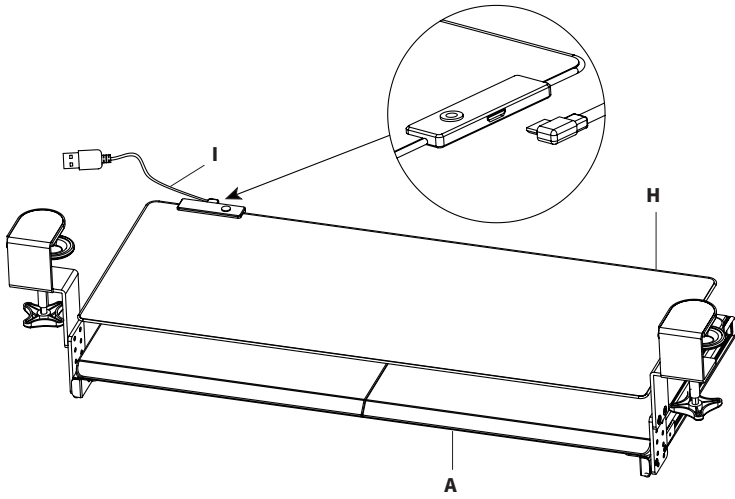
STEP 6

Place Pads (**G**) on the underside of each Clamp (**F**). Place assembled keyboard mount on the edge of desktop and tighten Clamps (**F**).

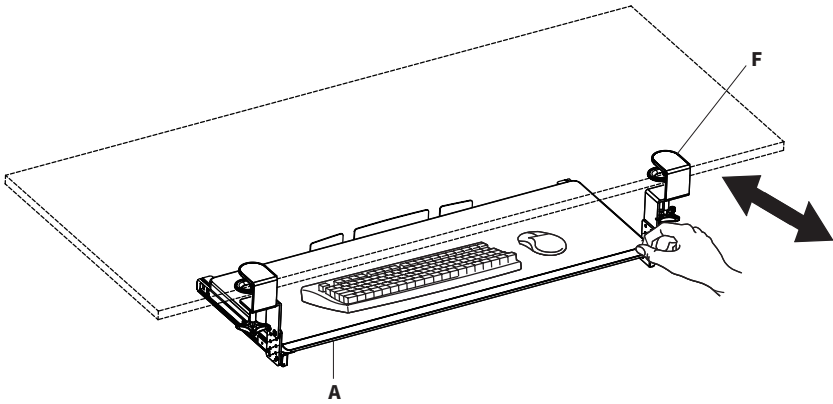


STEP 7

Place Mouse Pad (**H**) on Keyboard Tray (**A**). Plug Power Cable (**I**) into Mouse Pad (**H**) and plug the other end into a 5V USB power supply.



To ensure the keyboard tray assembly is level, do not over-tighten Clamps (**F**). Slide Keyboard Tray (**A**) forward/back to desired position.



HOW TO USE MOUSE PAD

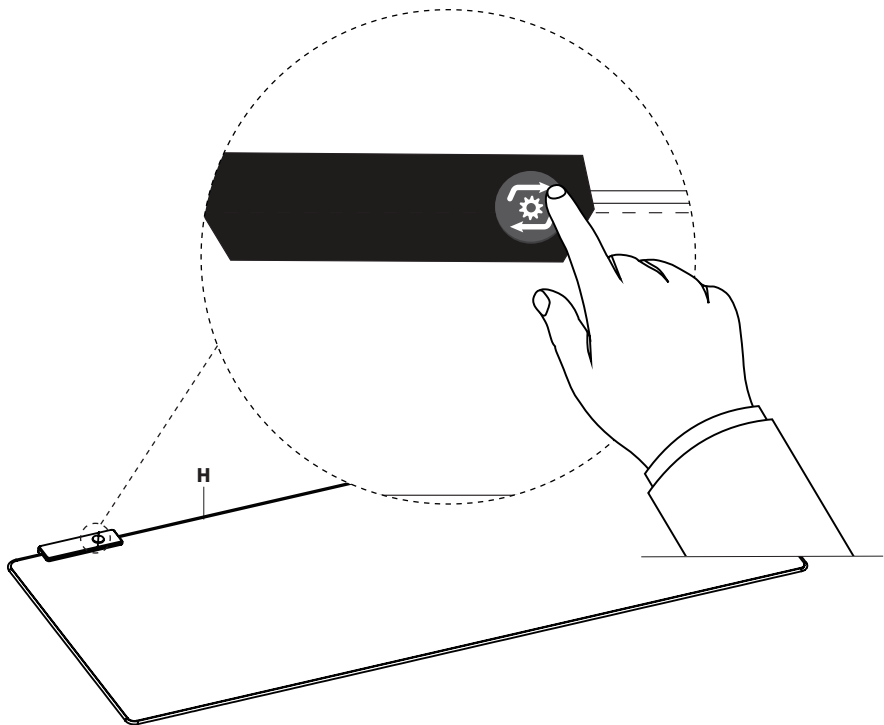
Mouse Pad (**H**) will automatically turn on when connected to a power source. Use button on the edge of the pad to adjust the light settings.


LIGHT MODES: Short press to toggle through light settings:

- | | |
|-----------|--------------------|
| 1. Green | 7. White |
| 2. Blue | 8. Magenta |
| 3. Purple | 9. Orange |
| 4. Red | 10. All Color Fade |
| 5. Indigo | 11. Flash |
| 6. Yellow | 12. Slow Flash |

BRIGHTNESS: Rapid double press to toggle between full and half brightness

TURN OFF: Long press to power off. Press button again to power on.



 Love your new VIVO setup and want to share?
Tag us in your photo! **@vivo_us**

LAST UPDATED: 12/08/2022
REV2.1



Open **Monday - Friday 7:00am - 7:00pm** CST,
our dedicated support team can offer immediate assistance with rapid response times. If any parts are received damaged or defective, please contact us. We are happy to replace parts to ensure you have a fully functioning product.



309-278-5303

AVG. RESOLUTION TIME (*within office hrs*): **5M 4S**



www.vivo-us.com
Chat live with an agent!

AVG. RESOLUTION TIME (*within office hrs*): **< 15 M**



help@vivo-us.com

AVG. RESPONSE TIME (*within office hrs*): **1HR 8M**

- 23% within < 15m
- 38% within < 30m
- 61% within < 1hr
- 83% within < 2hr
- 92% within < 3hr

FOR MORE VIVO PRODUCTS, CHECK OUT OUR WEBSITE AT: www.vivo-us.com