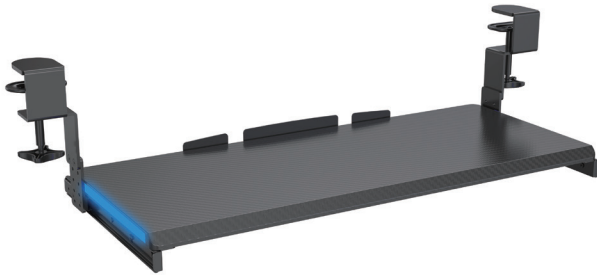




Black Clamp-on Height Adjustable Keyboard Tray with RGB Lights

Instruction Manual



SKU: MOUNT-KB05GL



Scan the QR code with your mobile device or follow the link for helpful videos and specifications related to this product.

<https://vivo-us.com/products/mount-kb05gl>

GET IN TOUCH | Monday-Friday from 7:00am-7:00pm CST



help@vivo-us.com



www.vivo-us.com
Chat live with an agent!



309-278-5303

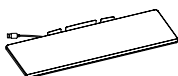
! WARNING!

If you do not understand these directions, or if you have any doubts about the safety of the installation, please call a qualified technician. Check carefully to make sure there are no missing or defective parts. Improper installation may cause damage or serious injury. Do not use this product for any purpose that is not explicitly specified in this manual. Do not exceed weight capacity. We cannot be liable for damage or injury caused by improper mounting, incorrect assembly or inappropriate use.

! WARNING: CHOKING HAZARD

SMALL PARTS - NOT FOR CHILDREN UNDER 3 YEARS. ADULT SUPERVISION IS REQUIRED.

PACKAGE CONTENTS



A (x1)
Keyboard Tray



B (x2)
Support Bracket



C (x2)
Slider Bracket



D (x2)
Clamp



E (x2)
Pad



S-A (x6)
M4x7mm Flat
Head Screw



S-B (x8)
M5x12mm
Screw



S-C (x6)
M5x8mm Flat
Head Screw

NOTE: SOME HARDWARE INCLUDED MAY NOT BE USED

TOOLS NEEDED



**Phillips
Screwdriver**

DO NOT EXCEED WEIGHT CAPACITY.

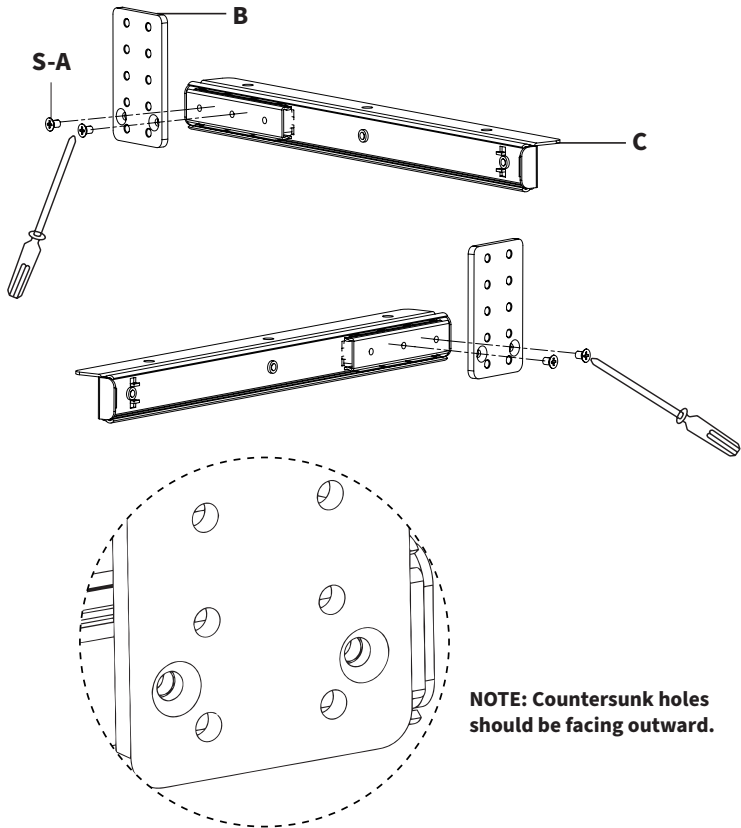
Failure to do so may result in serious injury.



ASSEMBLY STEPS

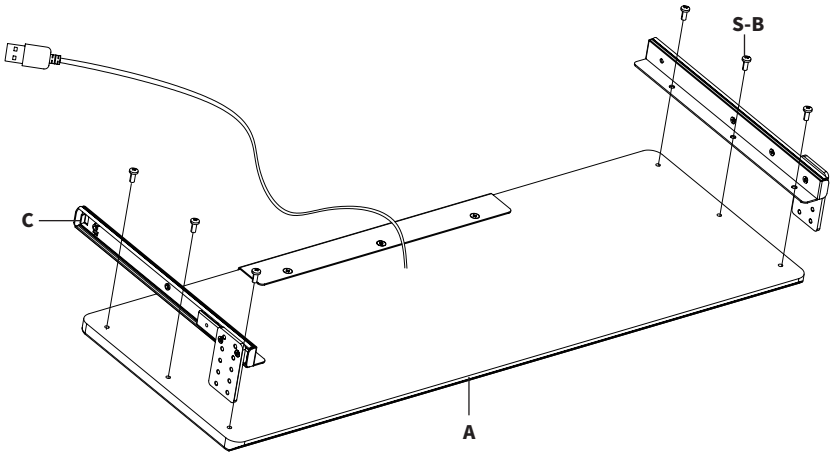
STEP 1

Attach Slider Brackets (C) to Support Brackets (B) using M4x7mm Flat Head Screws (S-A), making sure the countersunk holes on Support Brackets (B) are facing outward, as shown below. Tighten with a Phillips screwdriver.



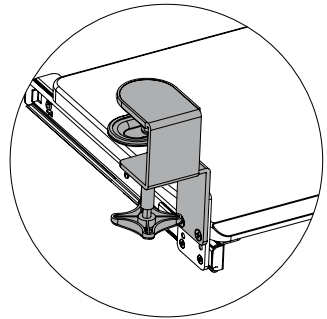
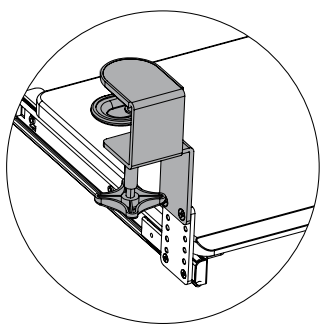
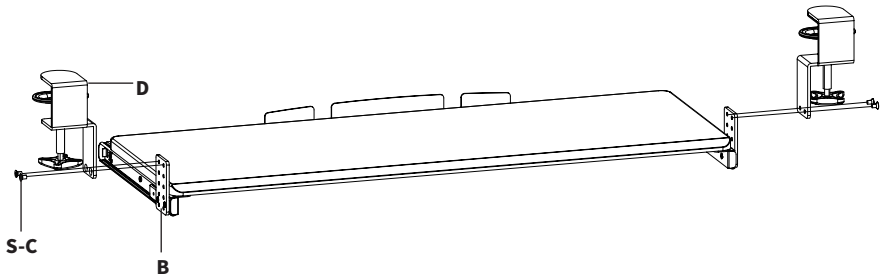
STEP 2

Assemble Slider Brackets (C) to Keyboard Tray (A) using M5x12mm Screws (S-B), and tighten with a Phillips screwdriver. The slider brackets should protrude from the back of the keyboard tray



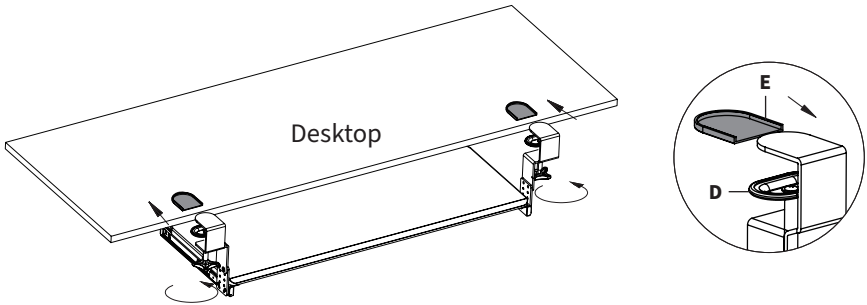
STEP 3

Assemble Clamps (**D**) to Support Brackets (**B**) at desired height using M5x8mm Flat Head Screws (**S-C**). Tighten with a Phillips screwdriver.



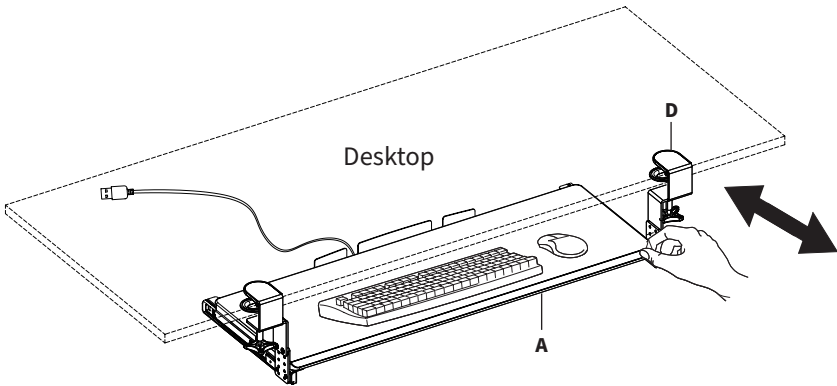
STEP 4

Place Pads **(E)** on the underside of each Clamp **(D)**. Place assembled keyboard mount on the edge of desktop and tighten Clamps **(D)**.



STEP 5

To ensure the keyboard tray assembly is level, do not over-tighten Clamps **(D)**. Slide Keyboard Tray **(A)** forward/back to desired position. Plug the cable from Keyboard Tray **(A)** into a 5V USB power supply.



THIS PAGE INTENTIONALLY LEFT BLANK



Open **Monday - Friday 7:00am - 7:00pm** CST,
our dedicated support team can offer immediate assistance with rapid response times. If any parts are received damaged or defective, please contact us. We are happy to replace parts to ensure you have a fully functioning product.



309-278-5303

AVG. RESOLUTION TIME (*within office hrs*): **5M 4S**



www.vivo-us.com
Chat live with an agent!

AVG. RESOLUTION TIME (*within office hrs*): **< 15 M**



help@vivo-us.com

AVG. RESPONSE TIME (*within office hrs*): **1HR 8M**

- 23% within < 15m
- 38% within < 30m
- 61% within < 1hr
- 83% within < 2hr
- 92% within < 3hr