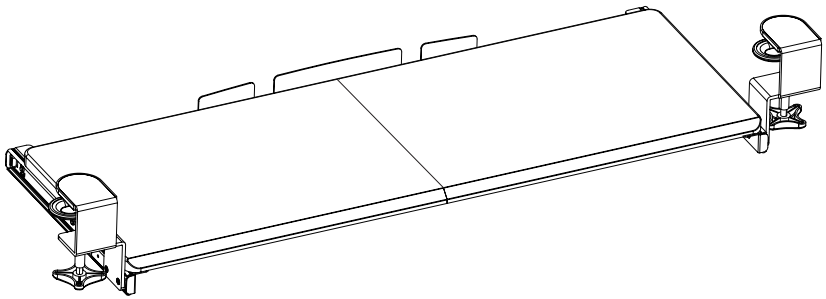




---

## Black Clamp-on Keyboard Tray with RGB Lights Instruction Manual



**SKU: MOUNT-KB05EL**



Scan the QR code with your mobile device or follow the link for helpful videos and specifications related to this product.

<https://vivo-us.com/products/mount-kb05el>

---

**GET IN TOUCH** | Monday-Friday from 7:00am-7:00pm CST



help@vivo-us.com



www.vivo-us.com  
*Chat live with an agent!*



309-278-5303

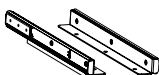
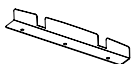
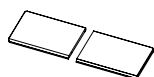
# **WARNING!**

If you do not understand these directions, or if you have any doubts about the safety of the installation, please call a qualified technician. Check carefully to make sure there are no missing or defective parts. Improper installation may cause damage or serious injury. Do not use this product for any purpose that is not explicitly specified in this manual. Do not exceed weight capacity. We cannot be liable for damage or injury caused by improper mounting, incorrect assembly or inappropriate use.

## **WARNING: CHOKING HAZARD**

SMALL PARTS - NOT FOR CHILDREN UNDER 3 YEARS. ADULT SUPERVISION IS REQUIRED.

### PACKAGE CONTENTS



**A** (x1)  
Keyboard Tray

**B** (x2)  
Connecting Plate

**C** (x1)  
Keyboard Stop

**D** (x1)  
Slider Brackets

**E** (x1)  
Clamps

**F** (x2)  
Pad



**G** (x1)  
Tape



**S-A** (x6)  
M4x7mm Flat Head Screw



**S-B** (x8)  
M5x12mm Screw



**S-C** (x12)  
M5x12mm Flat Head Screw

### TOOLS NEEDED



Phillips  
Screwdriver

**NOTE: SOME HARDWARE INCLUDED MAY NOT BE USED**

**DO NOT EXCEED WEIGHT CAPACITY.**

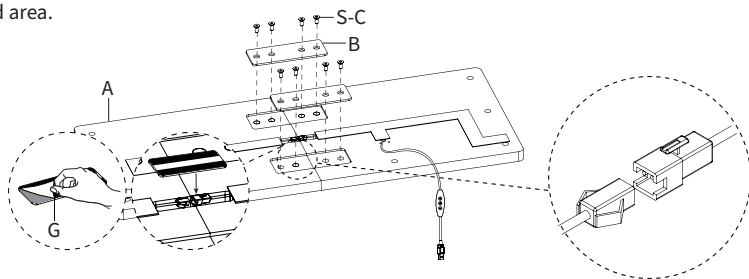
Failure to do so may result in serious injury.

**11lbs  
(5kg)**

### ASSEMBLY STEPS

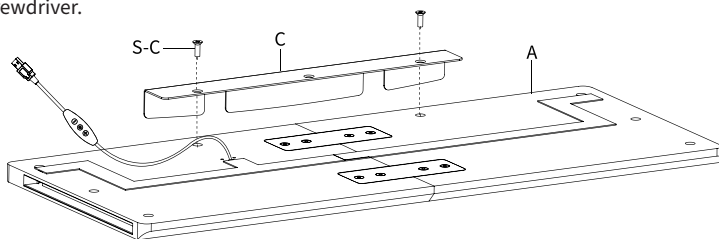
#### STEP 1

Assemble Keyboard Tray (**A**) using Connecting Plates (**B**) and M5x12mm Flat Head Screws (**S-C**). Tighten with a Phillips screwdriver. Connect cables in Keyboard Tray (**A**) and then apply Tape (**G**) over exposed area.



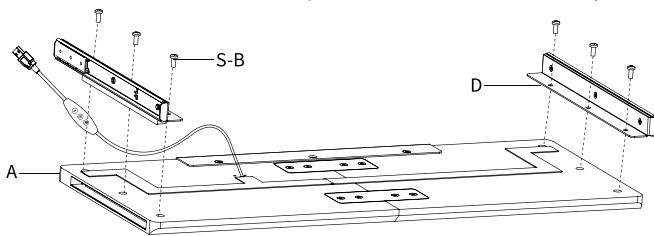
#### STEP 2

Attach Keyboard Stop (**C**) to the back of Keyboard Tray (**A**) using M5x12mm Flat Head Screws (**S-C**) and a Phillips screwdriver.



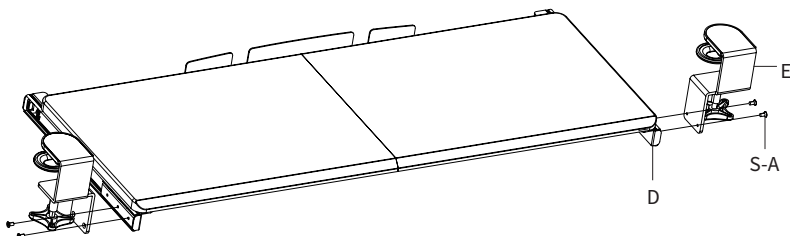
### STEP 3

Assemble Slider Brackets (**D**) to Keyboard Tray (**A**) using M5x12mm Screws (**S-B**), and tighten with a Phillips screwdriver. Slider Brackets (**D**) should protrude from the back of the keyboard tray assembly.



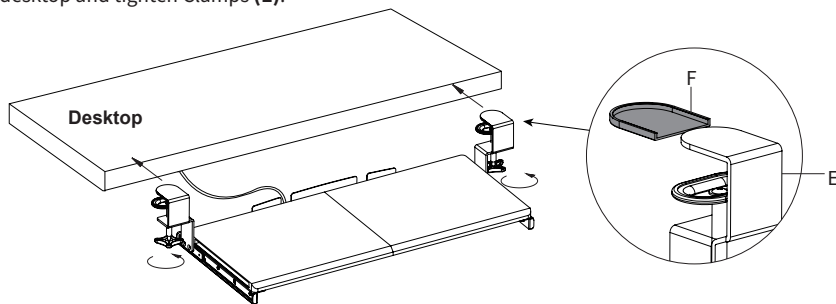
### STEP 4

Assemble Clamps (**E**) to the Slider Brackets (**D**) using M4x7mm Flat Head Screws (**S-A**). Tighten with a Phillips screwdriver.



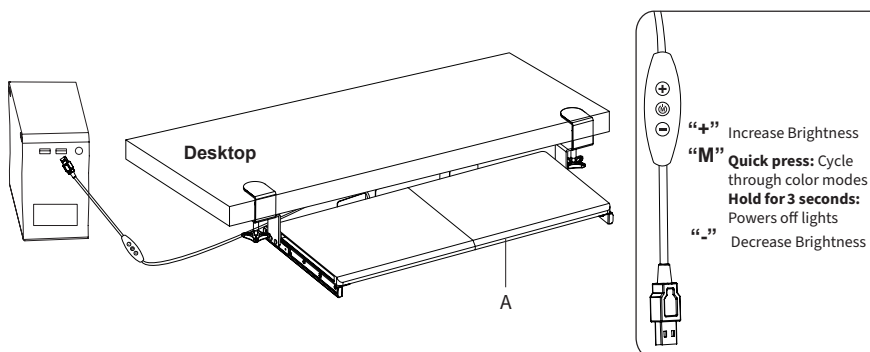
### STEP 5

Place Pads (**F**) on the underside of each Clamp (**E**). Place assembled keyboard mount on the edge of the desktop and tighten Clamps (**E**).



### STEP 6

Plug Keyboard Tray (**A**) into a 5V USB power supply. Follow the diagram below for operation.





Open **Monday - Friday 7:00am - 7:00pm** CST,  
our dedicated support team can offer immediate assistance with rapid response times. If any parts are received damaged or defective, please contact us. We are happy to replace parts to ensure you have a fully functioning product.



309-278-5303

**AVG. RESOLUTION TIME** (*within office hrs*): **5M 4S**



[www.vivo-us.com](http://www.vivo-us.com)  
*Chat live with an agent!*

**AVG. RESOLUTION TIME** (*within office hrs*): **< 15 M**



[help@vivo-us.com](mailto:help@vivo-us.com)

**AVG. RESPONSE TIME** (*within office hrs*): **1HR 8M**

- 23% within < 15m
- 38% within < 30m
- 61% within < 1hr
- 83% within < 2hr
- 92% within < 3hr