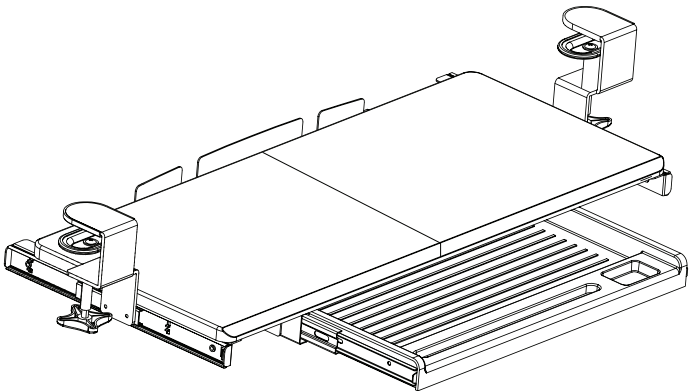




Clamp-on Keyboard Tray with Pencil Drawer

Instruction Manual



SKU: MOUNT-KB05-4D/W



Scan the QR code with your mobile device or follow the link for helpful videos and specifications related to this product.

<https://vivo-us.com/products/mount-kb05-4d>

GET IN TOUCH | Monday-Friday from 7:00am-7:00pm CST



help@vivo-us.com



www.vivo-us.com
Chat live with an agent!



309-278-5303

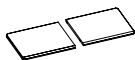
WARNING!

If you do not understand these directions, or if you have any doubts about the safety of the installation, please call a qualified technician. Check carefully to make sure there are no missing or defective parts. Improper installation may cause damage or serious injury. Do not use this product for any purpose that is not explicitly specified in this manual. Do not exceed weight capacity. We cannot be liable for damage or injury caused by improper mounting, incorrect assembly or inappropriate use.

WARNING: CHOKING HAZARD

SMALL PARTS - NOT FOR CHILDREN UNDER 3 YEARS. ADULT SUPERVISION IS REQUIRED.

PACKAGE CONTENTS



A (x1)
Keyboard Tray



B (x1)
Pencil Drawer



C (x2)
Slider Bracket



D (x2)
Pad



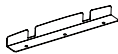
E (x2)
Clamp



F (x2)
Drawer Slider



G (x2)
Connecting Plate



H (x1)
Baffle



S-A (x6)
M4x7mm Screw



S-B (x8)
M5x12mm Screw



S-C (x4)
ST5x12mm Screw



S-D (x12)
M5x12mm Screw

TOOLS NEEDED



**Phillips
Screwdriver**

NOTE: SOME HARDWARE INCLUDED MAY NOT BE USED

DO NOT EXCEED WEIGHT CAPACITY.

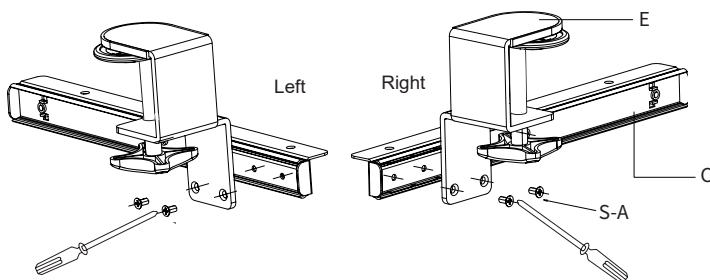
Failure to do so may result in serious injury.



ASSEMBLY STEPS

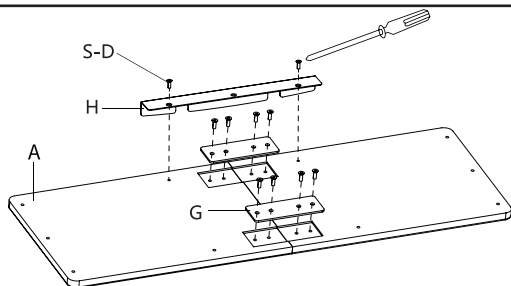
STEP 1

Assemble Slider Brackets (**C**) to Clamps (**E**) using M4x7mm Screws (**S-A**). Tighten with a Phillips screwdriver.



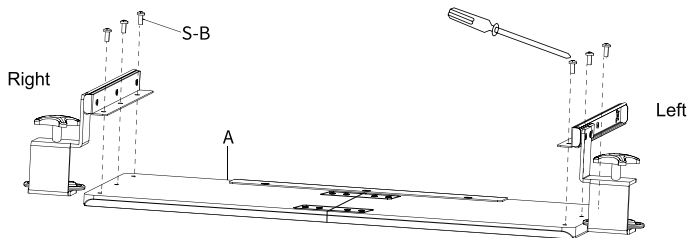
STEP 2

Assemble Keyboard Tray (A) pieces together using Connecting Plates (G), Baffle (H), M5x12mm Screws (S-D), and a Phillips screwdriver.



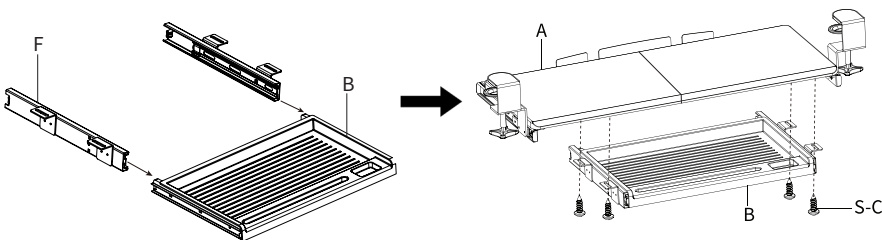
STEP 3

Assemble the slider brackets with clamps to Keyboard Tray (A) using M5x12mm Screws (S-B), and tighten with a Phillips screwdriver. The clamps must be on the opposite end from the center cable guide.



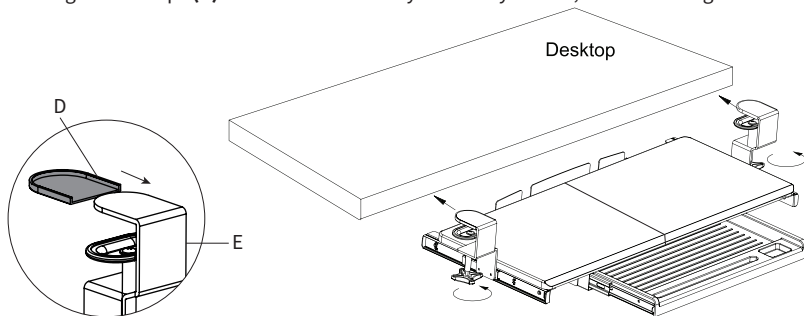
STEP 4

Mount assembled Pencil Drawer (B) to the underside of Keyboard Tray (A) using ST5x12mm Screws (S-C) with a Phillips screwdriver. Slide Pencil Drawer (B) back into the open ends of Drawer Sliders (F) until they are latched together.



STEP 5

Place Pads (D) on the underside of Clamp (E). Place the assembled keyboard mount on the edge of the desk and tighten Clamps (E). **NOTE:** To ensure keyboard tray is level, do not over-tighten Clamps (E).





Open **Monday - Friday 7:00am - 7:00pm** CST,
our dedicated support team can offer immediate assistance with rapid response times. If any parts are received damaged or defective, please contact us. We are happy to replace parts to ensure you have a fully functioning product.



309-278-5303

AVG. RESOLUTION TIME (*within office hrs*): **5M 4S**



www.vivo-us.com
Chat live with an agent!

AVG. RESOLUTION TIME (*within office hrs*): **< 15 M**



help@vivo-us.com

AVG. RESPONSE TIME (*within office hrs*): **1HR 8M**

- 23% within < 15m
- 38% within < 30m
- 61% within < 1hr
- 83% within < 2hr
- 92% within < 3hr