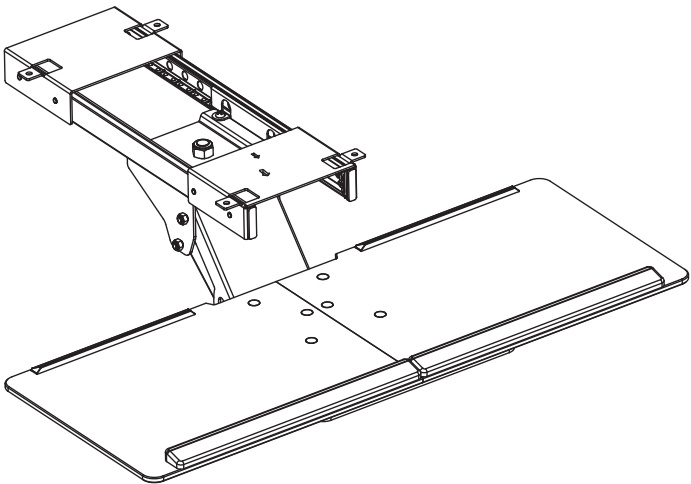




Black Deluxe Under Desk Keyboard Tray Instruction Manual



SKU: MOUNT-KB04C



Scan the QR code with your mobile device or follow the link for helpful videos and specifications related to this product.

<https://vivo-us.com/products/mount-kb04c>

GET IN TOUCH | Monday-Friday from 7:00am-7:00pm CST



help@vivo-us.com



www.vivo-us.com
Chat live with an agent!



309-278-5303

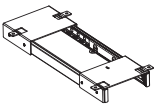
WARNING!

If you do not understand these directions, or if you have any doubts about the safety of the installation, please call a qualified technician. Check carefully to make sure there are no missing or defective parts. Improper installation may cause damage or serious injury. Do not use this product for any purpose that is not explicitly specified in this manual. Do not exceed weight capacity. We cannot be liable for damage or injury caused by improper mounting, incorrect assembly or inappropriate use.

WARNING: CHOKING HAZARD

SMALL PARTS - NOT FOR CHILDREN UNDER 3 YEARS. ADULT SUPERVISION IS REQUIRED.

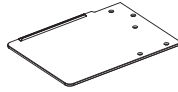
PACKAGE CONTENTS



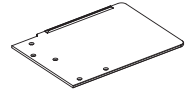
A (x1)
Track



B (x1)
Mounting Bracket



C (x1)
Left Tray



D (x1)
Right Tray



E (x1)
Connecting Bracket



F (x2)
Wrist Rest



S-A (x4)
M5x8mm Screw



S-B (x10)
M5x12mm Screws



S-C (x6)
Screw Cover



W-A (x4)
ST5.5x19mm Screw

TOOLS NEEDED

NOTE: NOT ALL HARDWARE INCLUDED WILL BE USED



**Phillips
Screwdriver**



Drill



Pencil

DO NOT EXCEED WEIGHT CAPACITY.

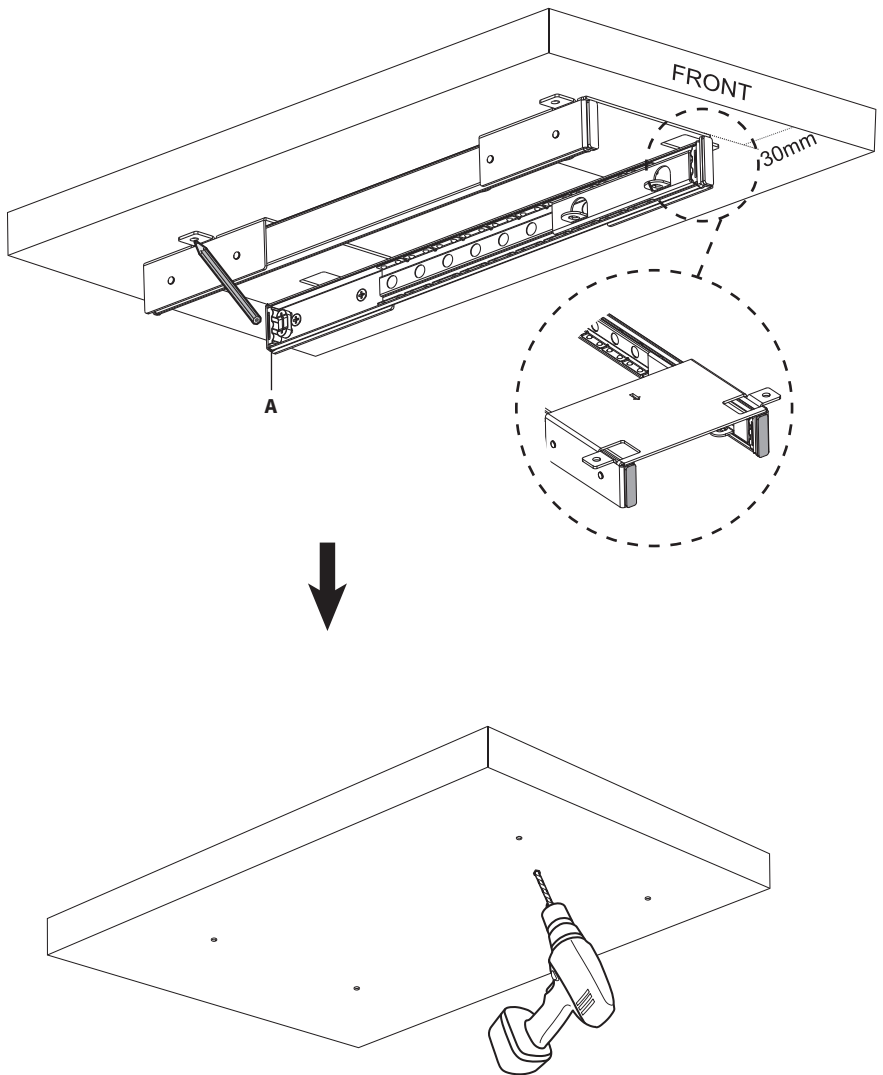
Failure to do so may result in serious injury.



ASSEMBLY STEPS

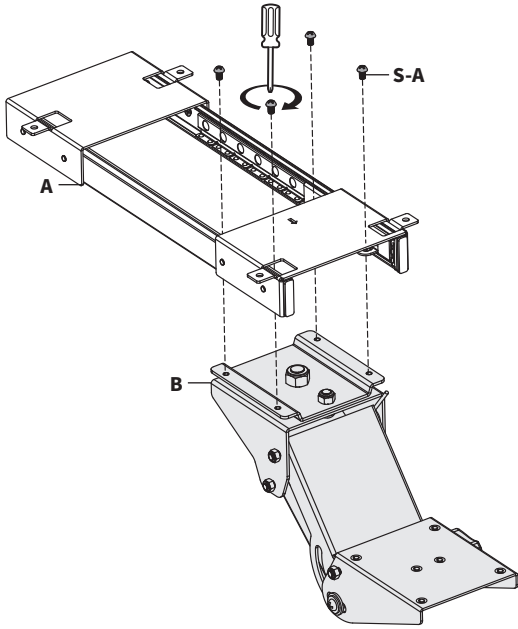
STEP 1

Position Track **(A)** 30mm from the front edge of the desk and mark hole locations with a pencil. Set Track **(A)** aside and drill 15mm (0.6") holes using a 4mm (3/20") drill bit.



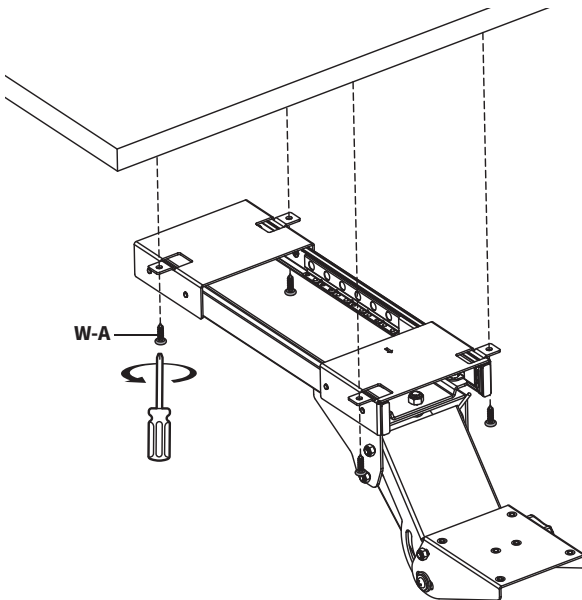
STEP 2

Assemble Mounting Bracket (**B**) to Track (**A**) using M5X8mm Screws (**S-A**) and a Phillips screwdriver.



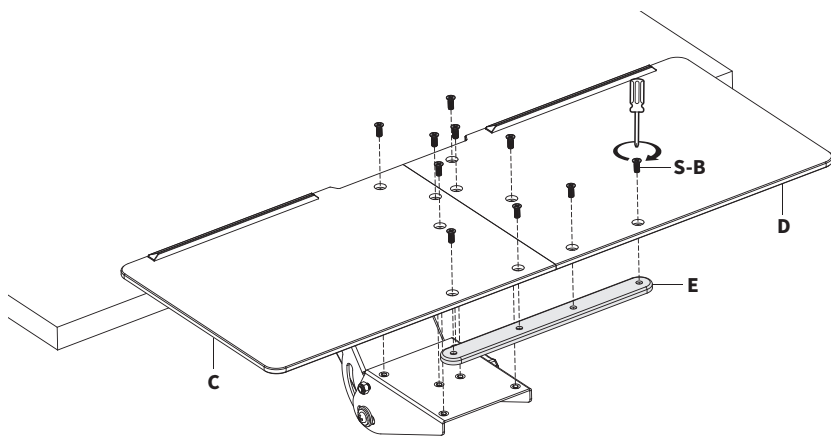
STEP 3

Mount assembly to underside of desk using ST5.5x19mm Screws (**W-A**) and a Phillips screwdriver.



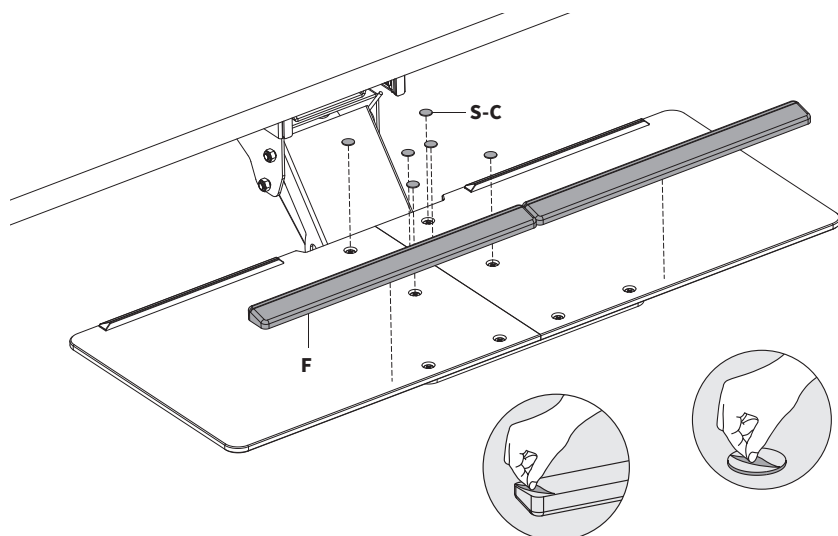
STEP 4

Assemble Right and Left Tray (**C**, **D**) to mount assembly using Connecting Bracket (**E**), M5x12mm Screws (**S-B**) and a Phillips screwdriver.



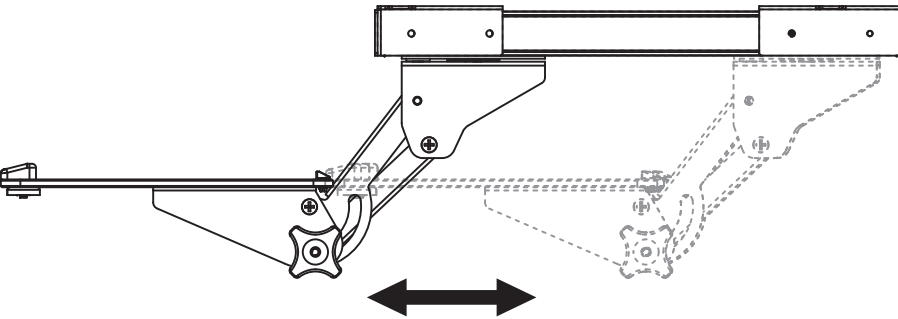
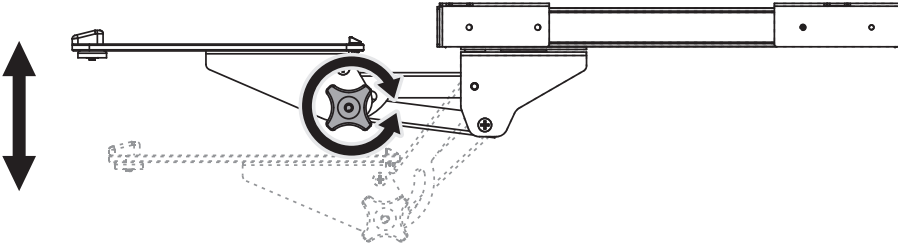
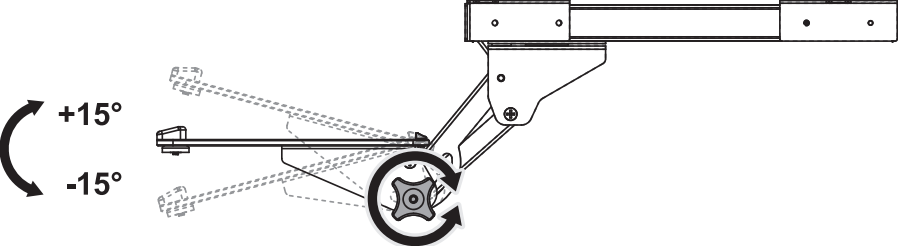
STEP 5

Remove adhesive backing from Screw Covers (**S-C**) and apply over previously installed screws. Remove adhesive backing from Wrist Rests (**F**) and apply to assembled keyboard tray.



Adjustments

Loosen the knob to adjust tilt and height, and tighten in the desired position.



[THIS PAGE INTENTIONALLY LEFT BLANK]



Love your new VIVO setup and want to share?
Tag us in your photo! [@vivo_us](#)

LAST UPDATED: 01/09/2023
REV1



Open **Monday - Friday 7:00am - 7:00pm** CST,
our dedicated support team can offer immediate assistance with rapid response times. If any parts are received damaged or defective, please contact us. We are happy to replace parts to ensure you have a fully functioning product.



309-278-5303

AVG. RESOLUTION TIME (*within office hrs*): **5M 4S**



www.vivo-us.com

Chat live with an agent!

AVG. RESOLUTION TIME (*within office hrs*): **< 15 M**



help@vivo-us.com

AVG. RESPONSE TIME (*within office hrs*): **1HR 8M**
- 23% within < 15m
- 38% within < 30m
- 61% within < 1hr
- 83% within < 2hr
- 92% within < 3hr

FOR MORE VIVO PRODUCTS, CHECK OUT OUR WEBSITE AT: www.vivo-us.com