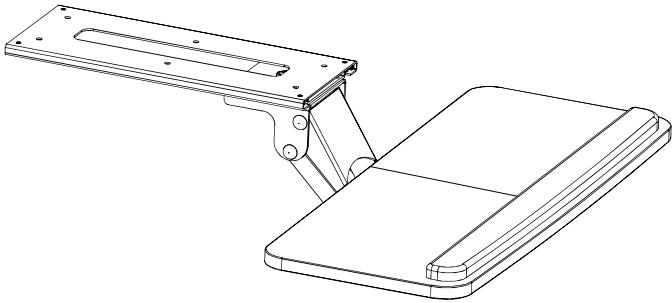




Under Desk Keyboard Tray

Instruction Manual



SKU: MOUNT-KB03B/W



Scan the QR code with your mobile device or follow the link for helpful videos and specifications related to this product.

<https://vivo-us.com/products/mount-kb03b>

GET IN TOUCH | Monday-Friday from 7:00am-7:00pm CST



help@vivo-us.com



www.vivo-us.com
Chat live with an agent!



309-278-5303

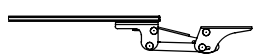
WARNING!

If you do not understand these directions, or if you have any doubts about the safety of the installation, please call a qualified technician. Check carefully to make sure there are no missing or defective parts. Improper installation may cause damage or serious injury. Do not use this product for any purpose that is not explicitly specified in this manual. Do not exceed weight capacity. We cannot be liable for damage or injury caused by improper mounting, incorrect assembly or inappropriate use.

WARNING: CHOKING HAZARD

SMALL PARTS - NOT FOR CHILDREN UNDER 3 YEARS. ADULT SUPERVISION IS REQUIRED.

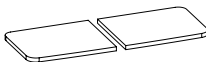
PACKAGE CONTENTS



A (x1)
Mount



B (x1)
Wrist Pad



C (x1)
Tray



D (x1)
Connecting Plate



S-A (x6)
M5x15mm Screw



S-B (x6)
Washer



S-C (x8)
M5x12mm Screw



S-D (x2)
M4x12mm Screw



S-E (x2)
Bumper



S-F (x4)
M5x16mm Screw

TOOLS NEEDED



Phillips
Screwdriver

DO NOT EXCEED WEIGHT CAPACITY.

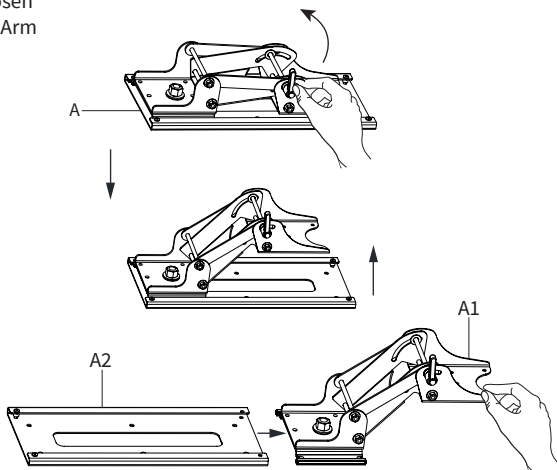
Failure to do so may result in serious injury.



ASSEMBLY STEPS

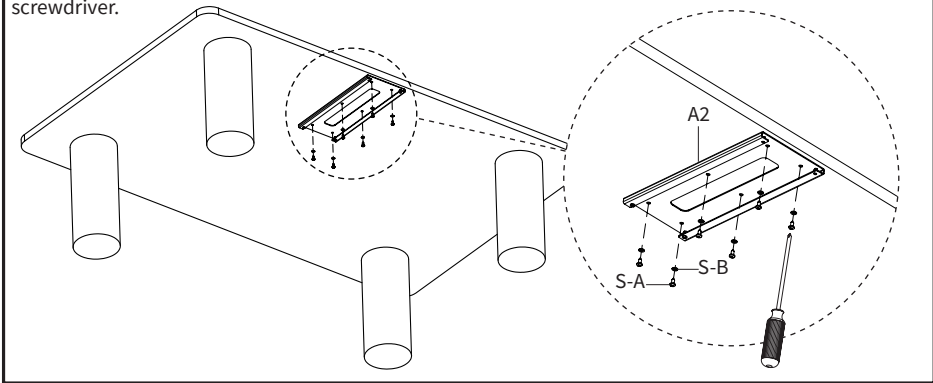
STEP 1

Place Mount (**A**) upside down and loosen the lever on the side. Raise and slide Arm (**A1**) out from Track (**A2**).



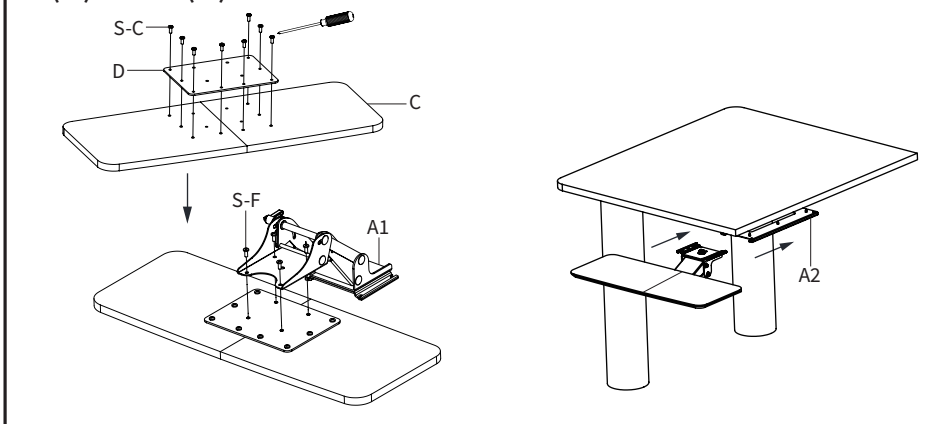
STEP 2

Hold Track **(A2)** against the underside of the desk with the open end of the track facing forward and mark drilling locations with a pencil. Drill $\frac{3}{8}$ " (10mm) deep pilot holes using a $\frac{1}{8}$ " (or 3mm) drill bit, then mount Track **(A2)** to the desk using M5x15mm Screws **(S-A)** and Washers **(S-B)** with a Phillips screwdriver.



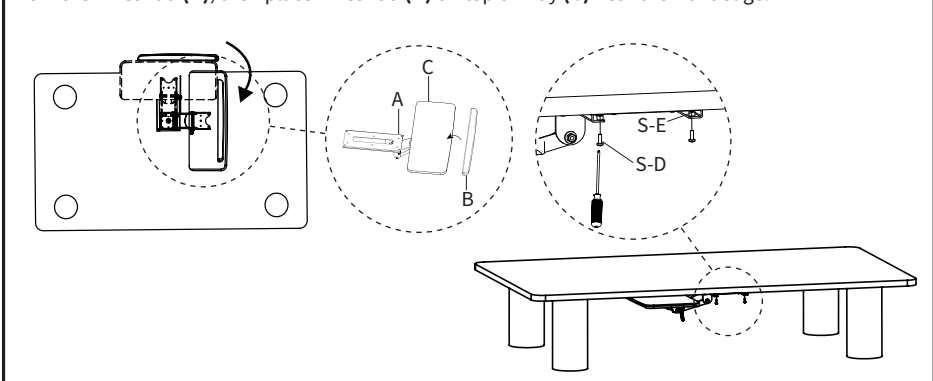
STEP 3

Assemble Tray **(C)** using Connecting Plate **(D)** and M5x12mm Screws **(S-C)** with a Phillips screwdriver. Connect Arm **(A2)** to the tray assembly using M5x16mm Screws **(S-F)** and a Phillips screwdriver. Slide Arm **(A1)** into Track **(A2)**.




STEP 4

Swivel Mount **(A)** sideways, then install M4x12mm Screws **(S-D)** and Bumpers **(S-E)** into the front corners of the Track using a Phillips screwdriver. Swivel the Arm **(A)** forward, remove paper backing from the Wrist Pad **(B)**, then place Wrist Pad **(B)** on top of Tray **(C)** near the front edge.





Open **Monday - Friday 7:00am - 7:00pm** CST,
our dedicated support team can offer immediate assistance with rapid response times. If any parts are received damaged or defective, please contact us. We are happy to replace parts to ensure you have a fully functioning product.

 309-278-5303

AVG. RESOLUTION TIME (*within office hrs*): **5M 4S**

 www.vivo-us.com
Chat live with an agent!

AVG. RESOLUTION TIME (*within office hrs*): **< 15 M**

 help@vivo-us.com

AVG. RESPONSE TIME (*within office hrs*): **1HR 8M**

- 23% within < 15m
- 38% within < 30m
- 61% within < 1hr
- 83% within < 2hr
- 92% within < 3hr