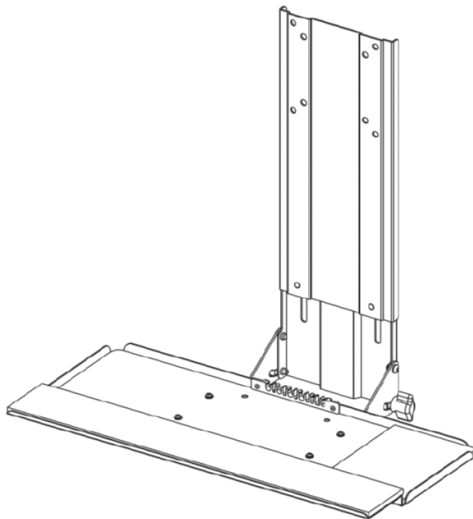


---

## Keyboard Tray

### Instruction Manual



**SKU: MOUNT-KB02**



Scan the QR code with your mobile device or follow the link for helpful videos and specifications related to this product.

<https://vivo-us.com/products/mount-kb02>



help@vivo-us.com



www.vivo-us.com



1-800-371-5654

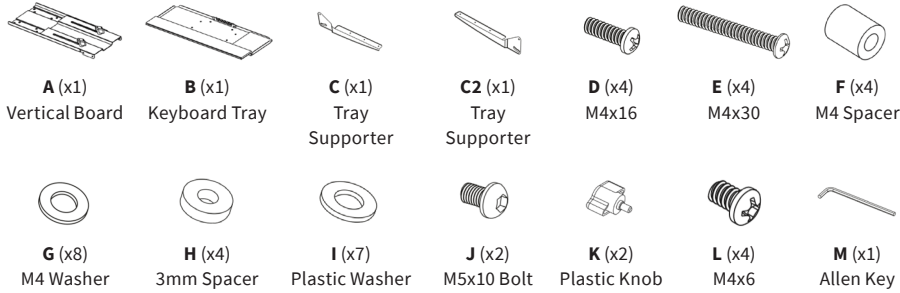
**⚠ WARNING!**

If you do not understand these directions, or if you have any doubts about the safety of the installation, please call a qualified technician. Check carefully to make sure there are no missing or defective parts. Improper installation may cause damage or serious injury. Do not use this product for any purpose that is not explicitly specified in this manual. Do not exceed weight capacity. We cannot be liable for damage or injury caused by improper mounting, incorrect assembly or inappropriate use.

**⚠ WARNING: CHOKING HAZARD**

SMALL PARTS - NOT FOR CHILDREN UNDER 3 YEARS. ADULT SUPERVISION IS REQUIRED.

**PACKAGE CONTENTS**



**TOOLS NEEDED**



**NOTE: NOT ALL HARDWARE INCLUDED WILL BE USED**

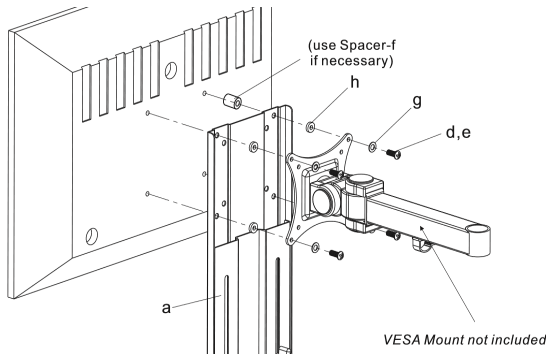
**DO NOT EXCEED WEIGHT CAPACITY.**  
Failure to do so may result in serious injury.



**ASSEMBLY STEPS**

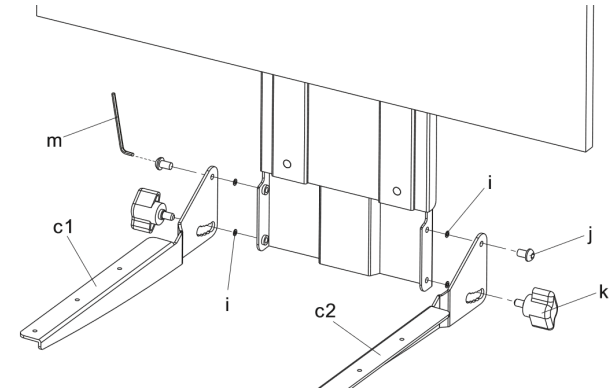
**STEP 1**

Mount Vertical Board (A) between your monitor and the existing VESA mount using Bolts (D, E), Washers (G), and Spacers (H) as shown in diagram. Use spacer (F) if necessary.



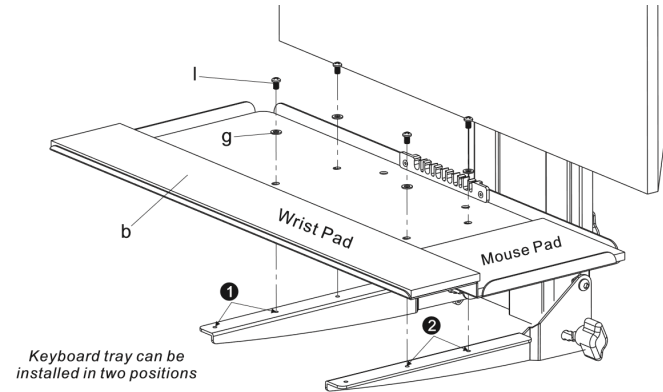
**STEP 2**

Connect Tray Supporters (C1, C2) to Vertical Board (A). Use Bolts (J), Plastic Knobs (K), and Plastic Washer (I) as shown in the diagram. Use the Allen Key (M) to tighten the bolts.



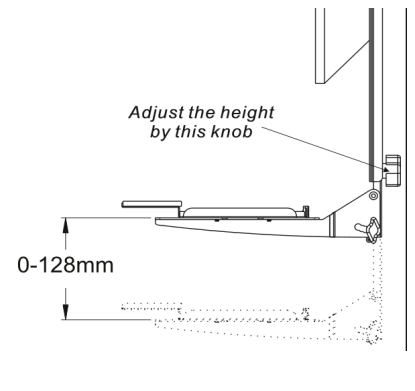
**STEP 3**

Attach Keyboard Tray (B) to Tray Supporters (C1, C2). Use Bolts (L) and Washers (G).



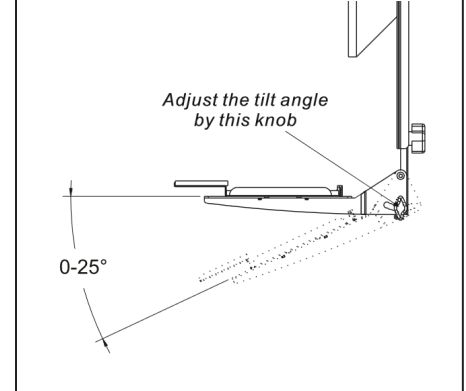
**STEP 4**

Adjust the height using this knob.



**STEP 5**

Adjust the tilt angle using this knob.





Love your new VIVO setup and want to share?

Tag us in your photo! [@vivo\\_us](https://www.instagram.com/vivo_us)

Last Updated: 12/03/2018



If any parts are received damaged or defective, please contact us. We are happy to replace parts to ensure you have a fully functioning product.



[help@vivo-us.com](mailto:help@vivo-us.com)



[www.vivo-us.com](http://www.vivo-us.com)



1-800-371-5654

For more VIVO products, check out our website at:  
[www.vivo-us.com](http://www.vivo-us.com).