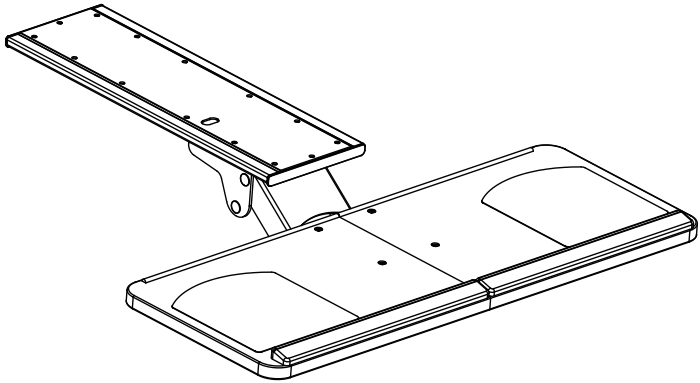




---

## Silver Under Desk Keyboard Tray

Instruction Manual



**SKU: MOUNT-KB01**



Scan the QR code with your mobile device or follow the link for helpful videos and specifications related to this product.

<https://vivo-us.com/products/mount-kb01>

---

**GET IN TOUCH** | Monday-Friday from 7:00am-7:00pm CST



help@vivo-us.com



www.vivo-us.com  
*Chat live with an agent!*



309-278-5303

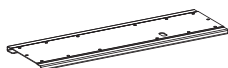
# **WARNING!**

If you do not understand these directions, or if you have any doubts about the safety of the installation, please call a qualified technician. Check carefully to make sure there are no missing or defective parts. Improper installation may cause damage or serious injury. Do not use this product for any purpose that is not explicitly specified in this manual. Do not exceed weight capacity. We cannot be liable for damage or injury caused by improper mounting, incorrect assembly or inappropriate use.

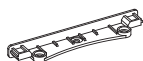
## **WARNING: CHOKING HAZARD**

SMALL PARTS - NOT FOR CHILDREN UNDER 3 YEARS. ADULT SUPERVISION IS REQUIRED.

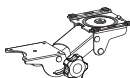
### PACKAGE CONTENTS



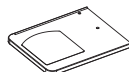
**A** (x1)  
Track



**B** (x2)  
Track Guard



**C** (x1)  
Arm



**D** (x1)  
Left Tray



**E** (x1)  
Right Tray



**F** (x2)  
Wrist Pad



**G** (x1)  
Connecting Plate



**S-A** (x14)  
ST4.2x16mm Screw



**S-B** (x4)  
M5x20mm Screw



**S-C** (x4)  
M5 Nut



**S-D** (x4)  
ST5.5x13mm Screw

### TOOLS NEEDED



**Phillips  
Screwdriver**



**Drill**



**Pencil**



**Wrench**

**DO NOT EXCEED WEIGHT CAPACITY.**

Failure to do so may result in serious injury.

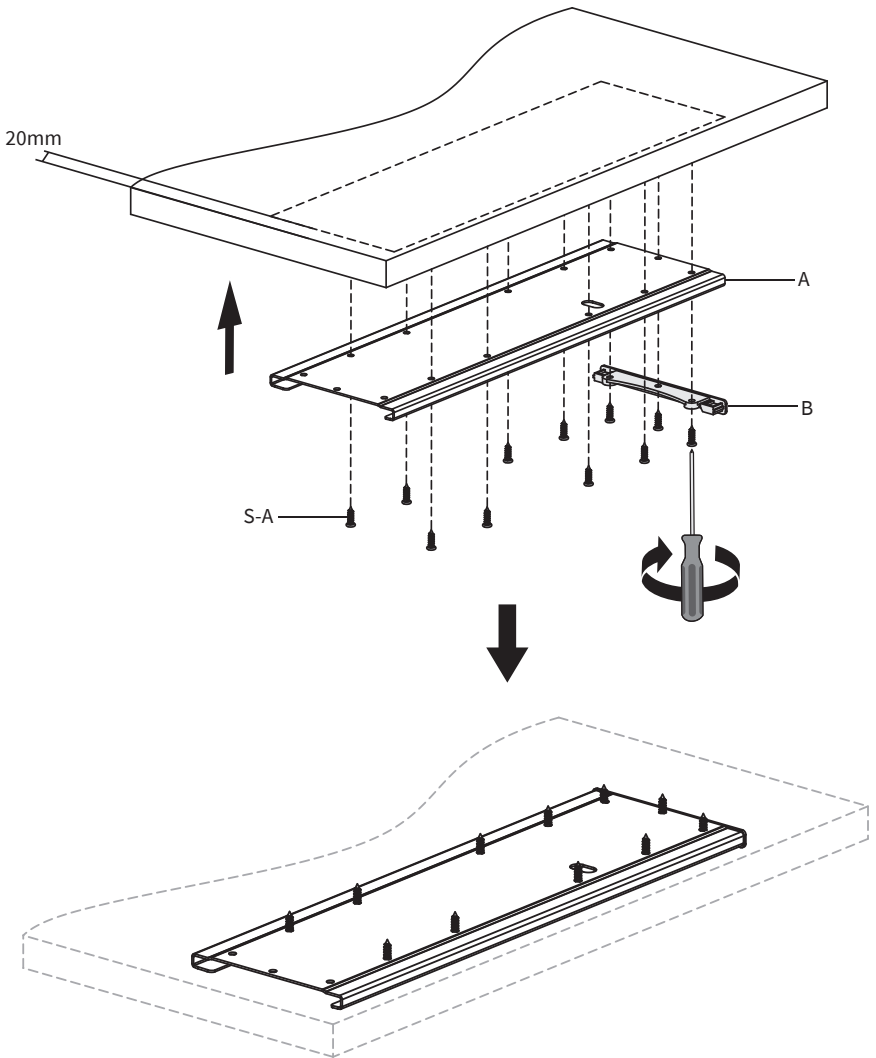


# ASSEMBLY STEPS

## STEP 1

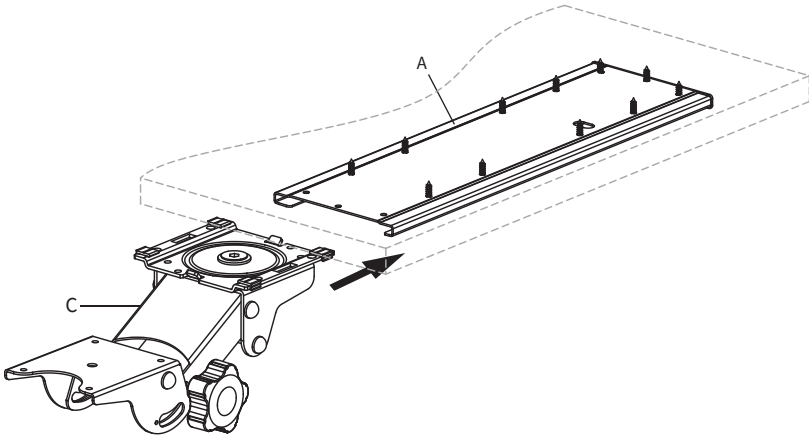
Position Track (A) underneath the desk, at least 20 mm (0.8") from the front edge of the desk, and mark hole locations with a pencil. Drill pilot holes using a 3/32" drill bit 15mm (.6mm) deep.

Using ST4.2x16mm Screws (S-A), attach Track (A) underneath the desk (Leave front three mounting holes unused at this time.) Mount Track Guard (B) to the rear holes using ST4.2x16mm Screws (S-A).



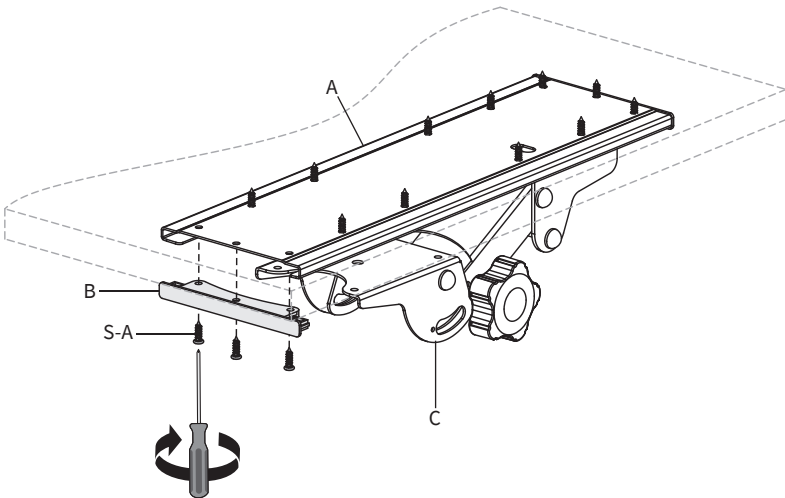
## STEP 2

Slide Arm (C) into Track (A). If Arm (C) doesn't slide smoothly, grease the plastic sliders.



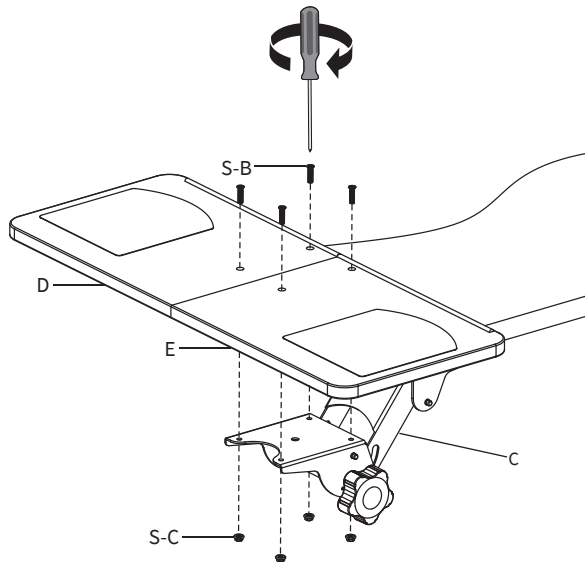
## STEP 3

With the Arm (C) pushed to the back, secure Track Guard (B) to the front of Track (A) using ST4.2x16 Screws (S-A).



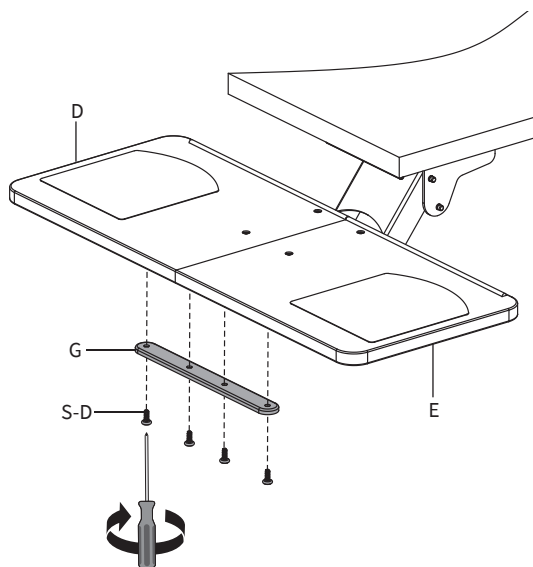
## STEP 4

With Arm (C) pulled out, attach Left Tray (D) and Right Tray (E) to Arm (C) using M5x20mm Screws (S-B) and M5 Nuts (S-C). Tighten using a Phillips screwdriver and wrench.



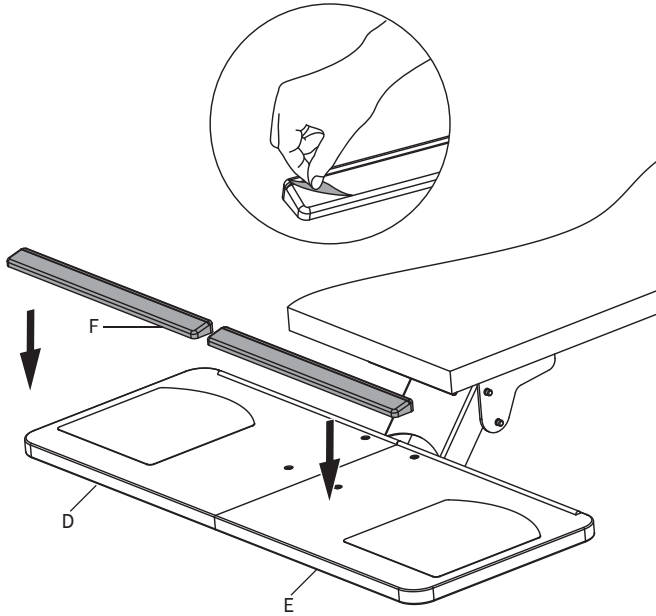
## STEP 5

Assemble Connecting Plate (G) to Left Tray (D) and Right Tray (E) using ST5.5x13mm Screws (S-D) and a Phillips screwdriver.



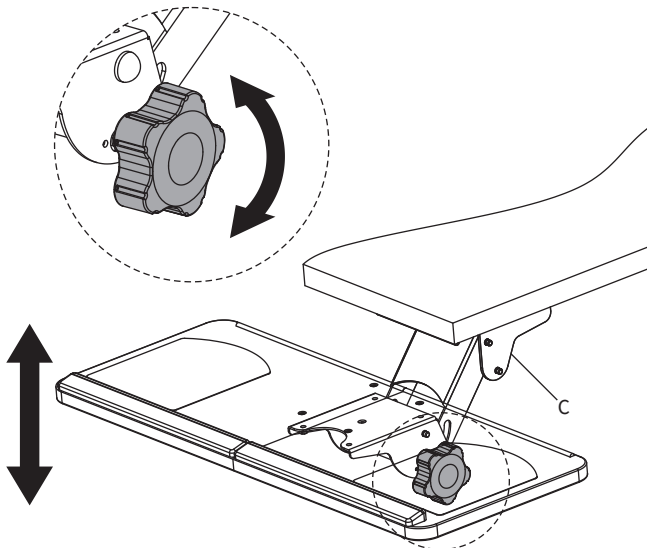
## STEP 6

Remove adhesive backing from Wrist Pads (**F**) and apply them to Left Tray (**D**) and Right Tray (**E**).



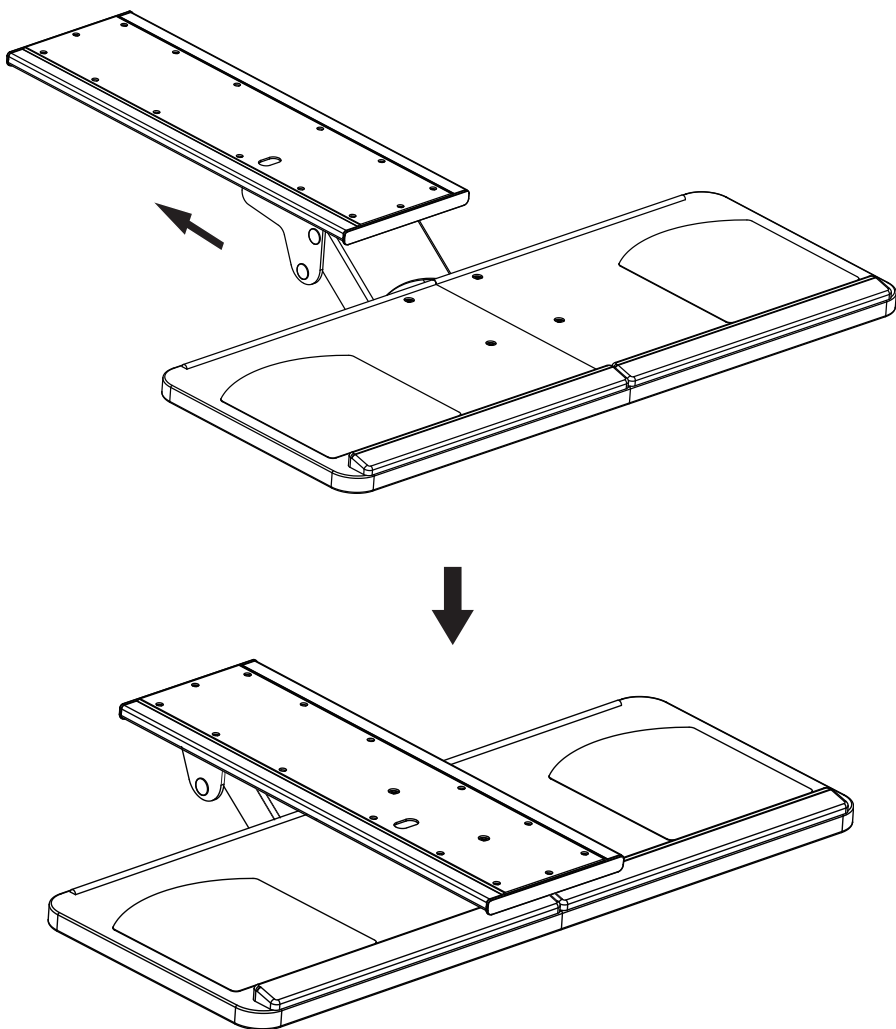
## STEP 7

Adjust the height and tilt of the tray assembly by loosening the knob on Arm (**C**) until in desired position, then retighten the knob.



## STEP 8

Slide the tray assembly under the desktop to store.





Open **Monday - Friday 7:00am - 7:00pm** CST,  
our dedicated support team can offer immediate assistance with rapid response times. If any parts are received damaged or defective, please contact us. We are happy to replace parts to ensure you have a fully functioning product.



309-278-5303

**AVG. RESOLUTION TIME** (*within office hrs*): **5M 4S**



[www.vivo-us.com](http://www.vivo-us.com)  
*Chat live with an agent!*

**AVG. RESOLUTION TIME** (*within office hrs*): **< 15 M**



[help@vivo-us.com](mailto:help@vivo-us.com)

**AVG. RESPONSE TIME** (*within office hrs*): **1HR 8M**

- 23% within < 15m
- 38% within < 30m
- 61% within < 1hr
- 83% within < 2hr
- 92% within < 3hr