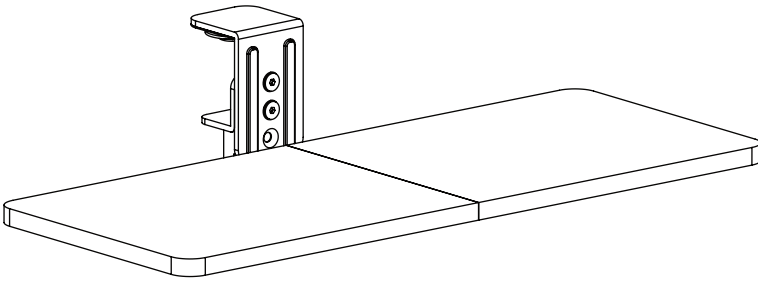


Single Clamp Rotating Keyboard Tray

Instruction Manual



SKU: MOUNT-KB01CB/CW



Scan the QR code with your mobile device or follow the link for helpful videos and specifications related to this product.

<https://vivo-us.com/products/mount-kb01cb>

GET IN TOUCH | Monday-Friday from 7:00am-7:00pm CST



help@vivo-us.com



www.vivo-us.com
Chat live with an agent!



309-278-5303

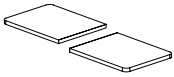
WARNING!

If you do not understand these directions, or if you have any doubts about the safety of the installation, please contact our product support team at 309-278-5303 or help@vivo-us.com for further assistance. Check carefully to make sure there are no missing or defective parts. Improper installation may cause damage or serious injury. Do not use this product for any purpose that is not explicitly specified in this manual. Do not exceed weight capacity. We cannot be liable for damage or injury caused by improper mounting, incorrect assembly or inappropriate use.

WARNING: CHOKING HAZARD

SMALL PARTS - NOT FOR CHILDREN UNDER 3 YEARS. ADULT SUPERVISION IS REQUIRED.

PACKAGE CONTENTS



A (x1)
Tray Set



B (x1)
Tray Support



C (x1)
Upper Clamp



D (x1)
Lower Clamp



E (x2)
Plastic Bushing



F (x1)
Swivel Cap



G (x1)
Non-Slip Pad



S-A (x4)
M8x12mm Screw



S-B (x10)
M5x12mm Screw



T-A (x1)
5mm Allen Wrench

TOOLS NEEDED



DO NOT EXCEED WEIGHT CAPACITY.

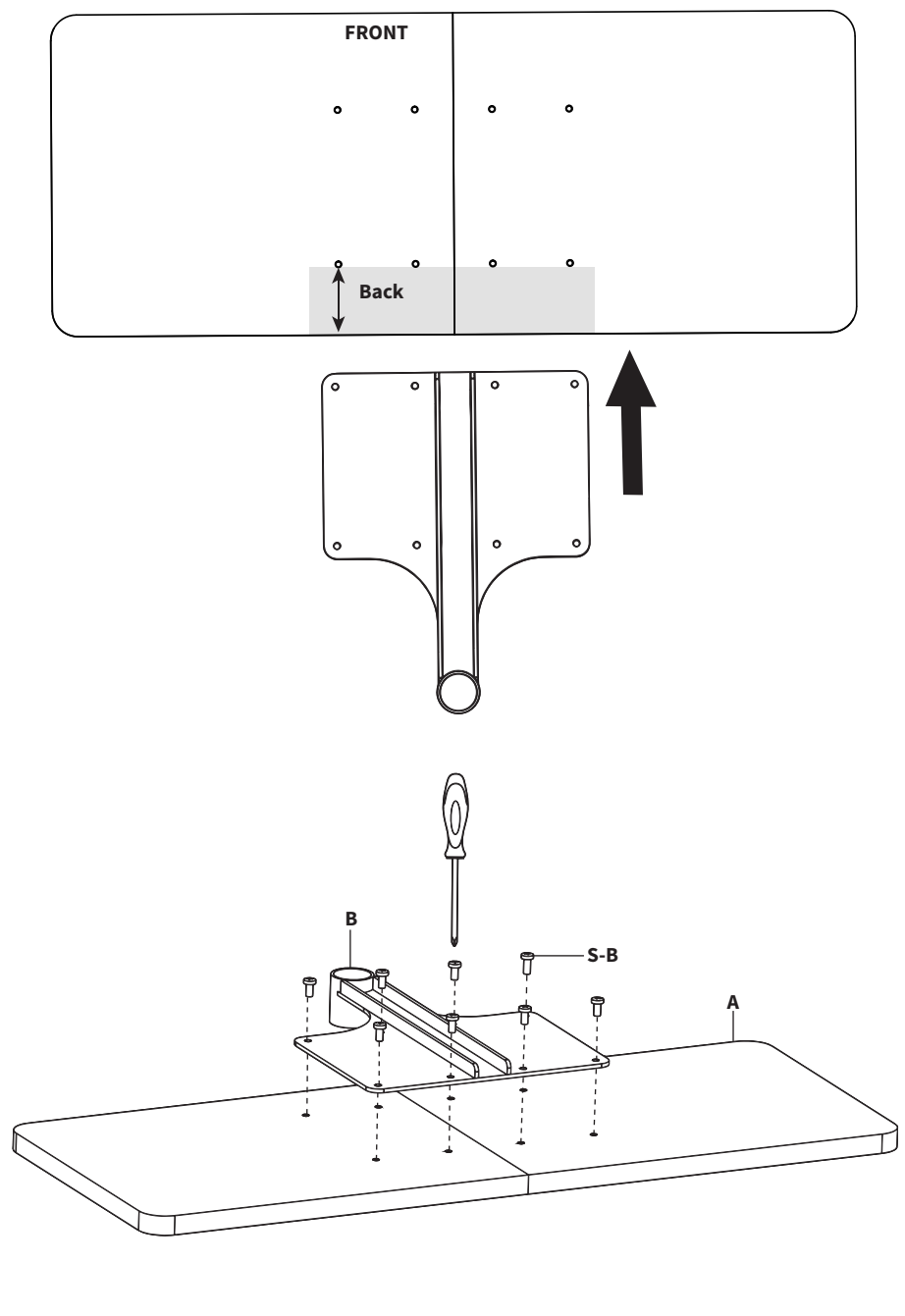
Failure to do so may result in serious injury.



ASSEMBLY STEPS

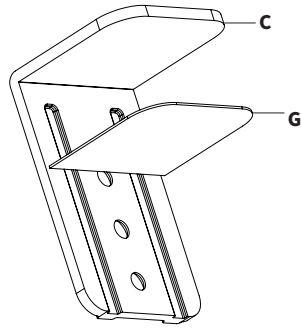
STEP 1

Place Tray Set **(A)** side by side and note the two sets of pilot holes. Identify which set is closer to the combined edge, which will be the back of the tray. Connect Tray Set **(A)** to Tray Support **(B)** from the back using M5x12mm Screws **(S-B)** and a Phillips screwdriver.



STEP 2

Remove backing from Non-Slip Pad (**G**) and apply to underside of Upper Clamp (**C**).

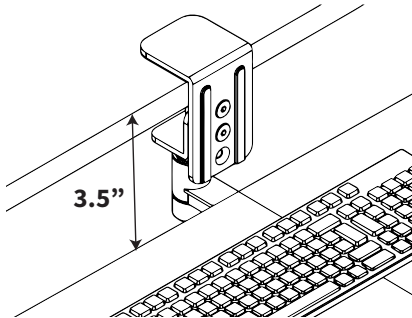


**** STOP HERE ****

Choose An Assembly Option

The Single Clamp features two screw hole sets to allow an adjustable height of keyboard tray below desktop. Reference the chart below to determine your assembly method based on the clearance below the desktop needed for your setup.

Note: This will impact your leg room and available space for taller keyboards.

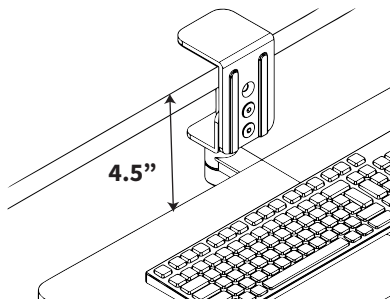


Upper Hole Set

Distance Below Desktop:

3.5"

OR



Lower Hole Set

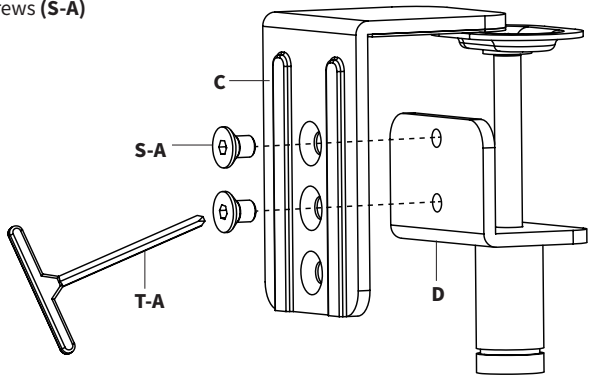
Distance Below Desktop:

4.5"

Proceed to STEP 3

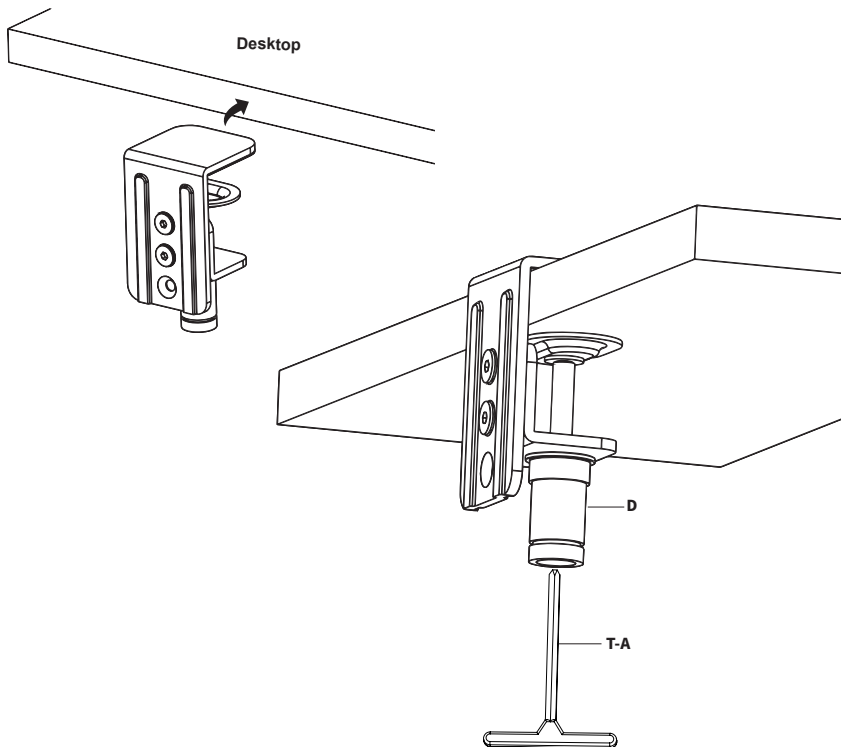
STEP 3

Connect Upper Clamp (C) to Lower Clamp (D) using M8x12mm Screws (S-A) and 5mm Allen Wrench (T-A).



Need More Keyboard Clearance? If you are using the upper set of holes and do not have adequate space for your keyboard, switch to the lower set.

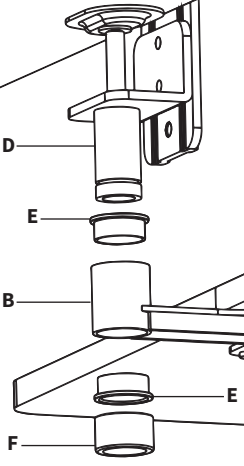
Place the clamp assembly onto the desktop. Insert 5mm Allen Wrench (T-A) into underside of Lower Clamp (D) and tighten to secure to desktop.



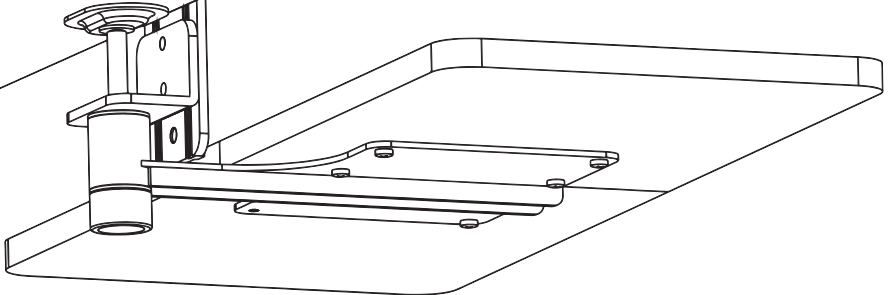
STEP 4

Insert Plastic Bushings (E) into Tray Support (B). Secure Tray Support (B) to Lower Clamp (D) using Swivel Cap (F).

Desktop

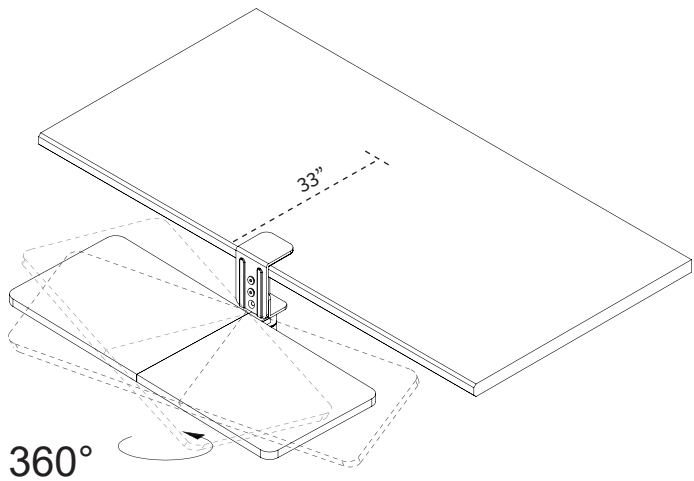
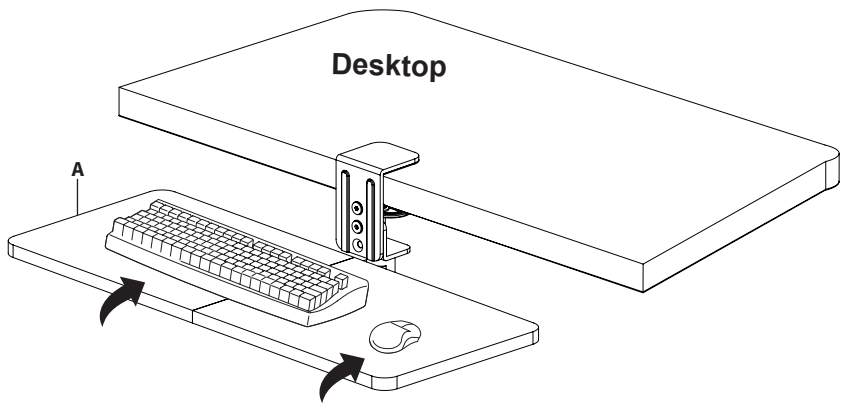


Desktop



STEP 5

Place keyboard and mouse on Tray Set (A) and adjust as desired.



NOTE: Requires 33" rotation clearance; ensure there are no under desk obstructions.



Open **Monday - Friday 7:00am - 7:00pm** CST,
our dedicated support team can offer immediate assistance with rapid response times. If any parts are received damaged or defective, please contact us. We are happy to replace parts to ensure you have a fully functioning product.



309-278-5303

AVG. RESOLUTION TIME (*within office hrs*): **5M 4S**



www.vivo-us.com
Chat live with an agent!

AVG. RESOLUTION TIME (*within office hrs*): **< 15 M**



help@vivo-us.com

AVG. RESPONSE TIME (*within office hrs*): **1HR 8M**

- 23% within < 15m
- 38% within < 30m
- 61% within < 1hr
- 83% within < 2hr
- 92% within < 3hr