

Under Desk Rotating Keyboard Tray

SKU: MOUNT-KB01B

Instruction Manual

Assembly Video & Product Info
www.vivo-us.com/products/mount-kb01b



! CAUTION! !

If you do not understand these directions, or if you have any doubts about the safety of the installation, please contact our product support team at 309-278-5303 or help@vivo-us.com for further assistance. Check carefully to make sure there are no missing or defective parts. Improper installation may cause damage or serious injury. Do not use this product for any purpose that is not explicitly specified in this manual. Do not exceed weight capacity. We cannot be liable for damage or injury caused by improper mounting, incorrect assembly or inappropriate use.



WARNING: CHOKING HAZARD

SMALL PARTS - NOT FOR CHILDREN UNDER 3 YEARS. ADULT SUPERVISION IS REQUIRED.



DO NOT EXCEED WEIGHT CAPACITY

FAILURE TO DO SO MAY RESULT IN SERIOUS INJURY.

We're Here for You

Open **Monday - Friday 7:00am - 7:00pm** CST, our dedicated support team can offer immediate assistance with rapid response times. If any parts are received damaged or defective, please contact us. We are happy to replace parts to ensure you have a fully functioning product.



Give us a Call:
309-278-5303

AVG. RESOLUTION TIME (*within office hrs*): **5M 4S**



Chat Us:
www.vivo-us.com

AVG. RESOLUTION TIME (*within office hrs*): **< 15 M**

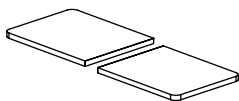


Email Us:
help@vivo-us.com

AVG. RESPONSE TIME (*within office hrs*): **1HR 8M**

- 23% within < 15m
- 38% within < 30m
- 61% within < 1hr
- 83% within < 2hr
- 92% within < 3hr

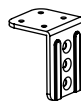
Package Contents



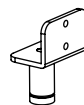
A (x1)
Tray Set



B (x1)
Tray Support



C (x1)
Upper Mount



D (x1)
Lower Mounting Bracket



E (x1)
Swivel Cap



F (x2)
Plastic Bushing



G (x1)
Template

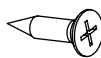
Included Hardware & Tools



S-A (x4)
M8x12mm
Screw



S-B (x10)
M5x12mm
Screw



M-A (x6)
ST5x16mm
Screw



T-A (x1)
5mm Allen Wrench

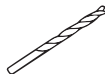
Tools Needed:



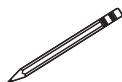
**Phillips
Screwdriver**



Drill



**3mm
Drill Bit**



Pencil

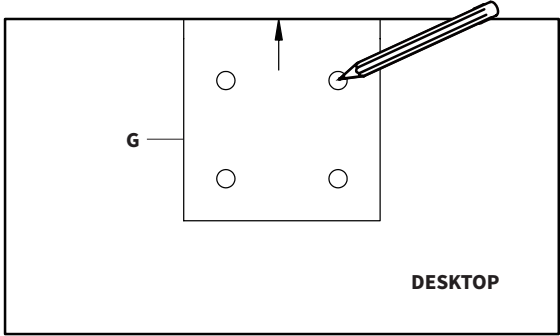
Weight Capacity:



ASSEMBLY STEPS

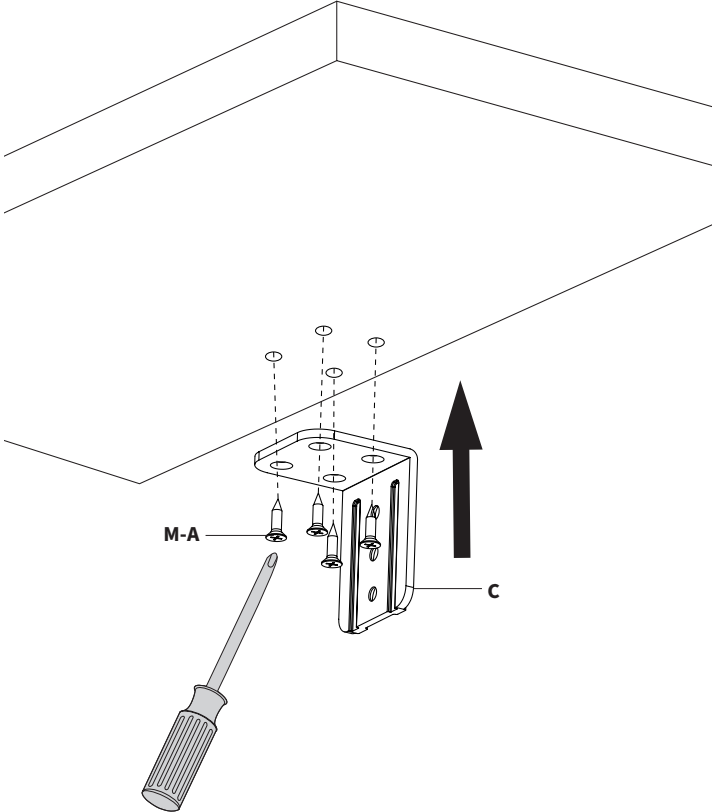
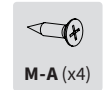
STEP 1

Align the Mounting Template (**G**) to the underside edge of your desktop with the arrow facing the desktop edge. Tape to temporarily hold in place. Mark and drill $.39''$ (10mm) deep pilot holes using a $3/16$ (3mm) drill bit. Remove Template.



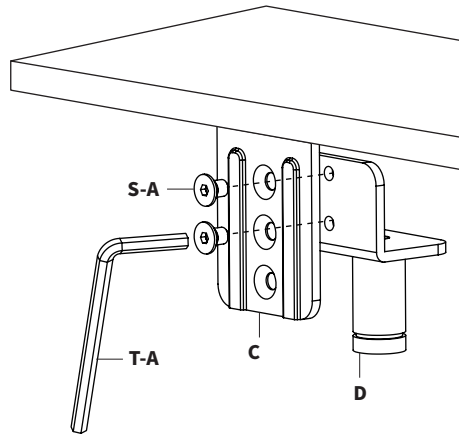
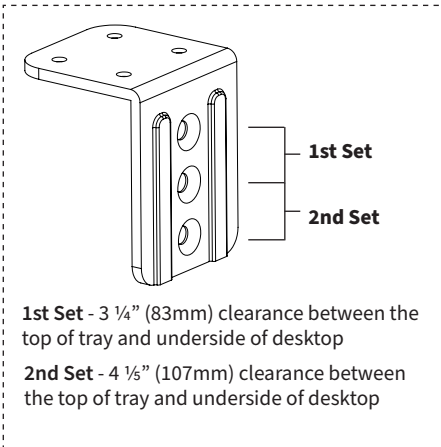
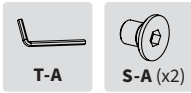
STEP 2

Install the Upper Mounting Bracket (**C**) to the desktop using ST5x16mm Screws (**M-A**) and a Phillips screwdriver.



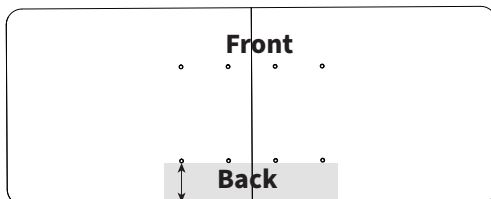
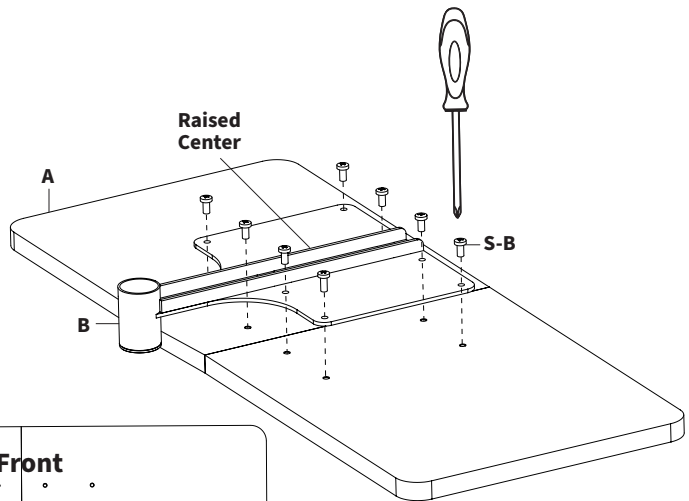
STEP 3

Attach the Lower Mounting Bracket (**D**) to the Upper Mounting Bracket (**C**) using M8x12mm Screws (**S-A**), tightening with 5mm Allen Wrench (**T-A**). Select the mounting holes that match your desired under desk clearance.



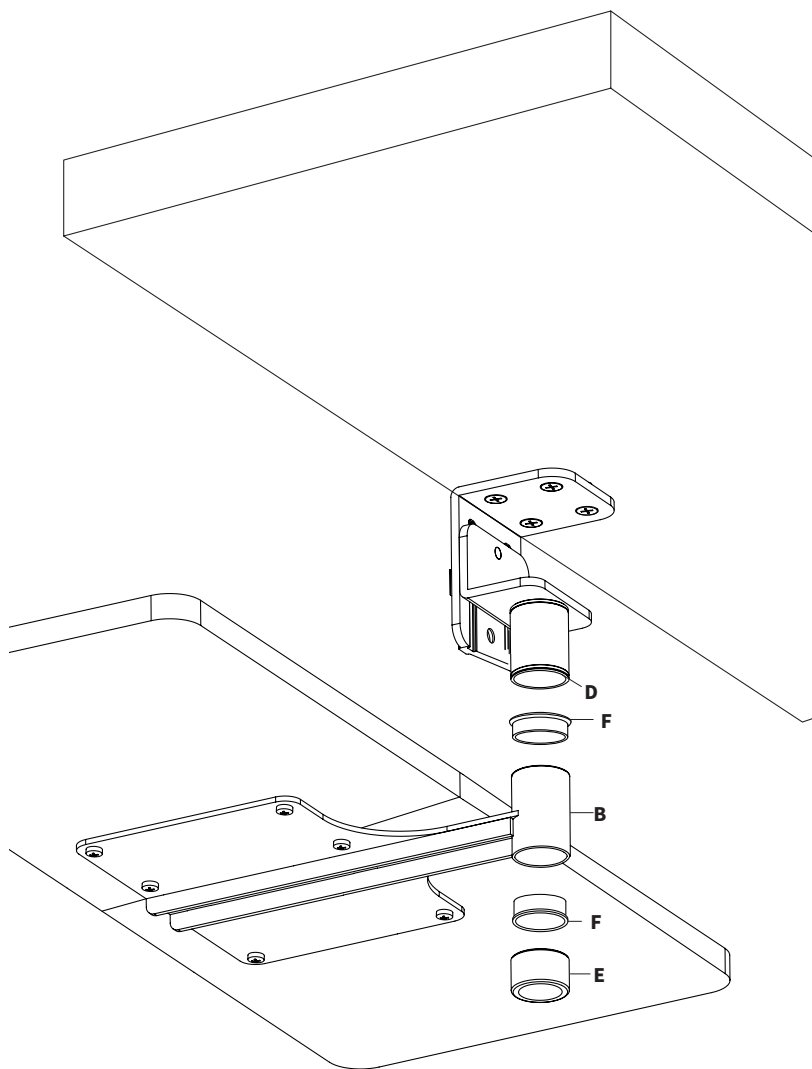
STEP 4

Place Tray Set (**A**) side by side and note the two sets of pilot holes. Identify which set is closer to the combined edge; this is the backside of the tray. Place Tray Support (**B**) onto Tray Set from the back side, with **Raised Center** facing up. Secure using M5x12mm Screws (**S-B**) and a Phillips screwdriver.



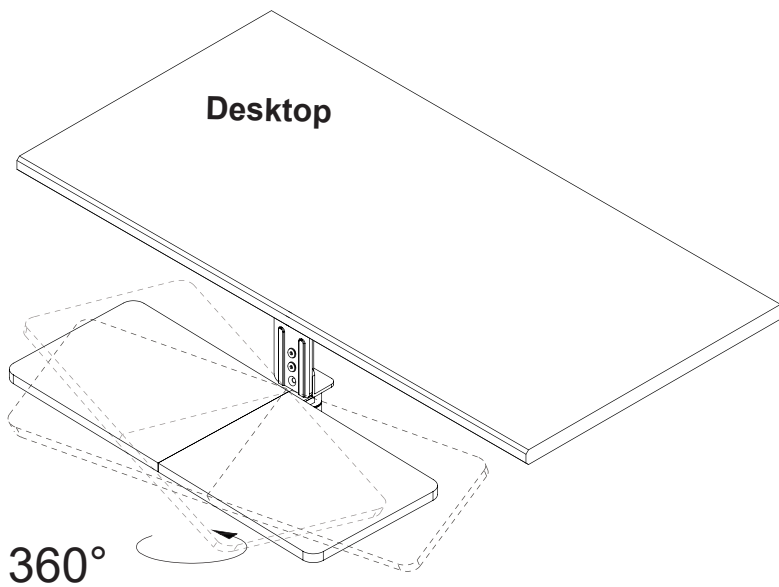
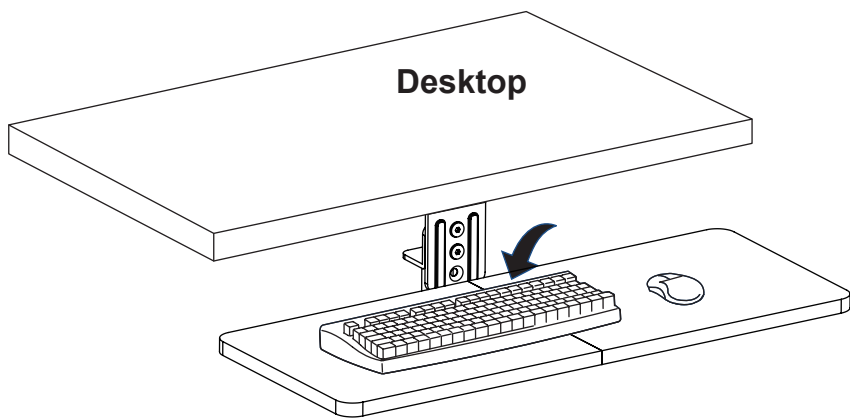
STEP 5

Insert Plastic Bushings (**F**) into top and bottom of Tray Support (**B**) post. Secure the Tray Support (**B**) to the Lower Mounting Bracket (**D**) by threading the Swivel Cap (**E**) to Lower Mounting Bracket post.



STEP 6

Place keyboard and mouse onto assembled tray and adjust as desired.



LAST UPDATED: 10/09/23

REV1

v1.0



Need Help? Get In Touch

Monday-Friday from 7:00am-7:00pm CST



help@vivo-us.com



www.vivo-us.com

Chat live with an agent!



309-278-5303



VIVO-us



@vivo_us

FOR MORE GREAT VIVO PRODUCTS,
CHECK OUT OUR WEBSITE AT: WWW.VIVO-US.COM