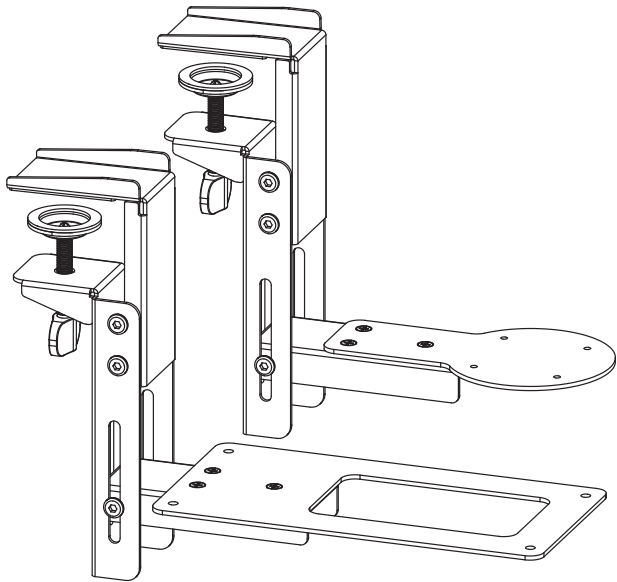




Black Clamp-on Joystick Mount

Instruction Manual



SKU: MOUNT-JS1



Scan the QR code with your mobile device or follow the link for helpful videos and specifications related to this product.

<https://vivo-us.com/products/mount-js1>

GET IN TOUCH | Monday-Friday from 7:00am-7:00pm CST



help@vivo-us.com



www.vivo-us.com
Chat live with an agent!



309-278-5303

⚠ WARNING!

If you do not understand these directions, or if you have any doubts about the safety of the installation, please call a qualified technician. Check carefully to make sure there are no missing or defective parts. Improper installation may cause damage or serious injury. Do not use this product for any purpose that is not explicitly specified in this manual and do not exceed weight capacity. We cannot be liable for damage or injury caused by improper mounting, incorrect assembly, or inappropriate use.

⚠ WARNING: CHOKING HAZARD

SMALL PARTS - NOT FOR CHILDREN UNDER 3 YEARS. ADULT SUPERVISION IS REQUIRED.

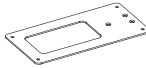
PACKAGE CONTENTS



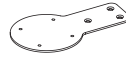
A (x2)
Clamp



B (x2)
Mount Support



C (x1)
Throttle Plate



D (x1)
Joystick Plate



S-A (x6)
M8x12mm
Screw



S-B (x6)
M6x12mm
Screw



S-C (x4)
M4x10mm
Screw



S-D (x4)
M5x15mm
Screw



S-E (x4)
M5 Nut



T-A (x1)
5mm Allen
Wrench



T-B (x1)
8mm Wrench

TOOLS NEEDED



Phillips
Screwdriver

DO NOT EXCEED WEIGHT CAPACITY.

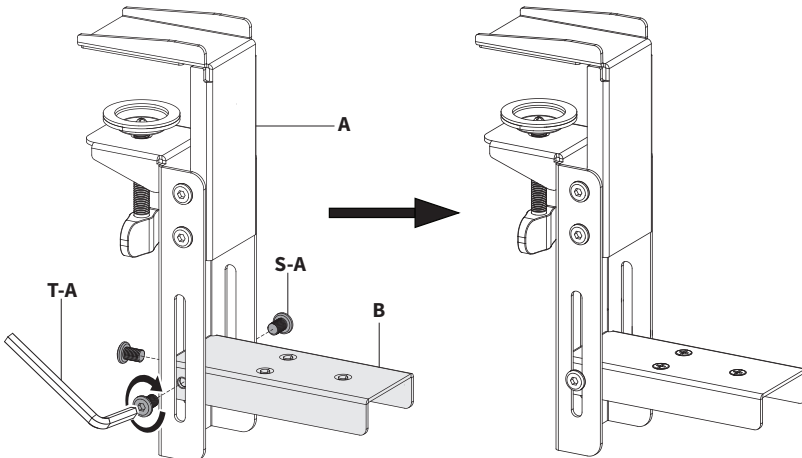
Failure to do so may result in serious injury.

11lbs
(5kg)

ASSEMBLY STEPS

STEP 1

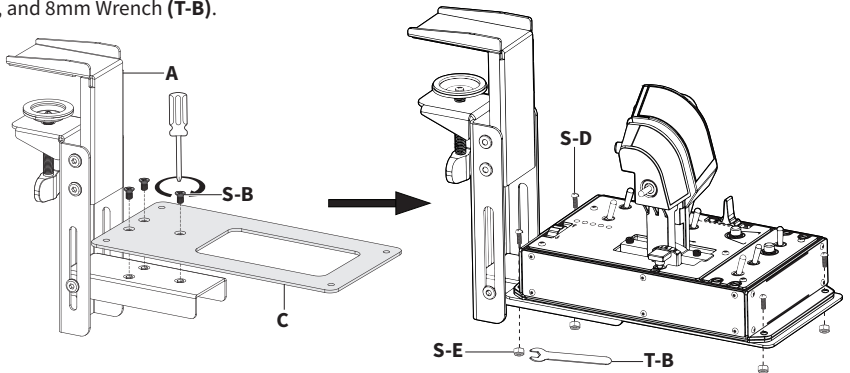
Install Mount Supports (**B**) to Clamp (**A**) using M8x12mm Screws (**S-A**) and 5mm Allen Wrench (**T-A**). To adjust the height, slightly loosen all M8x12mm Screws (**S-A**), move Mount Support (**B**) along the slot, and then tighten screws at desired height.



STEP 2

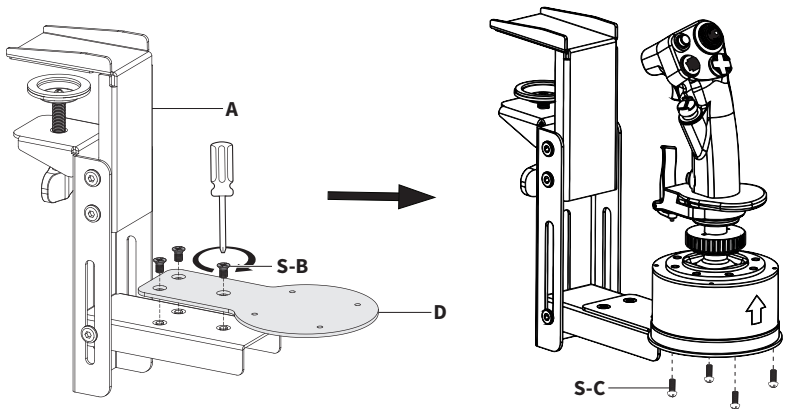
Throttle Install

Assemble Throttle Plate (C) to Clamp (A) using M6x12mm Screws (S-B) and a Phillips screwdriver. Install the throttle to Throttle Plate (C) using M5x15mm Screws (S-D), M5 Nuts (S-E), a Phillips screwdriver, and 8mm Wrench (T-B).



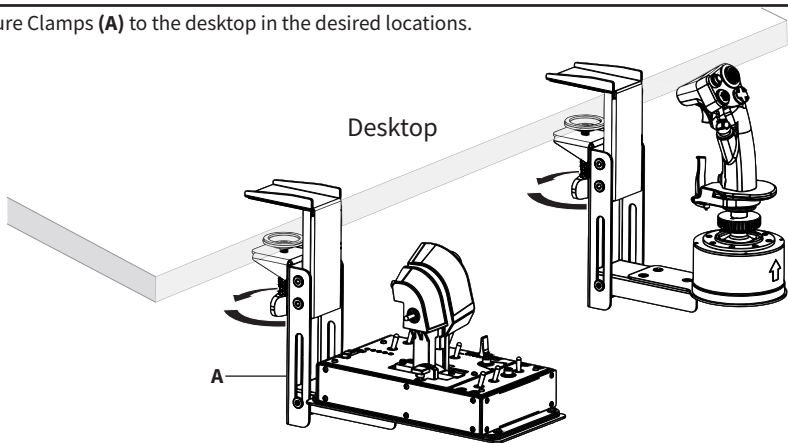
Joystick Install

Remove the weighted base from the joystick following the manufacturer's instructions. Assemble Joystick Plate (D) to Clamp (A) using M6x12mm Screws (S-B) and a Phillips screwdriver. Remove the weighted base following the manufacturer's instructions. Install the joystick to Joystick Plate (D) using M4x10mm Screws (S-C) and a Phillips screwdriver.



STEP 3

Secure Clamps (A) to the desktop in the desired locations.





Open **Monday - Friday 7:00am - 7:00pm** CST,
our dedicated support team can offer immediate assistance with rapid response times. If any parts are received damaged or defective, please contact us. We are happy to replace parts to ensure you have a fully functioning product.



309-278-5303

AVG. RESOLUTION TIME (*within office hrs*): **5M 4S**



www.vivo-us.com
Chat live with an agent!

AVG. RESOLUTION TIME (*within office hrs*): **< 15 M**



help@vivo-us.com

AVG. RESPONSE TIME (*within office hrs*): **1HR 8M**
- 23% within < 15m
- 38% within < 30m
- 61% within < 1hr
- 83% within < 2hr
- 92% within < 3hr