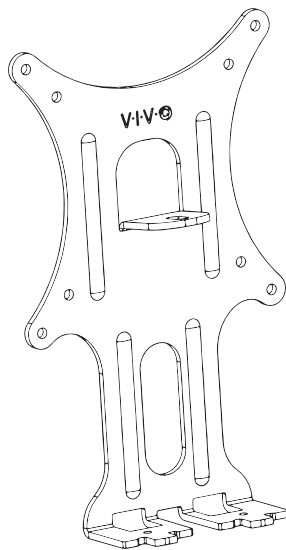




VESA Adapter for Compatible HP Pavilion Monitors

Instruction Manual



SKU: MOUNT-HP23XW



Scan the QR code with your mobile device or follow the link for helpful videos and specifications related to this product.

<https://vivo-us.com/products/mount-hp23xw>

GET IN TOUCH | Monday-Friday from 7:00am-7:00pm CST



help@vivo-us.com



www.vivo-us.com
Chat live with an agent!



309-278-5303

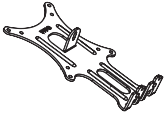
WARNING!

If you do not understand these directions, or if you have any doubts about the safety of the installation, please call a qualified technician. Check carefully to make sure there are no missing or defective parts. Improper installation may cause damage or serious injury. Do not use this product for any purpose that is not explicitly specified in this manual. Do not exceed weight capacity. We cannot be liable for damage or injury caused by improper mounting, incorrect assembly or inappropriate use.

WARNING: CHOKING HAZARD

SMALL PARTS - NOT FOR CHILDREN UNDER 3 YEARS. ADULT SUPERVISION IS REQUIRED.

PACKAGE CONTENTS



A (x1)
VESA Adapter



S-A (x4)
M4x10 Thumbscrew



S-B (x5)
M4 Washer



S-C (x1)
M4x12 Screw



S-D (x2)
M4x50 Screw



S-E (x2)
Rubber Pad

TOOLS NEEDED

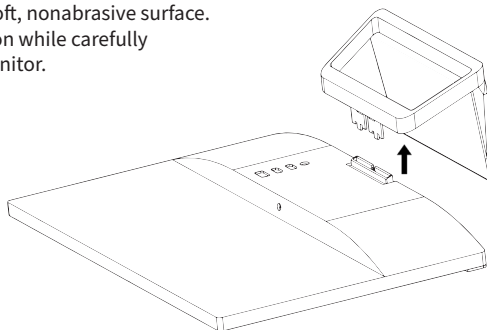


**Phillips
Screwdriver**

ASSEMBLY STEPS

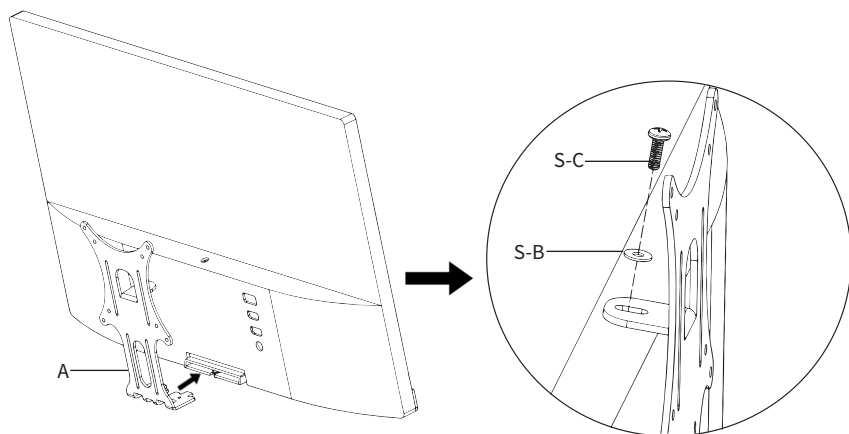
STEP 1

Place monitor face down on a soft, nonabrasive surface. Press and hold the release button while carefully detaching the base from the monitor.



STEP 2

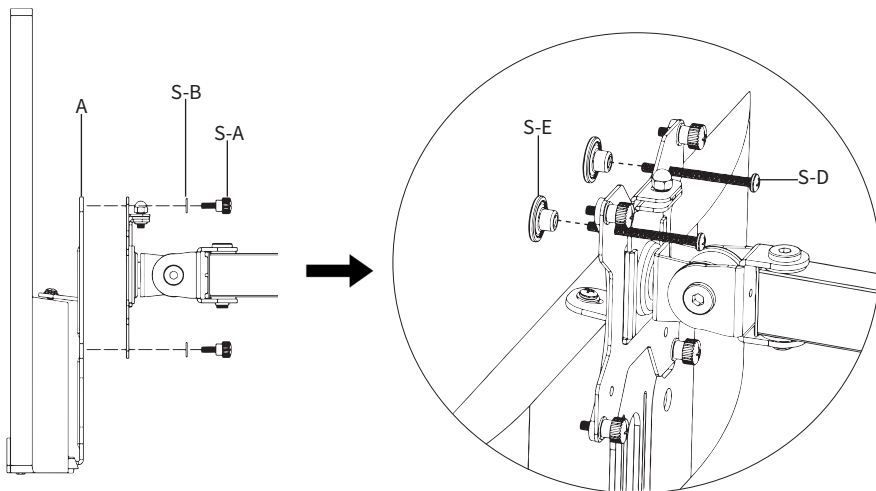
Insert VESA Adapter **(A)** into the monitor until it locks in place, then insert M4x12 Screw **(S-C)** and M4 Washer **(S-B)** through the top of the adapter and into the hole in the monitor. Tighten securely with a phillips screwdriver.



STEP 3

Connect the VESA plate to the VESA Adapter **(A)** using M4x10 Thumbscrews **(S-A)** and remaining Washers **(S-B)**. Partially insert M4x50 Screws **(S-D)** into the top two unused holes of the VESA plate and VESA Adapter **(A)**. Place Rubber Pads **(S-E)** on the ends of the screws, and tighten until pads are pressed lightly against the monitor.

NOTE: Once the thumbscrews are finger-tight, it is not necessary, but recommended to tighten slightly more with a phillips screwdriver.





Open **Monday - Friday 7:00am - 7:00pm** CST,
our dedicated support team can offer immediate assistance with rapid response times. If any parts are received damaged or defective, please contact us. We are happy to replace parts to ensure you have a fully functioning product.



309-278-5303

AVG. RESOLUTION TIME (*within office hrs*): **5M 4S**



www.vivo-us.com
Chat live with an agent!

AVG. RESOLUTION TIME (*within office hrs*): **< 15 M**



help@vivo-us.com

AVG. RESPONSE TIME (*within office hrs*): **1HR 8M**

- 23% within < 15m
- 38% within < 30m
- 61% within < 1hr
- 83% within < 2hr
- 92% within < 3hr