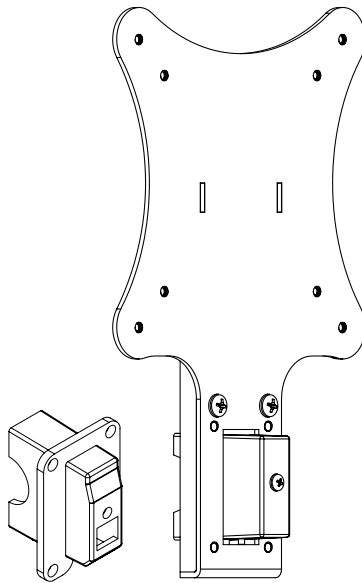




VESA Adapter for Compatible HP M-Series Monitors

Instruction Manual



SKU: MOUNT-HP02M



Scan the QR code with your mobile device or follow the link for helpful videos and specifications related to this product.

<https://vivo-us.com/products/mount-hp02m>

GET IN TOUCH | Monday-Friday from 7:00am-7:00pm CST



help@vivo-us.com



www.vivo-us.com
Chat live with an agent!



309-278-5303

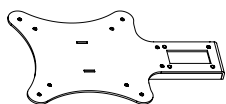
⚠ WARNING!

If you do not understand these directions, or if you have any doubts about the safety of the installation, please call a qualified technician. Check carefully to make sure there are no missing or defective parts. Improper installation may cause damage or serious injury. Do not use this product for any purpose that is not explicitly specified in this manual. Do not exceed weight capacity. We cannot be liable for damage or injury caused by improper mounting, incorrect assembly or inappropriate use.

⚠ WARNING: CHOKING HAZARD

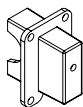
SMALL PARTS - NOT FOR CHILDREN UNDER 3 YEARS. ADULT SUPERVISION IS REQUIRED.

PACKAGE CONTENTS



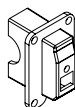
A (x1)

VESA Adapter



B (x1)

F Model Connector



C (x1)

FWA Model Connector



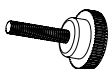
S-A (x4)
M4x5mm
Screw



S-B (x2)
M4x12mm
Screw



S-C (x2)
M4 Caps



S-D (x4)
M4x12mm
Thumbscrew



S-E (x1)
M3x8mm
Screw



S-F (x4)
M4 washer

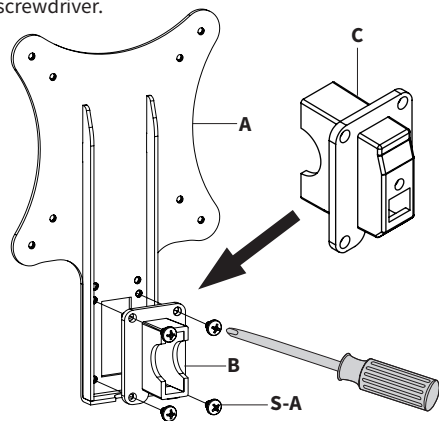
TOOLS NEEDED



ASSEMBLY STEPS

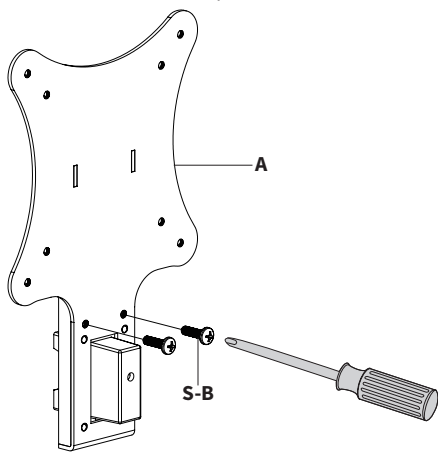
STEP 1

Install the appropriate Adapter (**B** or **C**) for your monitor to the front of VESA Adapter (**A**) using M4x5mm Screws (**S-A**) and tighten with a Phillips screwdriver.



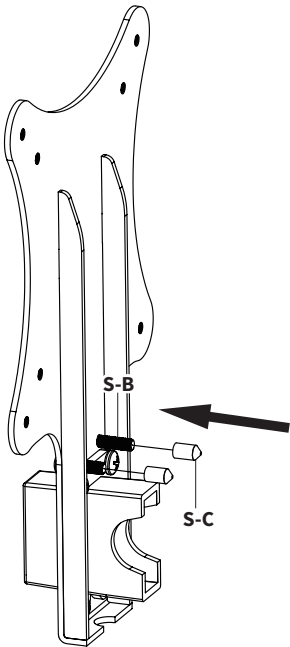
STEP 2

Insert the M4x12mm Screws (**S-B**) half-way into the back of the VESA Adapter (**A**).



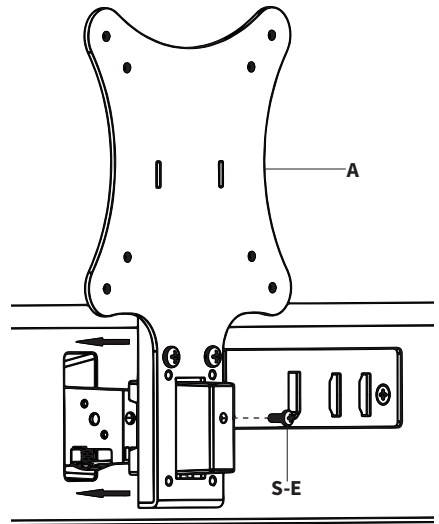
STEP 3

Place M4 Caps (**S-C**) onto the ends of the M4x12mm Screws (**S-B**).



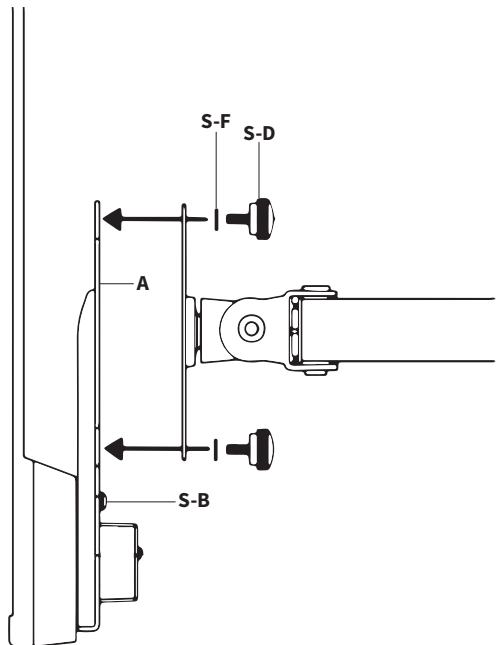
STEP 4

Remove the small Phillips screw from the back of the monitor's attachment post. Press assembled VESA Adapter (**A**) onto the back of the monitor until the latch is engaged, then secure using M3x8mm screw (**S-E**).



STEP 5

Install VESA Adapter (**A**) with monitor to the VESA monitor mount using M4x12mm Thumbscrews (**S-D**) with M4 Washers (**S-F**) (**NOTE:** For some larger monitors, use x2 washers with each of the lower Thumbscrews and no washers with the upper Thumbscrews). Tighten M4x12mm Screws (**S-B**) to reduce potential monitor wobble.





Open **Monday - Friday 7:00am - 7:00pm** CST,
our dedicated support team can offer immediate assistance with rapid response times. If any parts are received damaged or defective, please contact us. We are happy to replace parts to ensure you have a fully functioning product.



309-278-5303

AVG. RESOLUTION TIME (*within office hrs*): **5M 4S**



www.vivo-us.com
Chat live with an agent!

AVG. RESOLUTION TIME (*within office hrs*): **< 15 M**



help@vivo-us.com

AVG. RESPONSE TIME (*within office hrs*): **1HR 8M**

- 23% within < 15m
- 38% within < 30m
- 61% within < 1hr
- 83% within < 2hr
- 92% within < 3hr