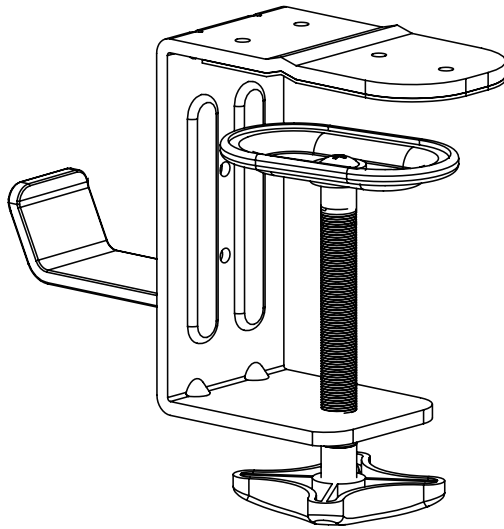




Black Under Desk Leg Clamp Hook

Instruction Manual



SKU: MOUNT-HLC1



Scan the QR code with your mobile device or follow the link for helpful videos and specifications related to this product.

<https://vivo-us.com/products/mount-hlc1>

GET IN TOUCH | Monday-Friday from 7:00am-7:00pm CST



help@vivo-us.com



www.vivo-us.com
Chat live with an agent!



309-278-5303

WARNING!

If you do not understand these directions, or if you have any doubts about the safety of the installation, please contact our product support team at 309-278-5303 or help@vivo-us.com for further assistance. Check carefully to make sure there are no missing or defective parts. Improper installation may cause damage or serious injury. Do not use this product for any purpose that is not explicitly specified in this manual. Do not exceed weight capacity. We cannot be liable for damage or injury caused by improper mounting, incorrect assembly or inappropriate use.

WARNING: CHOKING HAZARD

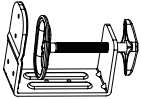
SMALL PARTS - NOT FOR CHILDREN UNDER 3 YEARS. ADULT SUPERVISION IS REQUIRED.

DO NOT EXCEED WEIGHT CAPACITY.

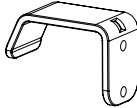
Failure to do so may result in serious injury.



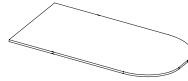
PACKAGE CONTENTS



A (x1)
Clamp



B (x1)
Hook



C (x1)
Pad



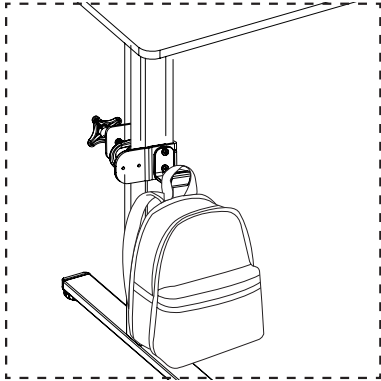
S-A (x2)
M5x8mm Screw

TOOLS NEEDED

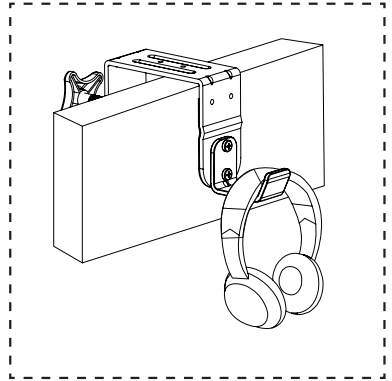


**Phillips
Screwdriver**

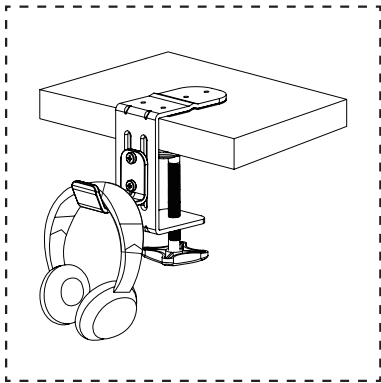
ASSEMBLY OPTIONS



Desk Leg
pg 4



Bed Rail
pg 5

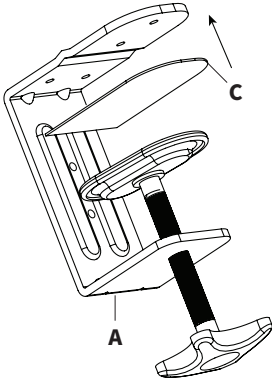


Desktop Edge
pg 6

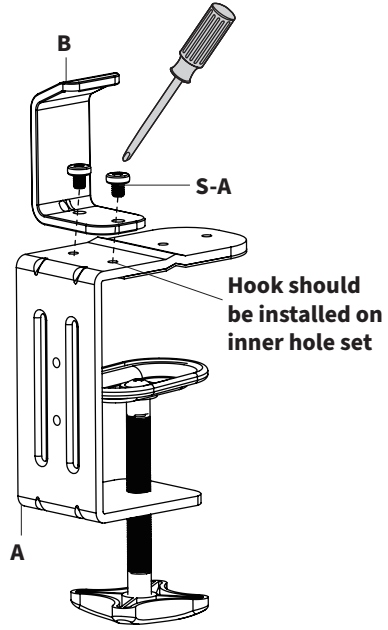
Desk Leg

Assembly

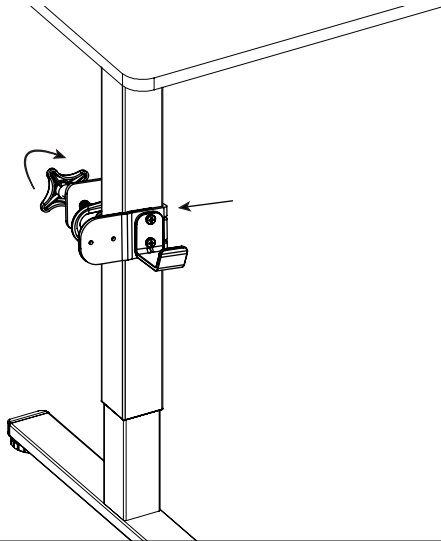
Remove protective film and apply Pad (C) to Clamp (A).



Attach Hook (B) to the top of the Clamp (A), as shown, using M5x8mm Screws (S-A) and a Phillips screwdriver.



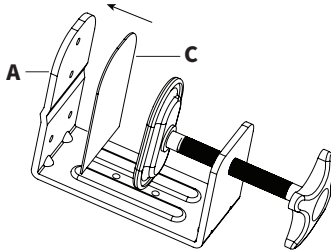
Install assembled hook to desk leg and tighten the clamp screw to secure.



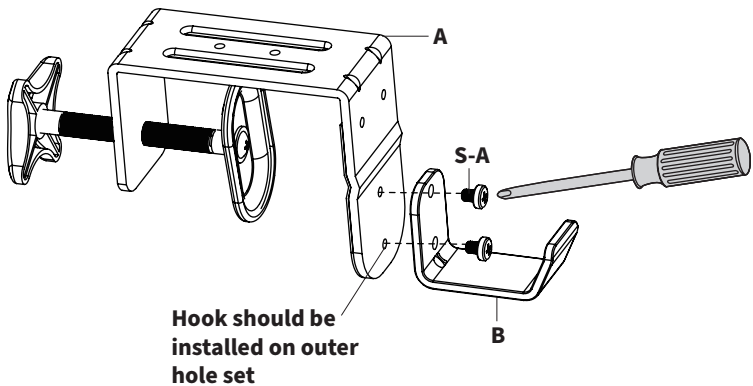
Bed Rail

Assembly

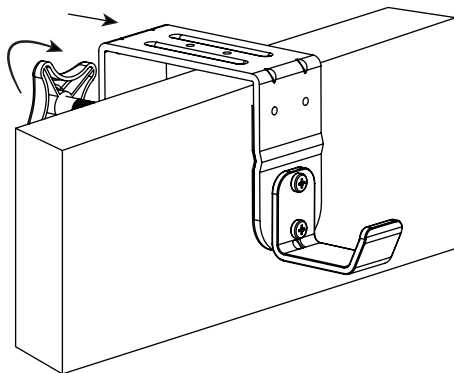
Remove protective film and apply Pad (C) to Clamp (A).



Attach Hook (B) to the top of the Clamp (A), as shown, using M5x8mm Screws (S-A) and a Phillips screwdriver.



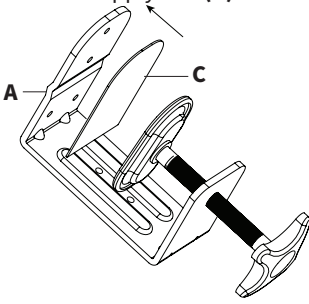
Install assembled hook to your desired surface and tighten the clamp screw to secure.



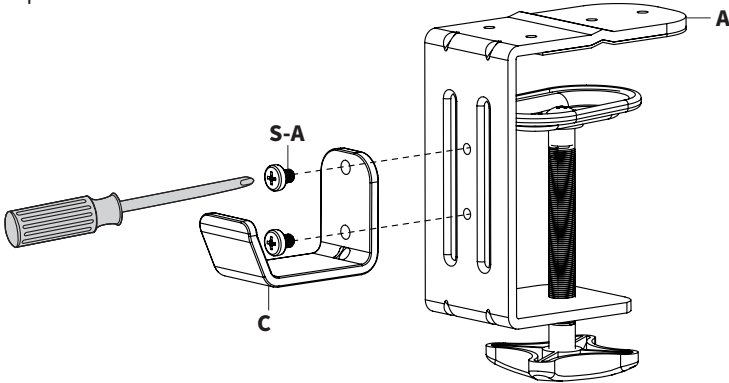
Desktop Edge

Assembly

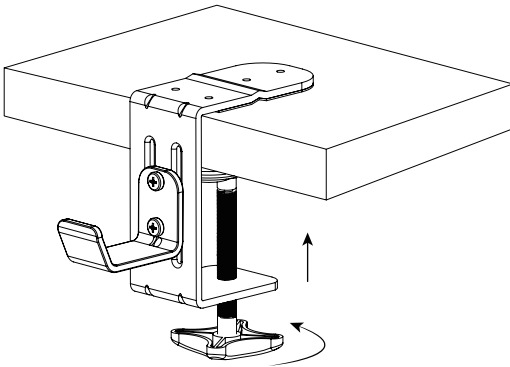
Remove protective film and apply Pad (C) to Clamp (A).



Attach Hook (B) to the side of the Clamp (A), as shown, using M5x8mm Screws (S-A) and a Phillips screwdriver.



Install assembled hook to your desired surface and tighten the clamp screw to secure.



[THIS PAGE INTENTIONALLY LEFT BLANK]



Open **Monday - Friday 7:00am - 7:00pm** CST,
our dedicated support team can offer immediate assistance with rapid response times. If any parts are received damaged or defective, please contact us. We are happy to replace parts to ensure you have a fully functioning product.



309-278-5303

AVG. RESOLUTION TIME (*within office hrs*): **5M 4S**



www.vivo-us.com
Chat live with an agent!

AVG. RESOLUTION TIME (*within office hrs*): **< 15 M**



help@vivo-us.com

AVG. RESPONSE TIME (*within office hrs*): **1HR 8M**

- 23% within < 15m
- 38% within < 30m
- 61% within < 1hr
- 83% within < 2hr
- 92% within < 3hr