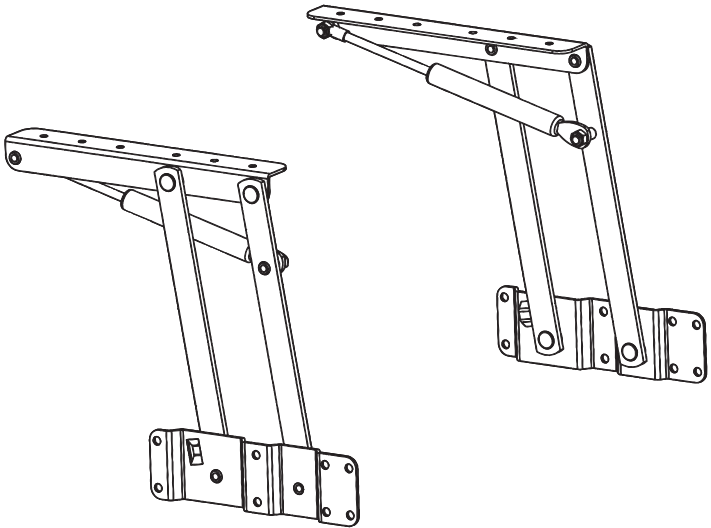




## Hydraulic Hinges for Coffee Table (x2)

Instruction Manual



**SKU: MOUNT-HHCT1**



Scan the QR code with your mobile device or follow the link for helpful videos and specifications related to this product.

<https://vivo-us.com/products/mount-hhct1>

**GET IN TOUCH** | Monday-Friday from 7:00am-7:00pm CST



help@vivo-us.com



www.vivo-us.com  
*Chat live with an agent!*



309-278-5303

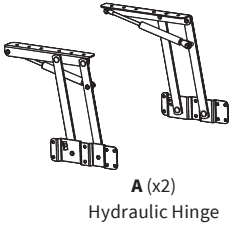
# **WARNING!**

If you do not understand these directions, or if you have any doubts about the safety of the installation, please call a qualified technician. Check carefully to make sure there are no missing or defective parts. Improper installation may cause damage or serious injury. Do not use this product for any purpose that is not explicitly specified in this manual. Do not exceed weight capacity. We cannot be liable for damage or injury caused by improper mounting, incorrect assembly or inappropriate use.

## **WARNING: CHOKING HAZARD**

SMALL PARTS - NOT FOR CHILDREN UNDER 3 YEARS. ADULT SUPERVISION IS REQUIRED.

### PACKAGE CONTENTS

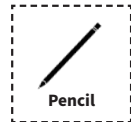


DO NOT EXCEED WEIGHT CAPACITY.  
Failure to do so may result in serious injury.



100 lbs  
(50kg)

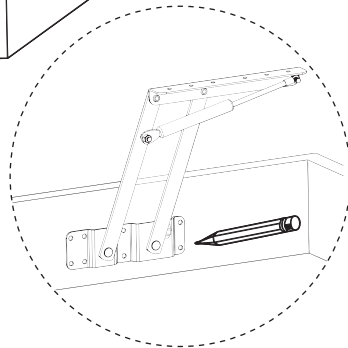
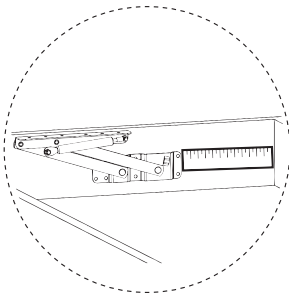
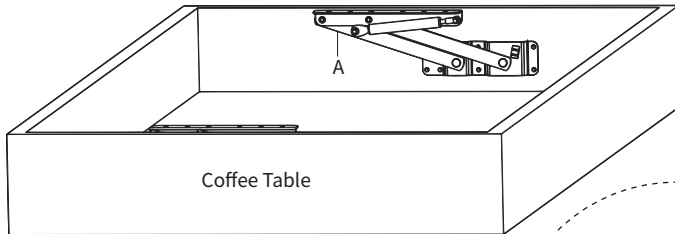
### TOOLS NEEDED



## ASSEMBLY STEPS

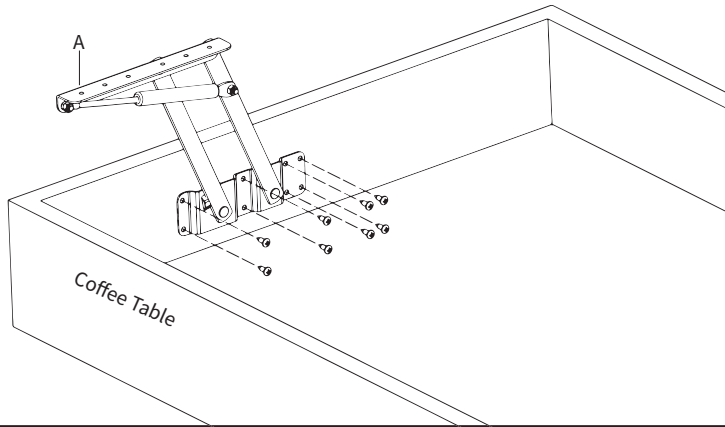
### STEP 1

Place Hydraulic Hinges (A) inside of the coffee table so that the top mounting bracket is flush with the top of the table. Measure the distance from the front of the hinges to the inside edge to make sure both hinges are even. Open both hinges and mark mounting holes using a pencil.



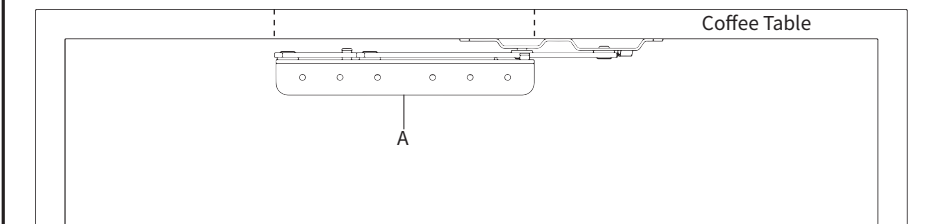
## STEP 2

Predrill marked mounting holes using a drillbit based on the appropriate mounting hardware for your coffee table. Secure Hydraulic Hinges (A) to the coffee table using the appropriate mounting hardware and a Phillips screwdriver.



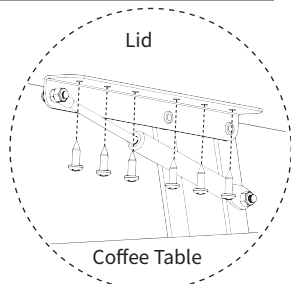
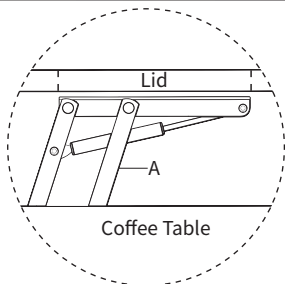
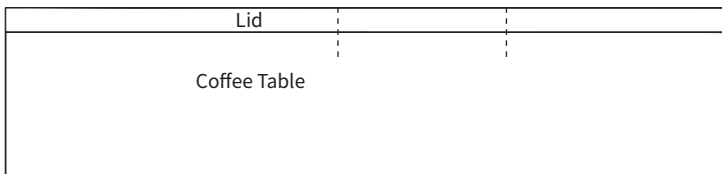
## STEP 3

Close Hydraulic Hinges (A) and mark the coffee table on either side of the top bracket using a pencil.



## STEP 4

Place the coffee table lid on the coffee table and mark the lines from the coffee table onto the lid. Extend Hydraulic Hinges (A) and place the coffee table lid on top so that the marked lines line up with the top brackets. Mark mounting holes using a pencil. Remove the lid and predrill marked mounting holes using a drillbit based on the appropriate mounting hardware for your coffee table. Secure the lid to Hydraulic Hinges (A) using the appropriate mounting hardware and a Phillips screwdriver.





Open **Monday - Friday 7:00am - 7:00pm** CST,  
our dedicated support team can offer immediate assistance with rapid response times. If any parts are received damaged or defective, please contact us. We are happy to replace parts to ensure you have a fully functioning product.



309-278-5303

**AVG. RESOLUTION TIME** (*within office hrs*): **5M 4S**



[www.vivo-us.com](http://www.vivo-us.com)  
*Chat live with an agent!*

**AVG. RESOLUTION TIME** (*within office hrs*): **< 15 M**



[help@vivo-us.com](mailto:help@vivo-us.com)

**AVG. RESPONSE TIME** (*within office hrs*): **1HR 8M**

- 23% within < 15m
- 38% within < 30m
- 61% within < 1hr
- 83% within < 2hr
- 92% within < 3hr