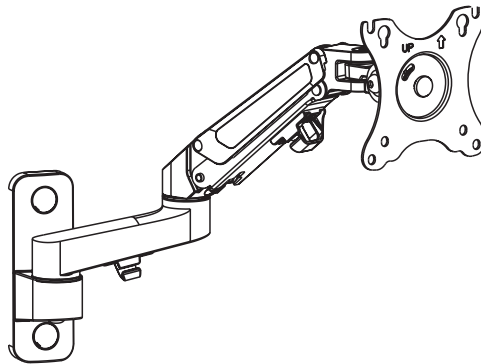


Premium Aluminum Single Monitor Wall Mount Instruction Manual



SKU: MOUNT-G100B



Scan the QR code with your mobile device or follow the link for helpful videos and specifications related to this product.

<https://vivo-us.com/products/mount-g100b>

GET IN TOUCH | Monday-Friday from 7:00am-7:00pm CST



help@vivo-us.com



www.vivo-us.com
Chat live with an agent!



309-278-5303

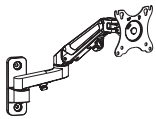
WARNING!

If you do not understand these directions, or if you have any doubts about the safety of the installation, please call a qualified technician. Check carefully to make sure there are no missing or defective parts. Improper installation may cause damage or serious injury. Do not use this product for any purpose that is not explicitly specified in this manual. Do not exceed weight capacity. We cannot be liable for damage or injury caused by improper mounting, incorrect assembly or inappropriate use.

WARNING: CHOKING HAZARD

SMALL PARTS - NOT FOR CHILDREN UNDER 3 YEARS. ADULT SUPERVISION IS REQUIRED.

PACKAGE CONTENTS



A (x1)
Arm



B (x2)
Screw Cover



M-A (x4)
M4x12mm Screw



M-B (x4)
M5x12mm Screw



M-C (x4)
D5 Washer



W-A (x2)
Wall Screw



W-B (x2)
Anchor



W-C (x2)
Washers



T-A (x1)
5mm Allen
Wrench

NOTE: SOME HARDWARE INCLUDED MAY NOT BE USED

CAUTION!

DO NOT INSTALL INTO DRYWALL ALONE. VERIFY YOUR WALL CONSTRUCTION. USE WOOD STUDS TO MOUNT. We include mounting for brick and concrete walls. If unsure, please contact us at vivo-us.com, email at help@vivo-us.com, or call us at 309-278-5303.

TOOLS NEEDED



Drill



**Phillips
Screwdriver**

DO NOT EXCEED WEIGHT CAPACITY.

Failure to do so may result in serious injury.



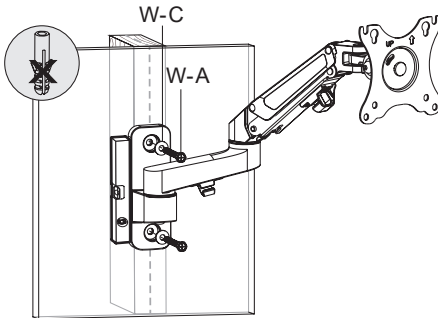
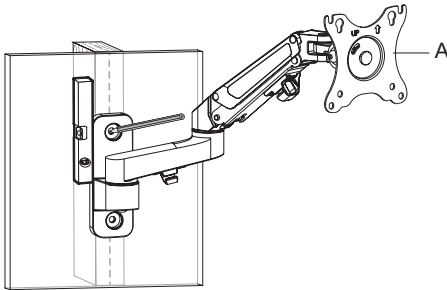
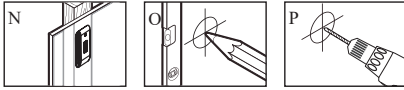
**Flat Blade
Screwdriver**

ASSEMBLY STEPS

STEP 1

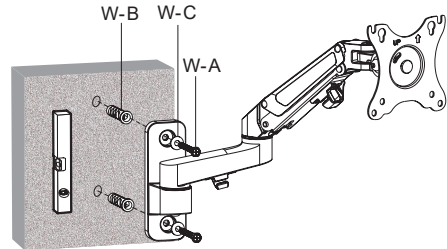
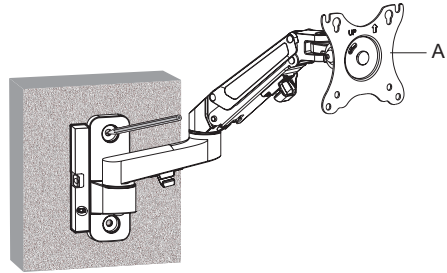
OPTION A: Wood Wall

Using the wall plate on the Zrm (A), mark drilling locations. Use of a stud finder is highly recommended. Drill 2.2" (55mm) deep holes using a 3/16" (4.5mm) drill bit, and mount the arm to the wall using Wall Screws (W-A) and Washers (W-C).



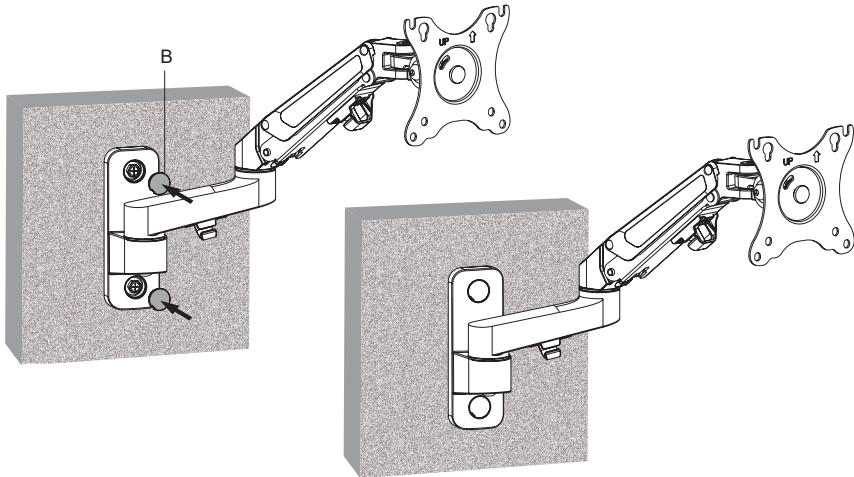
OPTION B: Concrete/Brick Wall

Using the wall plate on the Arm (A), mark drilling locations. Drill 2.4" (60mm) deep holes using a 3/8" (10mm) drill bit, press Anchors (W-B) into holes, and mount the arm to the wall using Wall Screws (W-A) and Washers (W-C). **NOTE:** Anchors are made for use with concrete or brick, and will not work with drywall.



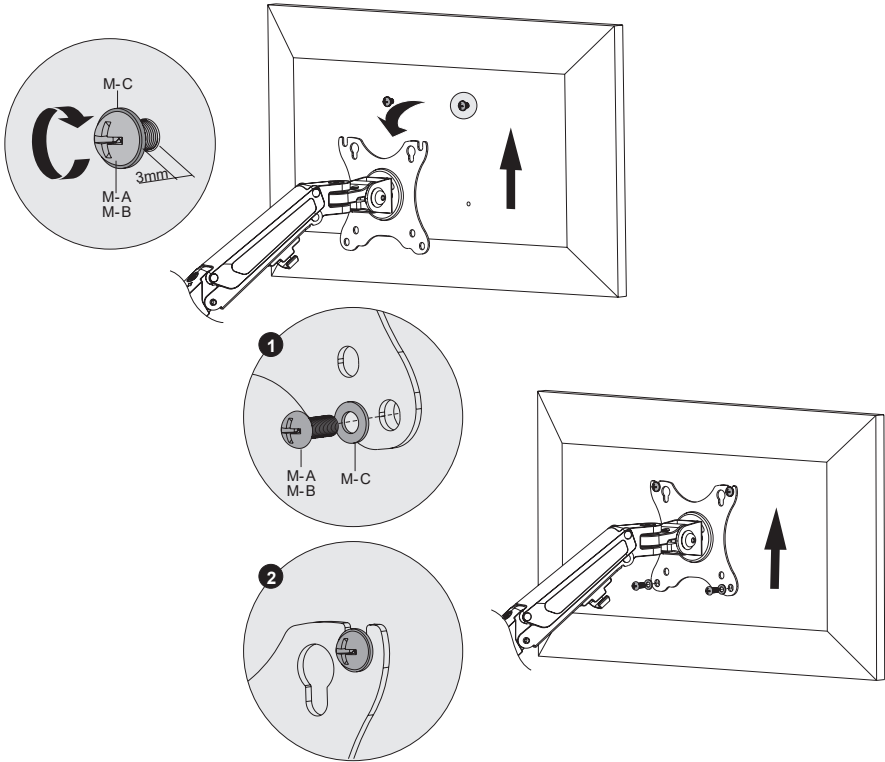
STEP 2

Attach Screw Covers (**B**) to wall plate.



STEP 3

Insert appropriate Screws (**M-A** or **M-B**) with Washers (**M-C**) into top two holes of TV/monitor, leaving 3mm of thread exposed. Hang TV/monitor over slots in VESA mounting plate, insert bolts with washers into lower two holes, and tighten.



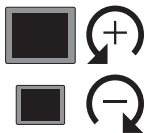
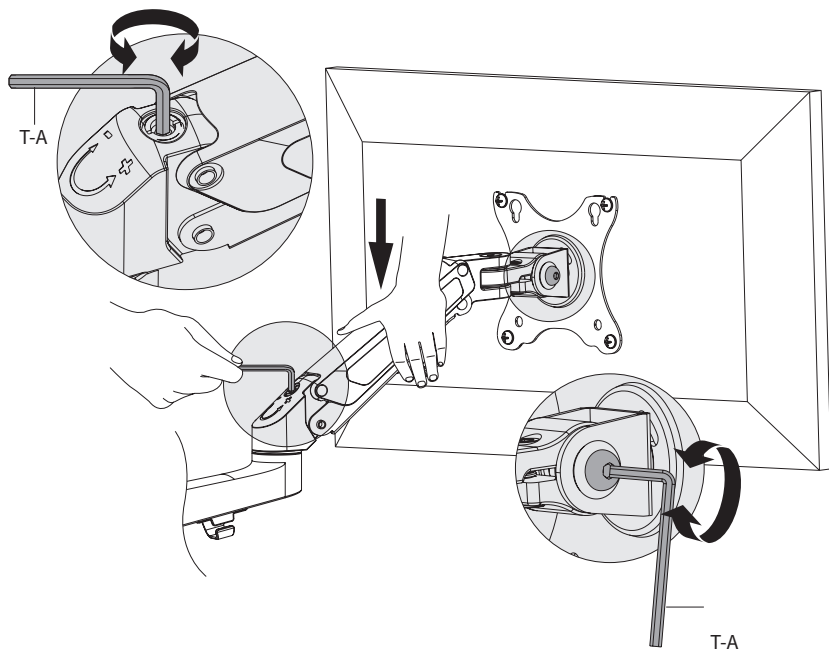
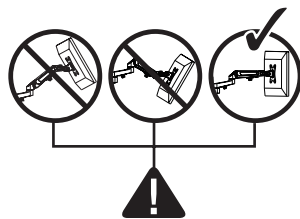
STEP 4

Adjust gas spring tension using 5mm Allen Wrench (**T-A**). Turn counter-clockwise to increase lift, and clockwise to decrease. Adjust the tilt joint support using 5mm Allen Wrench. **NOTE:** use a large flat-blade screwdriver to tighten the socket set screw if the joint makes a popping noise.

WARNING:

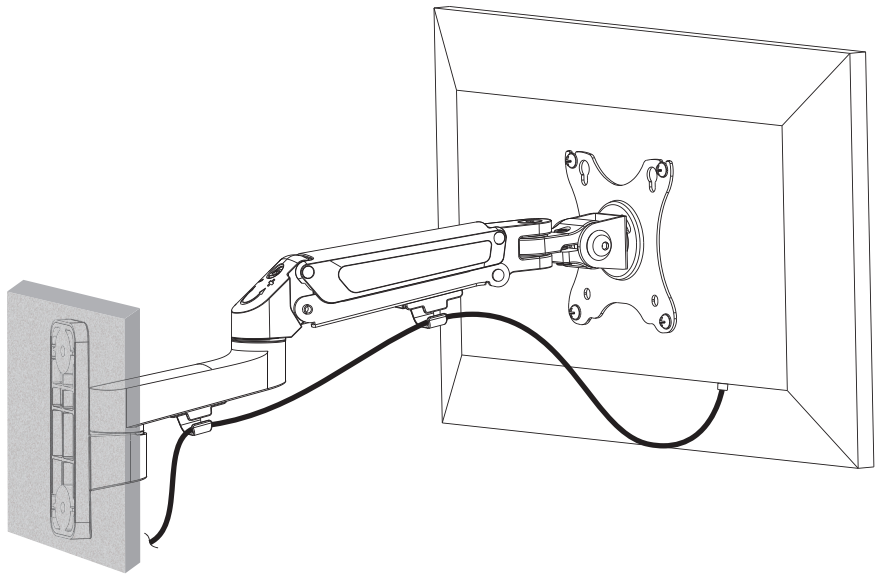
Monitor must be installed on mount before making tension adjustments to the gas spring arm.

Keep monitor in a straight orientation when making adjustments.

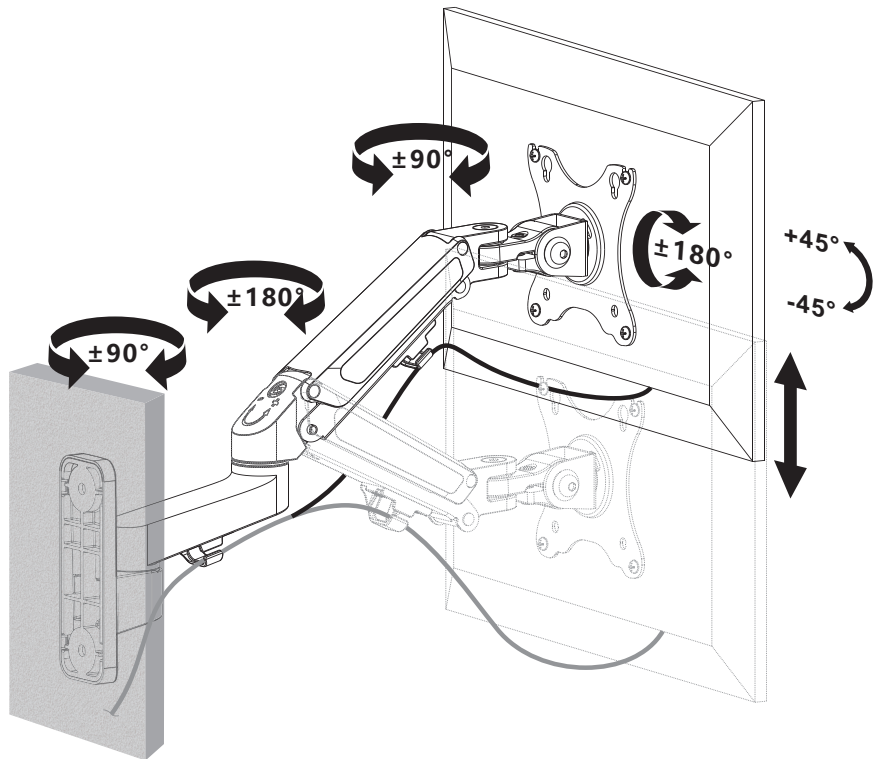


STEP 5

Use built in cable clips to manage cables.



Adjust as Desired





Open **Monday - Friday 7:00am - 7:00pm** CST,
our dedicated support team can offer immediate assistance with rapid response times. If any parts are received damaged or defective, please contact us. We are happy to replace parts to ensure you have a fully functioning product.



309-278-5303

AVG. RESOLUTION TIME (*within office hrs*): **5M 4S**



www.vivo-us.com
Chat live with an agent!

AVG. RESOLUTION TIME (*within office hrs*): **< 15 M**



help@vivo-us.com

AVG. RESPONSE TIME (*within office hrs*): **1HR 8M**

- 23% within < 15m
- 38% within < 30m
- 61% within < 1hr
- 83% within < 2hr
- 92% within < 3hr