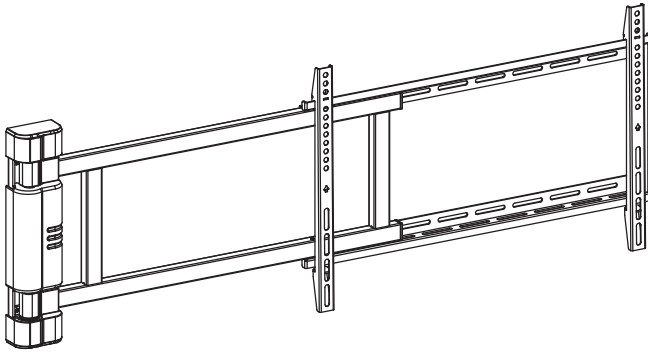




Electric Swing TV Wall Mount

Instruction Manual



SKU: MOUNT-E-WM075



Scan the QR code with your mobile device or follow the link for helpful videos and specifications related to this product.

<https://vivo-us.com/products/mount-e-wm075>

GET IN TOUCH | Monday-Friday from 7:00am-7:00pm CST



help@vivo-us.com



www.vivo-us.com
Chat live with an agent!

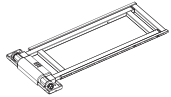


309-278-5303

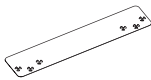
WARNING!

If you do not understand these directions, or if you have any doubts about the safety of the installation, please call a qualified technician. Check carefully to make sure there are no missing or defective parts. Improper installation may cause damage or serious injury. Do not use this product for any purpose that is not explicitly specified in this manual. Do not exceed weight capacity. We cannot be liable for damage or injury caused by improper mounting, incorrect assembly or inappropriate use.

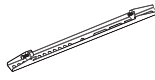
PACKAGE CONTENTS



A (x1)
Mount



B (x1)
Template



C (x2)
VESA Bracket



D (x1)
Top Cover



E (x1)
Bottom Cover



G (x1)
Power Cord



H (x1)
Remote



I (x5)
Strap



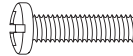
M-A (x4)
M6x14 Screw



M-B (x4)
M8x16 Screw



M-C (x4)
M6x30 Screw



M-D (x4)
M8x35 Screw



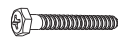
M-E (x4)
M8 Washer



M-F (x4)
Small Spacer



M-G (x8)
Large Spacer



W-A (x6)
ST6.3x55 Screw



W-B (x6)
Concrete Anchor



W-C (x4)
M6 Washer



T-A (x1)
4mm Allen
Wrench



T-B (x1)
Level

NOTE: NOT ALL HARDWARE INCLUDED WILL BE USED

DO NOT EXCEED WEIGHT CAPACITY.

Failure to do so may result in serious injury.



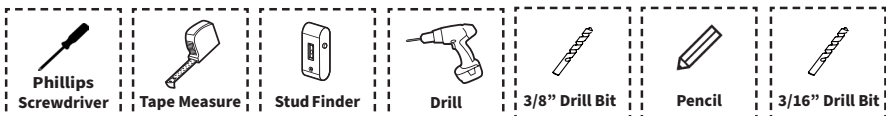
 WARNING: CHOKING HAZARD

SMALL PARTS - NOT FOR CHILDREN UNDER 3 YEARS. ADULT SUPERVISION IS REQUIRED.

 CAUTION!

DO NOT INSTALL INTO DRYWALL ALONE. VERIFY YOUR WALL CONSTRUCTION. USE WOOD STUDS TO MOUNT. We include mounting for brick and concrete walls. If unsure, please contact us at vivo-us.com, email at help@vivo-us.com, or call us at 309-278-5303.

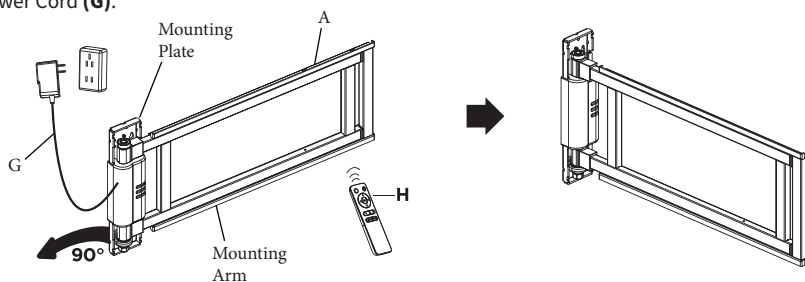
TOOLS NEEDED



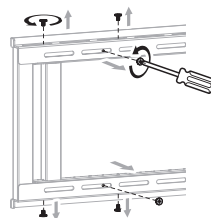
ASSEMBLY STEPS

STEP 1

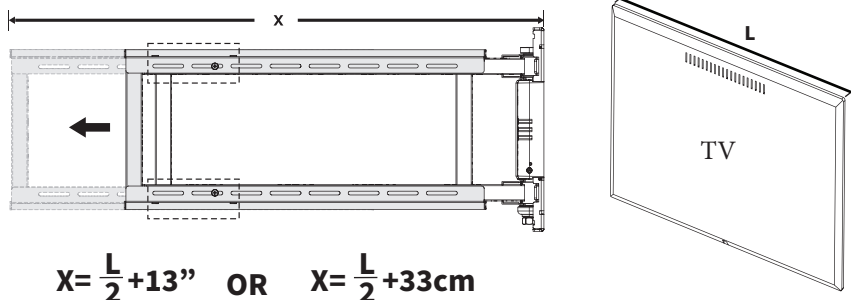
Temporarily plug Power Cord (G) into Mount (A) and then into an AC outlet. While holding mounting arm, use Remote (H) to unfold the mounting plate until it is 90 degrees to the arm. Then remove the Power Cord (G).



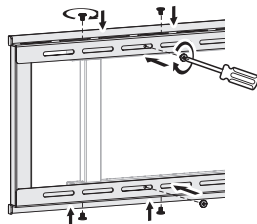
Using a Phillips screwdriver, remove the mounting arm screws.



Adjust length of mounting arm based on the size of your TV.



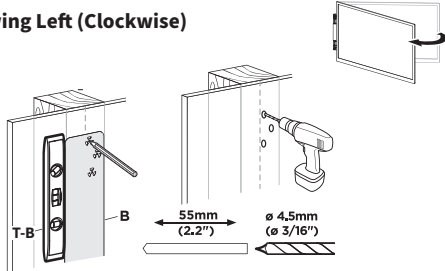
Reinstall the mounting arm screws.



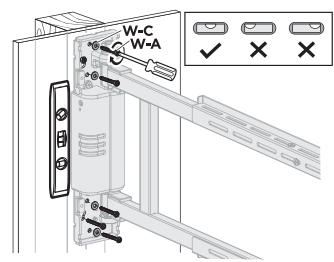
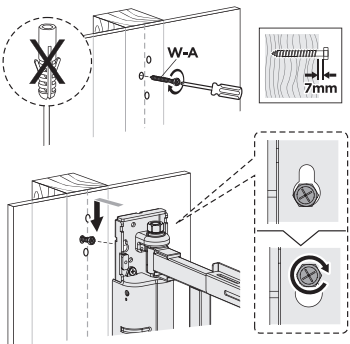
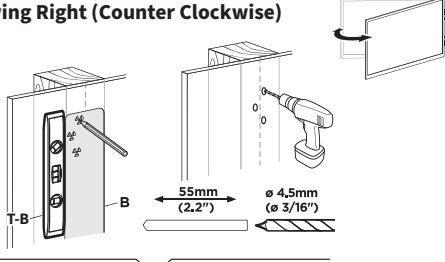
OPTION A: Wood Stud Installation

Locate the stud in the wall where you will mount the assembly. Use of a studfinder is recommended. Place Template (B) over the stud and use Level (T-B) to align, and mark drilling locations. Remove Template (B), drill 2.2" (55mm) deep holes using a 3/16" (4.5mm) drill bit. Insert one ST6.3x55 Screws (W-A) into the top-middle hole, leaving 7mm of threads exposed. Slide Mount (A) onto the screw and secure to the wall using ST6.3x55 Screws (W-A) and M6 Washers (W-C).

Swing Left (Clockwise)



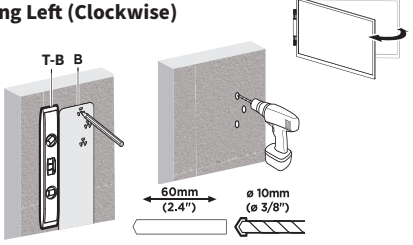
Swing Right (Counter Clockwise)



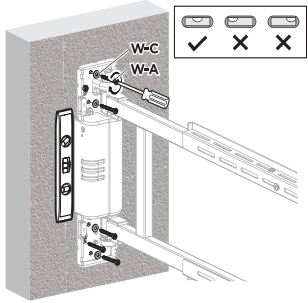
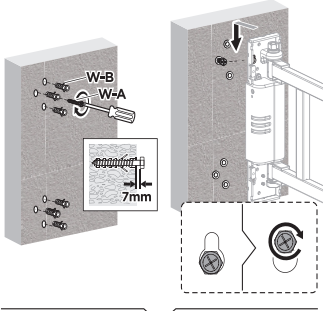
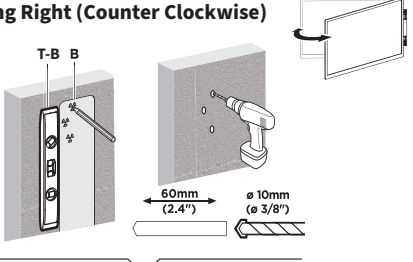
OPTION B: Concrete/Brick Installation

Place Template (B) on the wall in the desired location and use Level (T-B) to align, and mark drilling locations. Remove Template (B), drill 2.4" (60mm) deep holes using a 3/8" (10mm) drill bit. Insert concrete Anchors (W-B) into predrilled holes. Insert one ST6.3x55 Screws (W-A) into the top middle anchor, leaving 7mm of threads exposed. Slide Mount (A) onto the screw and secure to the wall using ST6.3x55 Screws (W-A) and M6 Washers (W-C).

Swing Left (Clockwise)

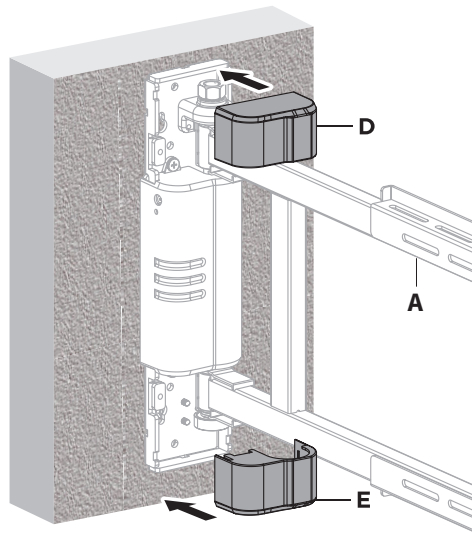


Swing Right (Counter Clockwise)



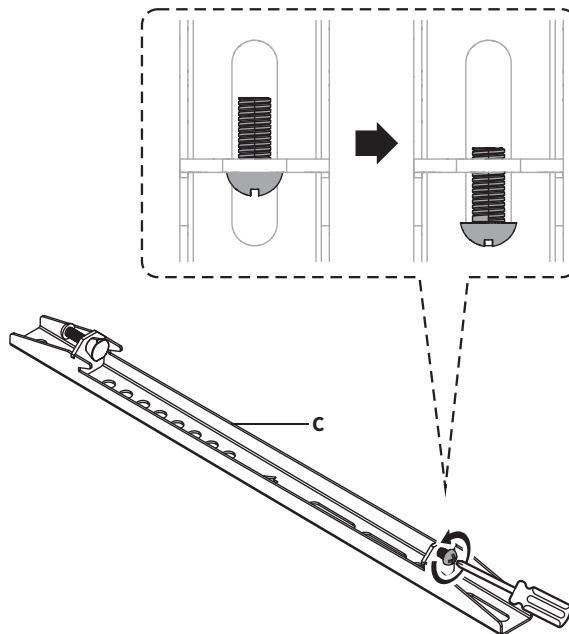
STEP 3

Assemble Top Cover **(D)** and Bottom Cover **(E)** to Mount **(A)**.



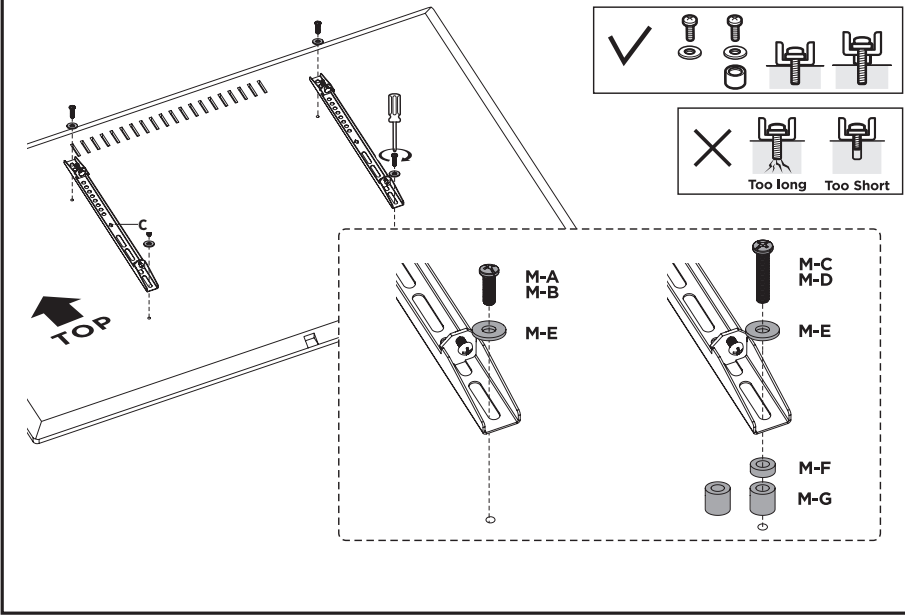
STEP 4

Using a Phillips screwdriver, loosen the safety screws on the back of VESA Brackets **(C)**.



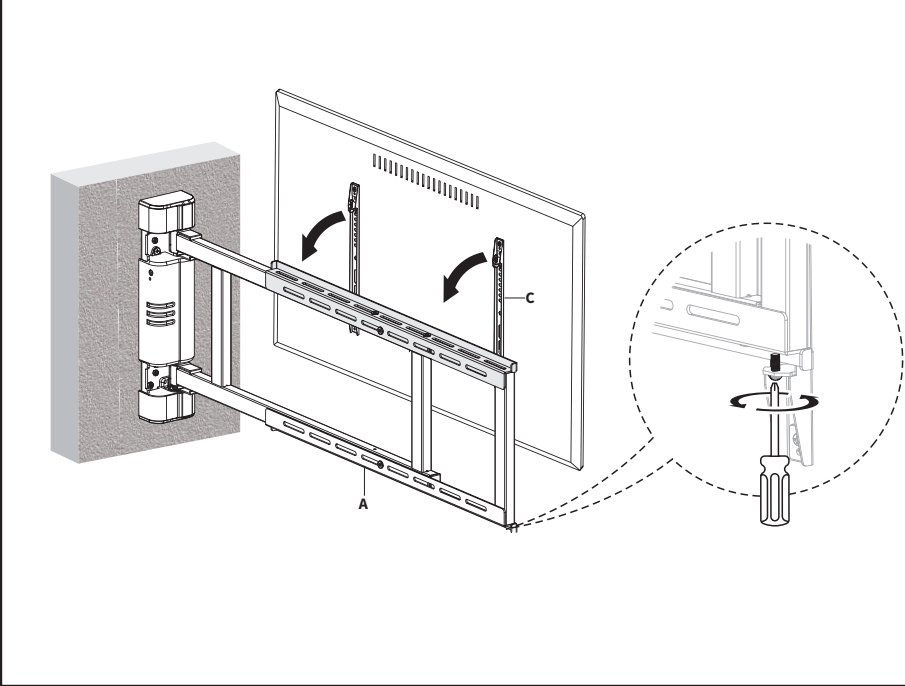
STEP 5

Attach the VESA Brackets (C) to the back of the TV using Screws (M-A through M-E), M5-M8 Washers (M-F) and Spacers (M-G, M-H).



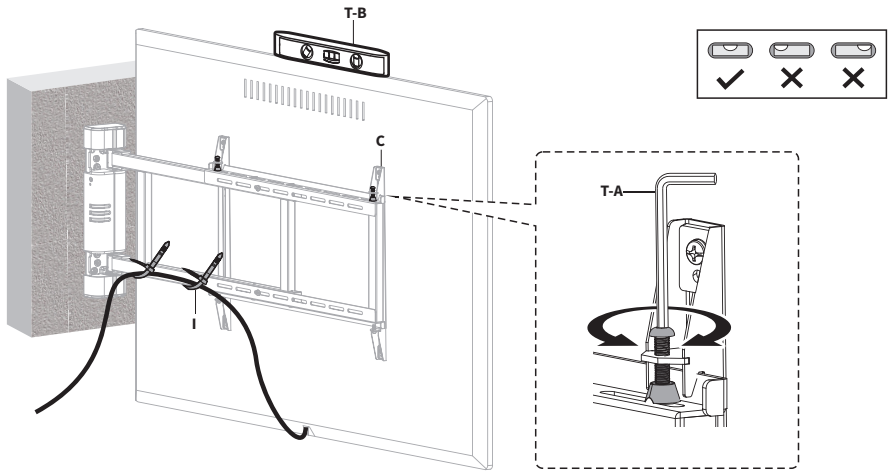
STEP 6

Hang VESA Brackets (C) over Mount (A). Tighten safety screws on VESA Brackets (C) to secure in place.



STEP 7

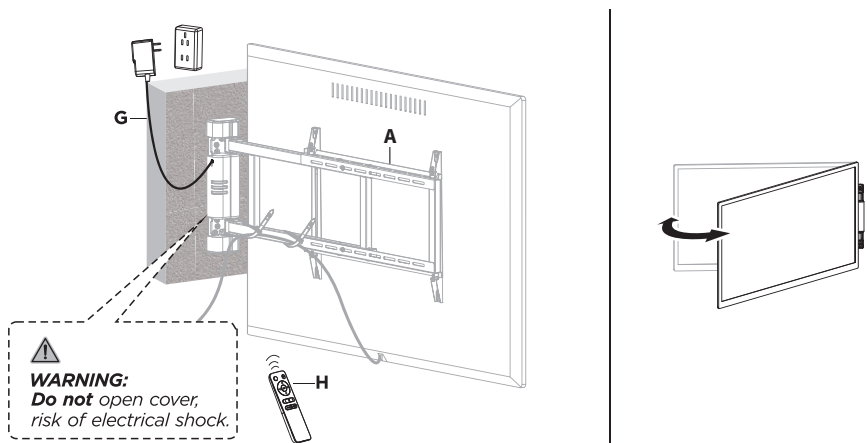
Level the TV by adjusting the leveling screws on top of VESA Brackets (C) using 4mm Allen Wrench (T-A) and Level (T-B). Use Straps (I) to organize cables.



STEP 8

Plug Power Cord (G) into Mount (A) and then into an AC outlet. Use Remote (H) to operate.

CAUTION: To avoid injury, do not place hand in the arm while operating.





Open **Monday - Friday 7:00am - 7:00pm** CST,
our dedicated support team can offer immediate assistance with rapid response times. If any parts are received damaged or defective, please contact us. We are happy to replace parts to ensure you have a fully functioning product.



309-278-5303

AVG. RESOLUTION TIME (*within office hrs*): **5M 4S**



www.vivo-us.com
Chat live with an agent!

AVG. RESOLUTION TIME (*within office hrs*): **< 15 M**



help@vivo-us.com

AVG. RESPONSE TIME (*within office hrs*): **1HR 8M**

- 23% within < 15m
- 38% within < 30m
- 61% within < 1hr
- 83% within < 2hr
- 92% within < 3hr