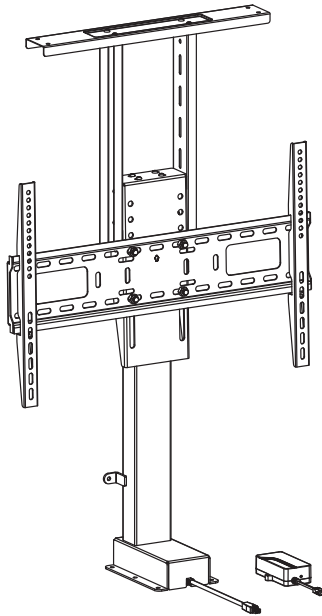




Motorized TV Stand with Remote Control

Instruction Manual



SKU: MOUNT-E-UP80D



Scan the QR code with your mobile device or follow the link for helpful videos and specifications related to this product.

<https://vivo-us.com/products/mount-e-up80d>

GET IN TOUCH | Monday-Friday from 7:00am-7:00pm CST



help@vivo-us.com



www.vivo-us.com

Chat live with an agent!



309-278-5303

⚠️ WARNING!

If you do not understand these directions, or if you have any doubts about the safety of the installation, please call a qualified technician. Check carefully to make sure there are no missing or defective parts. Improper installation may cause damage or serious injury. Do not use this product for any purpose that is not explicitly specified in this manual. Do not exceed weight capacity. We cannot be liable for damage or injury caused by improper mounting, incorrect assembly or inappropriate use.

⚠️ TIPOVER WARNING

SERIOUS OR FATAL CRUSHING INJURIES CAN OCCUR FROM TIPOVER. TO HELP PREVENT TIPOVER:

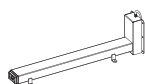
- NEVER ALLOW CHILDREN TO CLIMB, STAND, HANG, OR PLAY ON ANY PART OF MONITOR OR STAND.
- USE TIPOVER RESTRAINT OR ANCHOR STAND TO WALL

USE OF TIPOVER RESTRAINTS MAY ONLY REDUCE, BUT NOT ELIMINATE RISK OF TIPOVER.

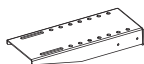
⚠️ WARNING: CHOKING HAZARD

SMALL PARTS - NOT FOR CHILDREN UNDER 3 YEARS. ADULT SUPERVISION IS REQUIRED.

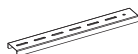
PACKAGE CONTENTS



A (x1)
Motorized Lift



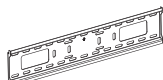
B (x1)
Mounting Plate



C (x2)
Shelf Support



D (x1)
Shelf



E (x1)
TV Bracket



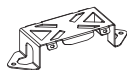
F (x2)
VESA Bracket



G (x1)
Control Unit



H (x1)
AC Adapter



I (x1)
Adapter Cover



J (x1)
Power Cable



K (x1)
Remote



S-A (x16)
ST5.5x16mm
Screw



S-B (x2)
ST4.2x20mm
Screw



S-C (x12)
M6x12mm
Screw



S-D (x4)
M10x20mm
Screw



S-E (x4)
M10 Nut



M-A (x4)
M6x14mm
Screw



M-B (x4)
M8x16mm
Screw



M-C (x4)
M6x30mm
Screw



M-D (x4)
M8x35mm
Screw



M-E (x4)
M8 Washer



M-F (x4)
Small Spacer



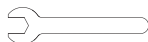
M-G (x4)
Large Spacer



T-A (x1)
4mm Allen
Wrench



T-B (x1)
6mm Allen
Wrench



T-C (x1)
17mm Wrench

TOOLS NEEDED



DO NOT EXCEED WEIGHT CAPACITY.
Failure to do so may result in serious injury.

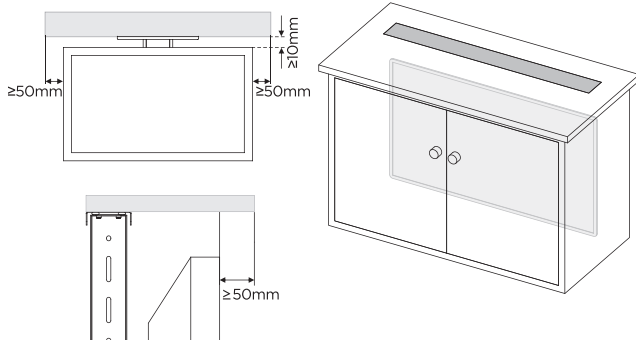


NOTE: SOME HARDWARE INCLUDED MAY NOT BE USED

PRE-ASSEMBLY

When fabricating custom cabinetry for your motorized TV mount, ensure there will be at least 50mm (2") of clearance on the sides and front of the TV along with at least 10mm (3/8") of clearance on the top.

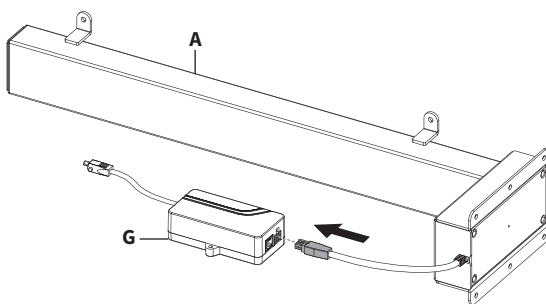
PLEASE NOTE:
This product is designed for **CUSTOM CABINETS ONLY** and can **NOT** be installed as a ceiling mount. Doing so will damage the motor and void the warranty.



ASSEMBLY STEPS

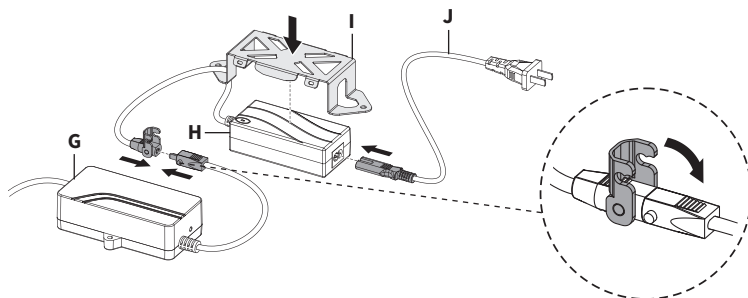
STEP 1

Connect cable from Motorized Lift (A) to Control Unit (G).



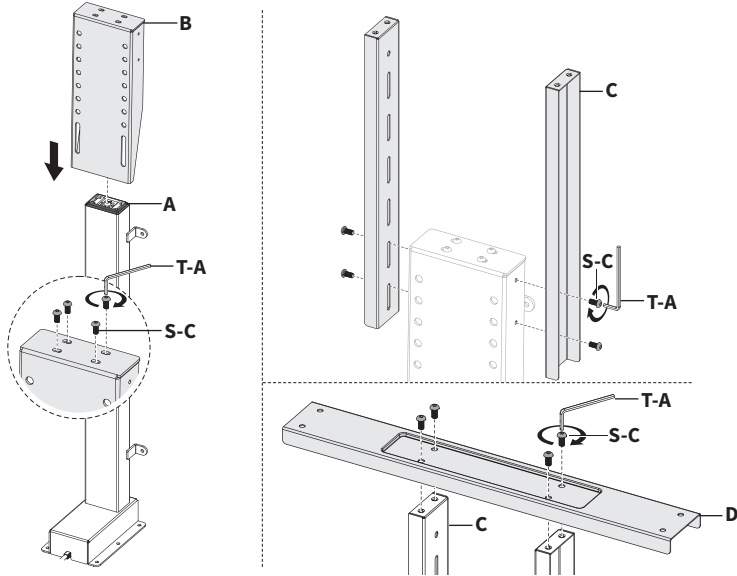
STEP 2

Place AC Adapter Cover (I) over AC Adapter (H). Connect Control Unit (G) cable and Power Cable (J) to AC Adapter (H).



STEP 3

Slide Mounting Plate **(B)** onto Motorized Lift **(A)** and secure using M6x12mm Screws **(S-C)** and 4mm Allen Wrench **(T-A)**. Connect Shelf Supports **(C)** to the sides of Motorized Lift **(A)** using M6x12mm Screws **(S-C)** and 4mm Allen Wrench **(T-A)**. Attach Shelf **(D)** to top of Shelf Supports **(C)** using M6x12mm Screws **(S-C)** and 4mm Allen Wrench **(T-A)**.

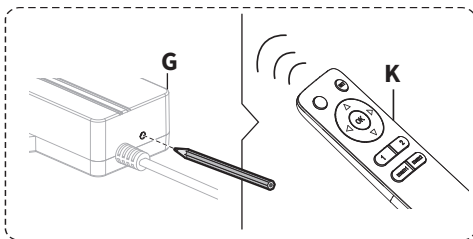
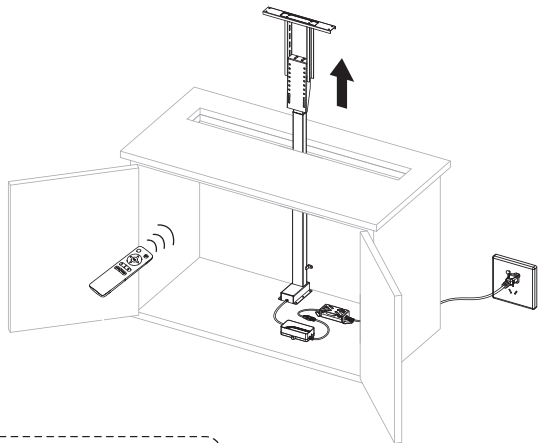


STEP 4

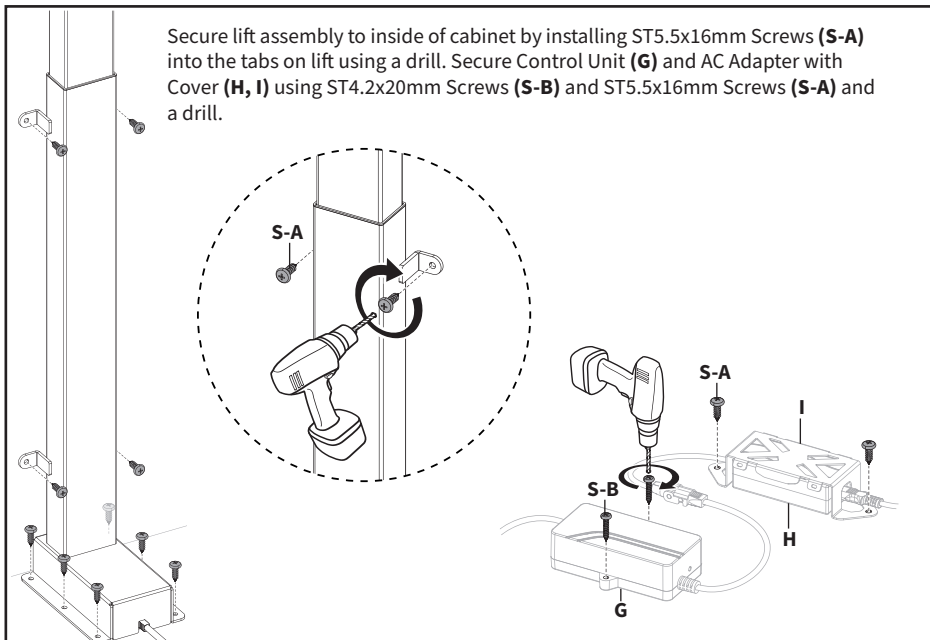
Place the lift assembly inside of your custom cabinetry and plug into nearby outlet.

Press the side button on Control Unit **(G)** using a pencil or small tool. The lift will beep once, indicating the lift is ready to be paired with the Remote **(K)**.

Press the **(SET)** button on the remote. Remote will beep for 10 seconds, and then emit one final beep to indicate successful pairing. Press the **(▲)** arrow to raise the lift.

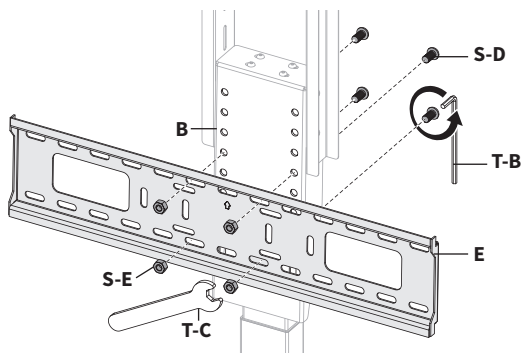


STEP 5

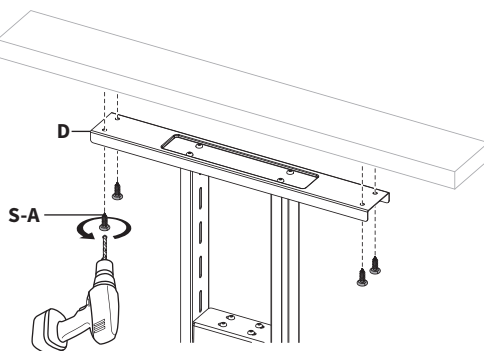


STEP 6

Attach TV Bracket (**E**) to Mounting Plate (**B**) using M10x20mm Screws (**S-D**), M10 Nuts (**S-E**), 6mm Allen Wrench (**T-B**), and 17mm Wrench (**T-C**).

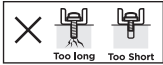
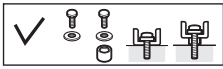
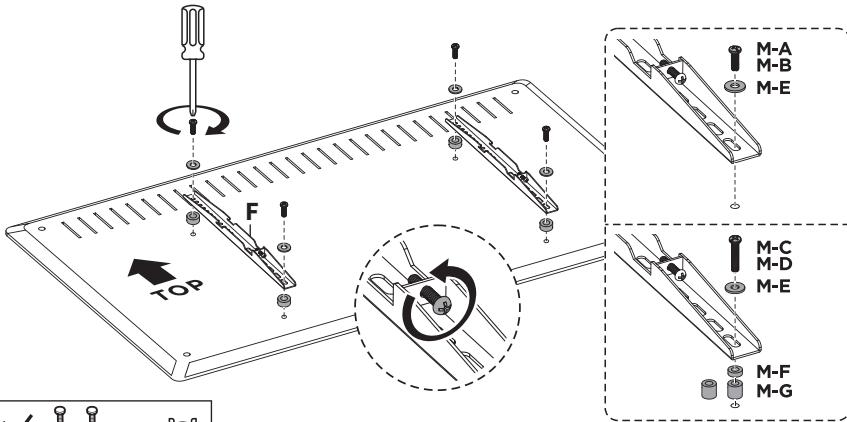


Secure custom cabinet cutout to Shelf (**D**) using ST5.5x16mm Screws (**S-A**) and a drill.



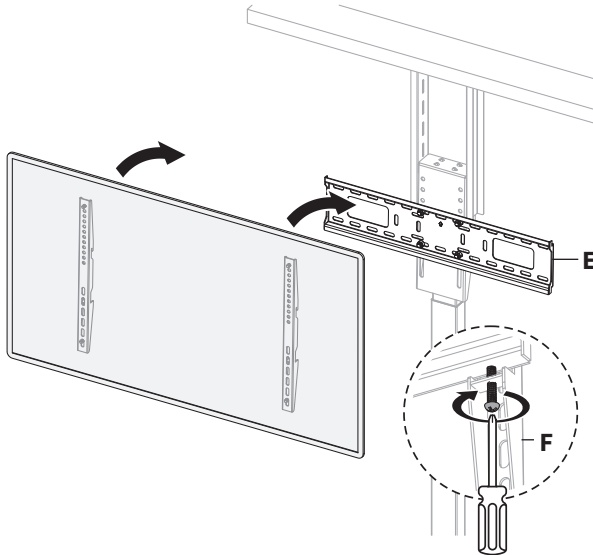
STEP 7

Install VESA Brackets (**F**) to TV using appropriate Screws (**M-A, M-B, M-C, M-D**), M8 Washers (**M-E**), Spacers (**M-F, M-G**) and a Phillips screwdriver.



STEP 8

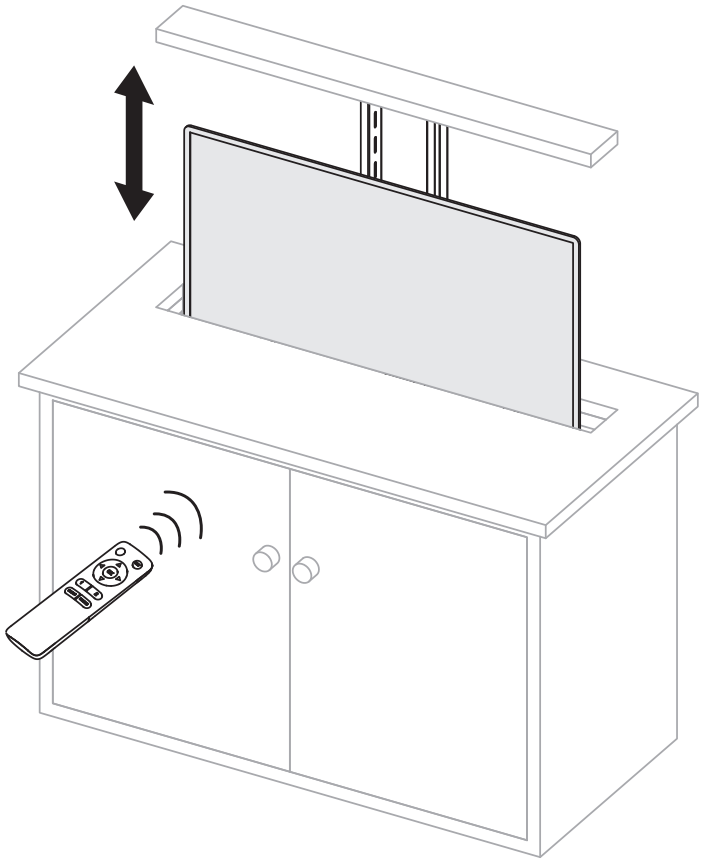
Place TV with VESA Brackets (**F**) onto TV Bracket (**E**). Tighten set screw on VESA Brackets (**F**) with Phillips screwdriver to secure.



NOTE:
For heavier TV's, it is recommended to have a second person assist with placing the TV.

STEP 9

Motorized lift is now ready for use.





Love your new VIVO setup and want to share?
Tag us in your photo! **@vivo_us**

LAST UPDATED: 10/17/2023
REV1
v1.0



Open **Monday - Friday 7:00am - 7:00pm** CST,
our dedicated support team can offer immediate assistance with rapid response times. If any parts are received damaged or defective, please contact us. We are happy to replace parts to ensure you have a fully functioning product.



www.vivo-us.com
Chat live with an agent!

AVG. RESOLUTION TIME (*within office hrs*): **< 15 M**



309-278-5303

AVG. RESOLUTION TIME (*within office hrs*): **5M 4S**



help@vivo-us.com

AVG. RESPONSE TIME (*within office hrs*): **1HR 8M**

- 23% within < 15m
- 38% within < 30m
- 61% within < 1hr
- 83% within < 2hr
- 92% within < 3hr

FOR MORE VIVO PRODUCTS, CHECK OUT OUR WEBSITE AT: www.vivo-us.com