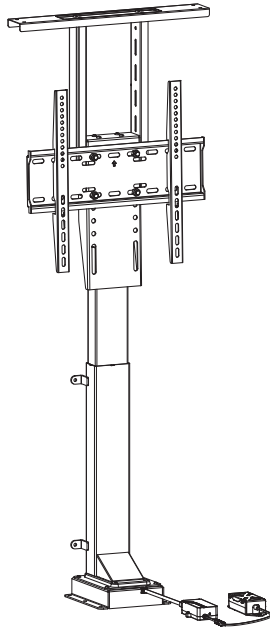




Motorized TV Stand with Remote Control

Instruction Manual



SKU: MOUNT-E-UP44



Scan the QR code with your mobile device or follow the link for helpful videos and specifications related to this product.

<https://vivo-us.com/products/mount-e-up44>

GET IN TOUCH | Monday-Friday from 7:00am-7:00pm CST



help@vivo-us.com



www.vivo-us.com
Chat live with an agent!



309-278-5303



If you do not understand these directions, or if you have any doubts about the safety of the installation, please call a qualified technician. Check carefully to make sure there are no missing or defective parts. Improper installation may cause damage or serious injury. Do not use this product for any purpose that is not explicitly specified in this manual. Do not exceed weight capacity. We cannot be liable for damage or injury caused by improper mounting, incorrect assembly or inappropriate use.

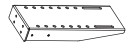
⚠️ WARNING: CHOKING HAZARD

SMALL PARTS - NOT FOR CHILDREN UNDER 3 YEARS. ADULT SUPERVISION IS REQUIRED.

PACKAGE CONTENTS



A (x1)
Motorized Column



B (x1)
Support Bracket



C (x2)
Side Bracket



D (x1)
Lid Support



E (x1)
TV Plate



F (x2)
VESA Bracket



G (x1)
Control Unit



H (x1)
AC Adapter



I (x1)
Adapter Bracket



J (x1)
Power Cable



K (x1)
Remote



S-A (x16)
ST5.5x16 Screw



S-B (x2)
ST4.2x20 Screw



S-C (x12)
M6x12 Screw



S-D (x4)
M10x20 Bolt



S-E (x4)
M10 Nut



M-A (x4)
M5x14 Screw



M-B (x4)
M6x14 Screw



M-C (x4)
M6x30 Screw



M-D (x4)
M8x30 Screw



M-E (x4)
M8x50 Screw



M-F (x4)
Washer



M-G (x8)
Small Spacer



M-H (x8)
Big Spacer



T-A (x1)
4mm Allen Wrench



T-B (x1)
6mm Allen Wrench



T-C (x1)
Wrench

TOOLS NEEDED



Drill



Phillips Screwdriver

NOTE: NOT ALL HARDWARE INCLUDED WILL BE USED

DO NOT EXCEED WEIGHT CAPACITY.

Failure to do so may result in serious injury.



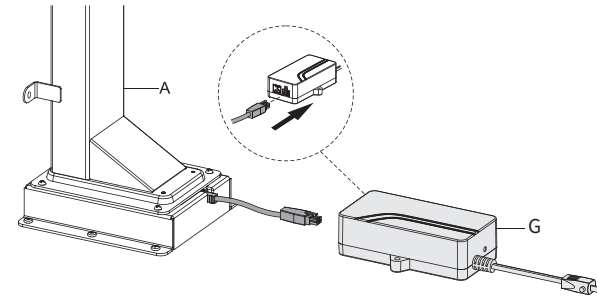
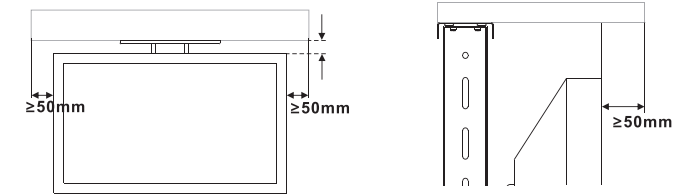
ASSEMBLY STEPS

PLEASE NOTE:

This product is designed for CUSTOM CABINETS ONLY and can NOT be installed as a ceiling mount. Doing so will damage the motor and void the warranty.

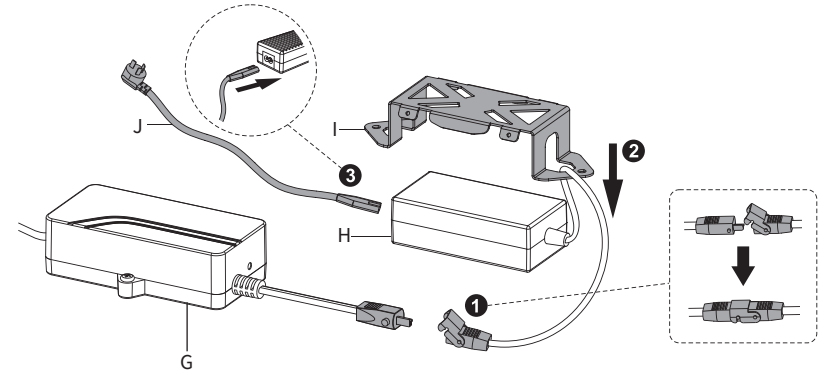
STEP 1

Prepare the cabinet before installation. Make sure you have at least 50mm of space in the front, top, and both sides of the TV inside of the cabinet. Plug Motorized Column (**A**) into Control Unit (**G**).



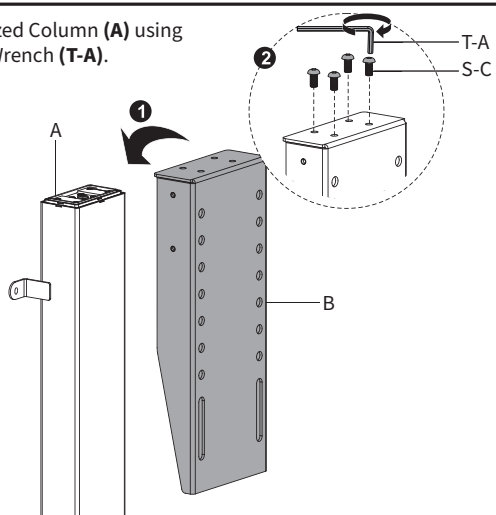
STEP 2

Slide cable for AC Adapter (**H**) through Adapter Bracket (**I**). Plug AC Adapter (**H**) into Control Unit (**G**). Plug Power Cable (**J**) into AC Adapter (**H**).



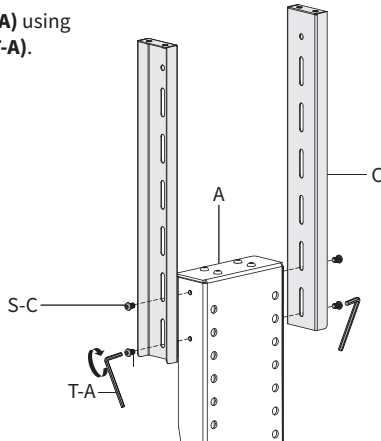
STEP 3

Mount Support Bracket (B) to Motorized Column (A) using M6x12 Screws (S-C) and 4mm Allen Wrench (T-A).



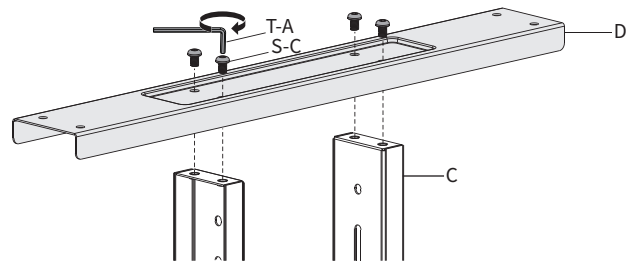
STEP 4

Assemble Side Brackets (C) to Motorized Leg (A) using M6x12 Screws (S-C) and 4mm Allen Wrench (T-A).



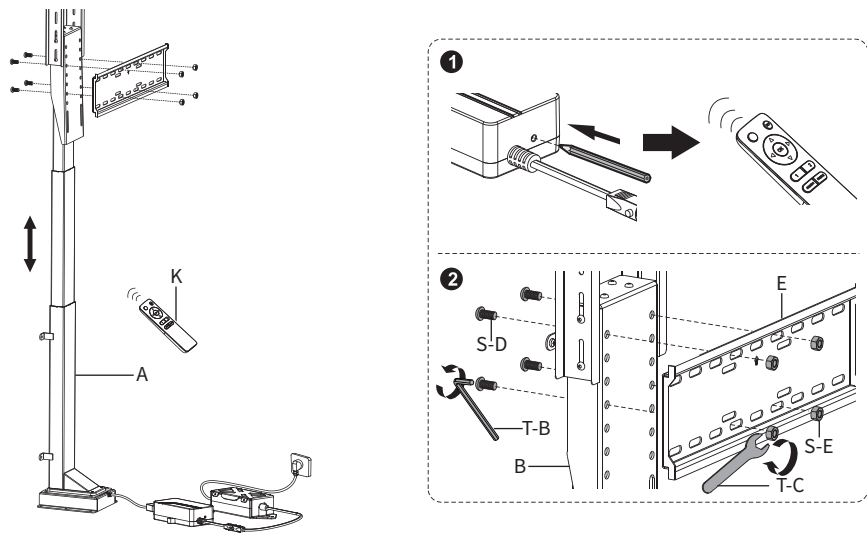
STEP 5

Secure Lid Support (D) to Side Brackets (C) using M6x12 Screws (S-C) and 4mm Allen Wrench (T-A).



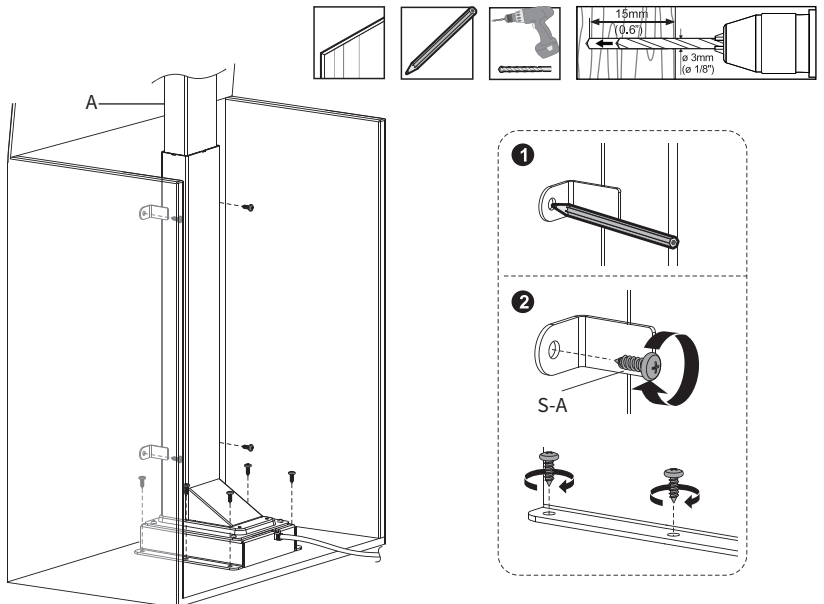
STEP 6

Note, pairing the Remote (K) maybe needed to continue. With the mount plugged in, if the mount will not respond to the remote, please follow the pairing instructions found in the remote control manual before proceeding. Use Remote (K) to raise Motorized Column (A) to the highest setting. Assemble TV Plate (E) to Support Bracket (B) using M10x20 Bolts (S-D) and M10 Nuts (S-E). Tighten using 6mm Allen Wrench (T-B) and Wrench (T-C).



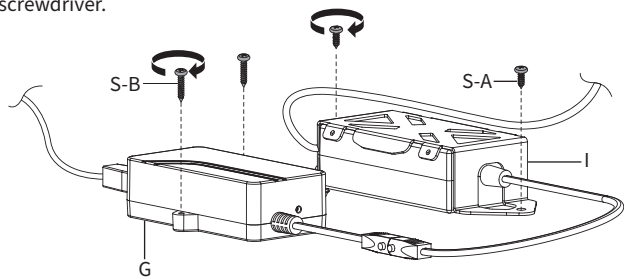
STEP 7

Mark drilling location inside of the cabinet using Motorized Column (A). Using a 3mm (1/8") drill bit, predrill holes approximately 15mm (0.6") deep. Secure Motorized Column (A) to the cabinet using ST5.5x16 Screws (S-A) using a Phillips screwdriver.



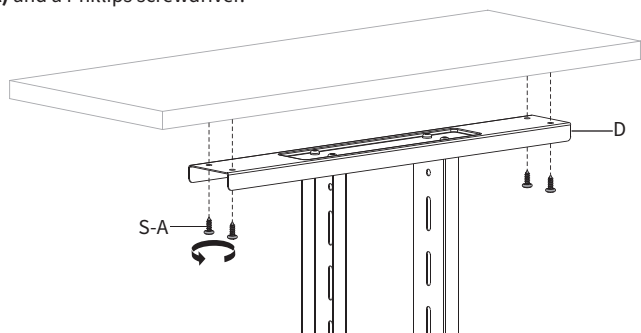
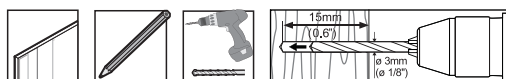
STEP 8

Mark drilling location inside of the cabinet using Control Unit (G) and Adapter Bracket (I). Using a 3mm (1/8") drill bit, predrill holes approximately 15mm (0.6") deep. Secure Control Unit (G) using ST4.2x20 Screws (S-B) and Adapter Bracket (I) using ST5.5x16 Screws (S-A) and a Phillips screwdriver.



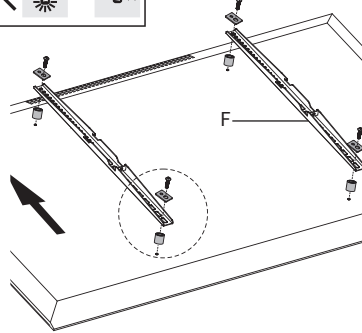
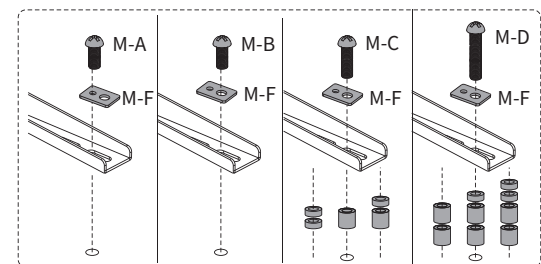
STEP 9

Mark drilling locations on the underside of the cabinet lid using Lid Support (D). Using a 3mm (1/8") drill bit, predrill holes approximately 15mm (0.6") deep. Secure the lid to Lid Support (D) using ST5.5x16 Screws (S-A) and a Phillips screwdriver.



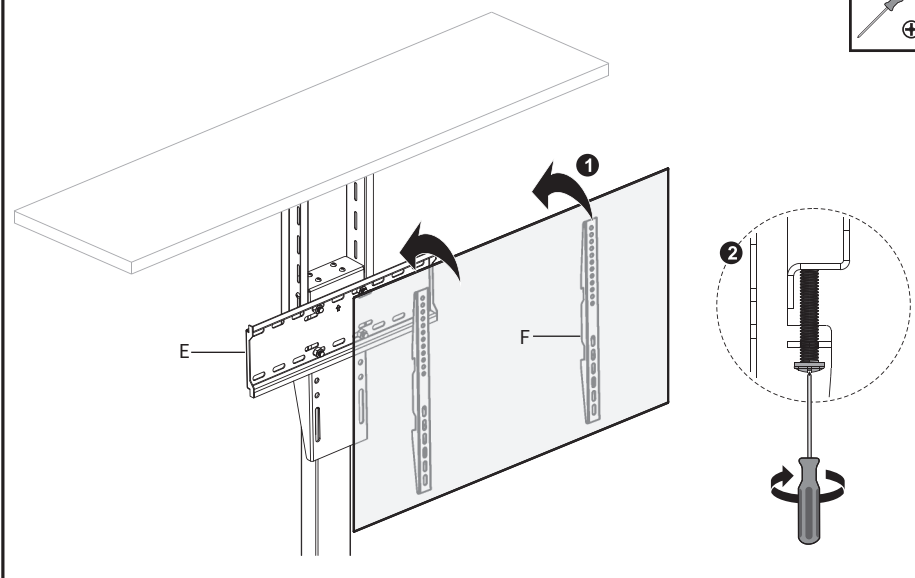
STEP 10

With the TV face down on a flat surface, secure VESA Brackets (F) to the TV using Screws (M-A through M-E), Washers (M-F) and Spacers (M-G, M-H).



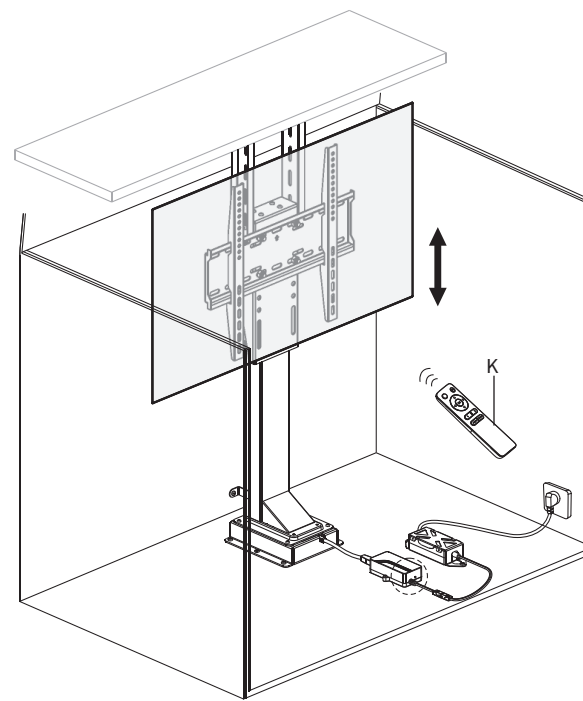
STEP 11

Hang VESA Brackets (F) onto TV Plate (E) and secure by tightening security screws on the underside of VESA Brackets (F) using a Phillips screwdriver.



STEP 12

Operate mount using Remote (K).





Open **Monday - Friday 7:00am - 7:00pm** CST,
our dedicated support team can offer immediate assistance with rapid response times. If any parts are received damaged or defective, please contact us. We are happy to replace parts to ensure you have a fully functioning product.



309-278-5303

AVG. RESOLUTION TIME (*within office hrs*): **5M 4S**



www.vivo-us.com

Chat live with an agent!

AVG. RESOLUTION TIME (*within office hrs*): **< 15 M**



help@vivo-us.com

AVG. RESPONSE TIME (*within office hrs*): **1HR 8M**

- 23% within < 15m
- 38% within < 30m
- 61% within < 1hr
- 83% within < 2hr
- 92% within < 3hr