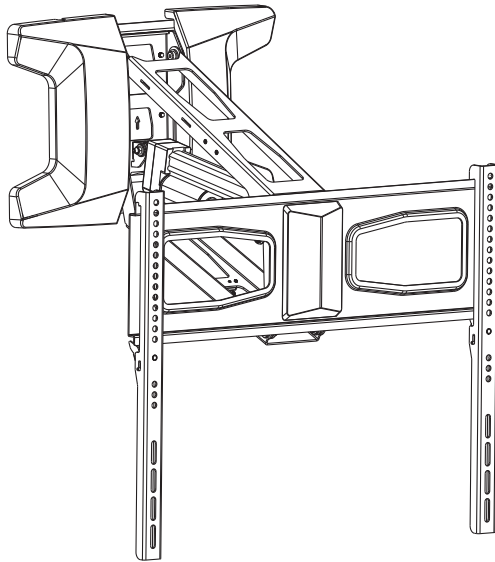




---

## Electric TV Wall Mount

### Instruction Manual



**SKU: MOUNT-E-MM070**



Scan the QR code with your mobile device or follow the link for helpful videos and specifications related to this product.

<https://vivo-us.com/products/mount-e-mm070>

---

**GET IN TOUCH** | Monday-Friday from 7:00am-7:00pm CST



help@vivo-us.com



www.vivo-us.com  
*Chat live with an agent!*

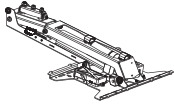


309-278-5303

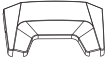
# **WARNING!**

If you do not understand these directions, or if you have any doubts about the safety of the installation, please call a qualified technician. Check carefully to make sure there are no missing or defective parts. Improper installation may cause damage or serious injury. Do not use this product for any purpose that is not explicitly specified in this manual. Do not exceed weight capacity. We cannot be liable for damage or injury caused by improper mounting, incorrect assembly or inappropriate use.

## PACKAGE CONTENTS



**A (x1)**  
Mount



**B (x2)**  
Wall Plate Cover



**C (x1)**  
Stencil



**D (x1)**  
TV Plate



**E (x2)**  
VESA Bracket



**F (x1)**  
Front Cover



**G (x1)**  
Remote



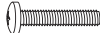
**H (x1)**  
Power Cord



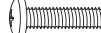
**M-A (x4)**  
M5x14mm Screw



**M-B (x4)**  
M6x14mm Screw



**M-C (x4)**  
M6x30mm Screw



**M-D (x4)**  
M8x30mm Screw



**M-E (x4)**  
M8x50mm Screw



**M-F (x4)**  
Square Washer



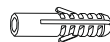
**M-G (x8)**  
5mm Spacer



**M-H (x8)**  
15mm Spacer



**W-A (x6)**  
ST6.3x55mm Screw



**W-B (x6)**  
Anchor



**W-C (x6)**  
Washer



**T-A (x1)**  
Wrench

**NOTE:** NOT ALL HARDWARE INCLUDED WILL BE USED

## **CAUTION!**

DO NOT INSTALL INTO DRYWALL ALONE. VERIFY YOUR WALL CONSTRUCTION. USE WOOD STUDS TO MOUNT. We include mounting for brick and concrete walls. If unsure, please contact us at vivo-us.com, email at [help@vivo-us.com](mailto:help@vivo-us.com), or call us at 309-278-5303.

## **WARNING: CHOKING HAZARD**

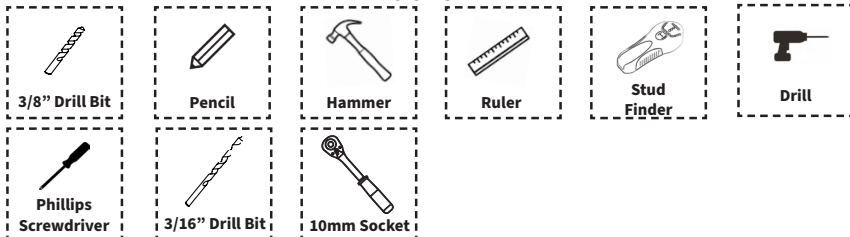
SMALL PARTS - NOT FOR CHILDREN UNDER 3 YEARS. ADULT SUPERVISION IS REQUIRED.

DO NOT EXCEED WEIGHT CAPACITY.

Failure to do so may result in serious injury.



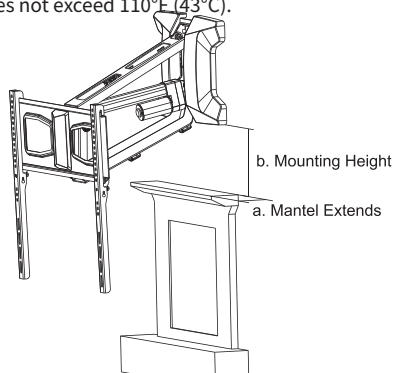
## TOOLS NEEDED



## ASSEMBLY STEPS

### STEP 1

Measure the required mounting height using the chart below. Ensure the front edge of the mantel does not exceed 110°F (43°C).

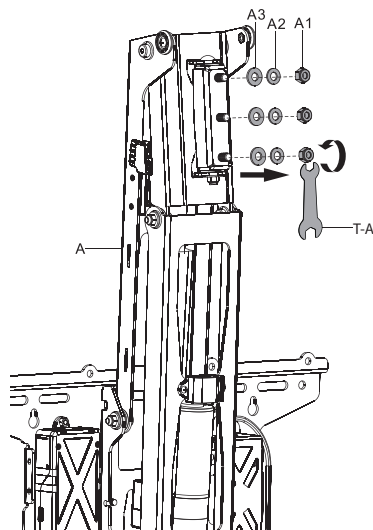


Use this chart for installation STEP 3.

a. If mantel extends:	b. This is required mounting height:
≤ 4" (100mm)	≥ 3-1/8" (80mm)
≤ 7-7/8" (200mm)	≥ 7-7/8" (200mm)
≤ 11-3/4" (300mm)	≥ 9-7/8" (250mm)
≤ 13-3/4" (350mm)	≥ 11-3/4" (300mm)

### STEP 2

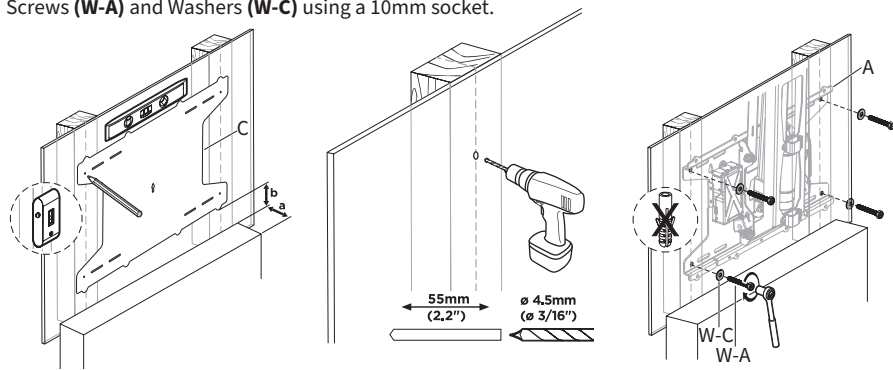
Remove pre-installed Nuts (A1), Metal Washers (A2) and Plastic Washers (A3) from Mount (A) using Wrench (T-A).



### STEP 3 (Option A)

#### Wood Stud Installation

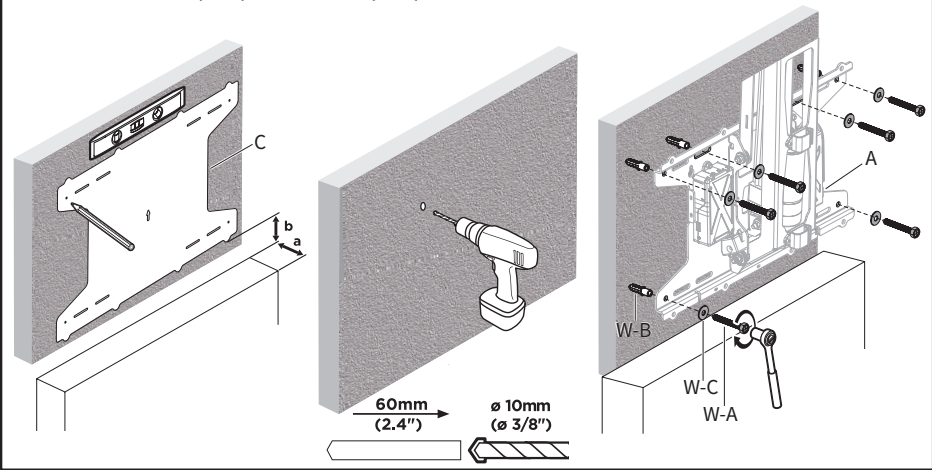
Align the bottom edge of Stencil (C) with the measured height from step 1 and mark drilling locations using a pencil. Use of a stud finder and level is recommended. Remove Stencil (C) and drill 2.2" (55mm) deep holes using a 3/16" (4.5mm) drill bit. Attach Mount (A) to the wall with ST6.3x55mm Screws (W-A) and Washers (W-C) using a 10mm socket.



### STEP 3 (Option B)

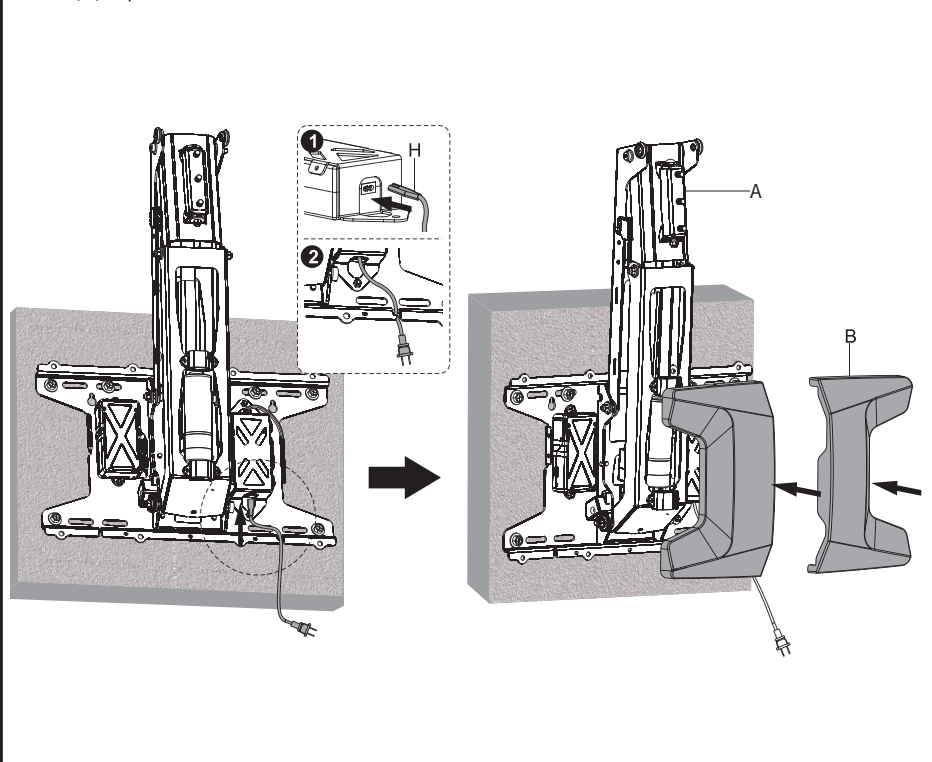
#### Concrete/Brick Installation

Align the bottom edge of Stencil (C) with the measured height from step 1 and mark drilling locations using a pencil. Use of a level is recommended. Remove Stencil (C), drill 2.4" (60mm) deep holes using a 3/8" (10mm) drill bit, and insert Anchors (W-B) into the holes. Attach Mount (A) to the wall using ST6.3x55mm Screws (W-A) and Washers (W-C) and a 10mm socket.



### STEP 4

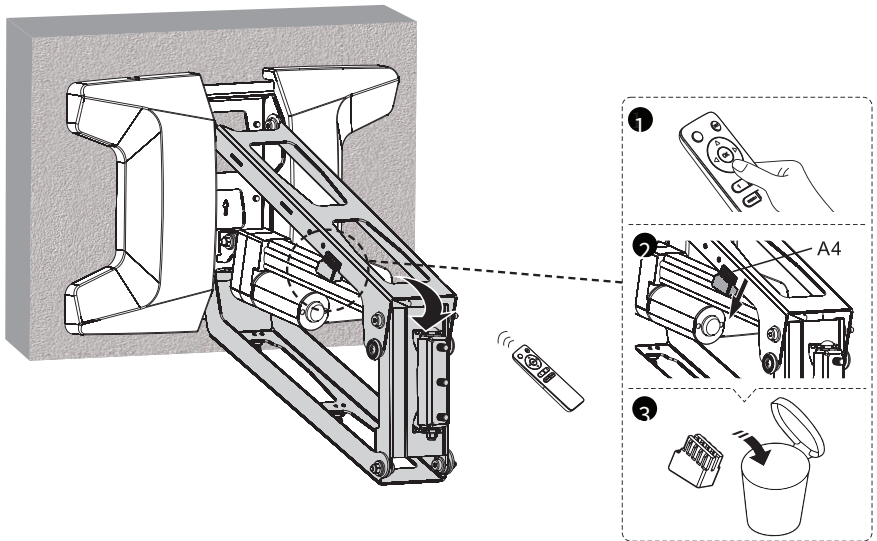
Plug Power Cord (H) into Mount (A). Place Power Cord (H) into the slot as shown and snap Wall Plate Covers (B) in place.



## STEP 5

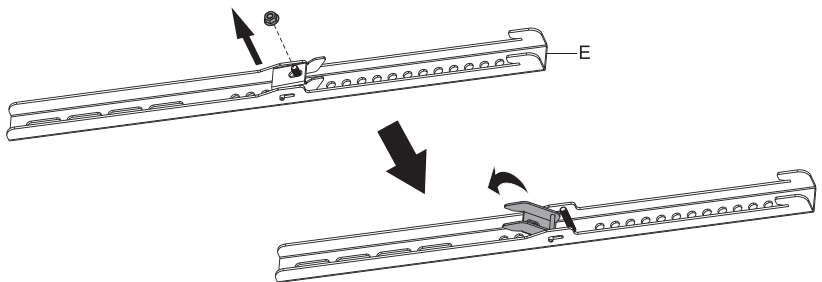
Plug Power Cord (**H**) into a wall outlet. Press and hold the down button on Remote (**G**) until the arm is fully lowered. Remove and discard the plastic wedge (**A4**).

**WARNING!** The arm is not able to fully raise and may cause damage to the mount if the wedge is not removed.



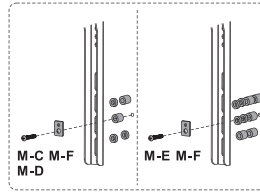
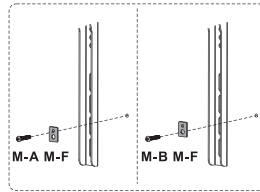
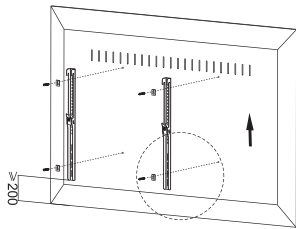
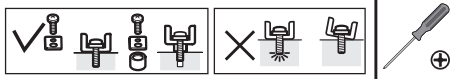
## STEP 6

Remove the nut from each VESA Bracket (**E**) and flip open the clip.



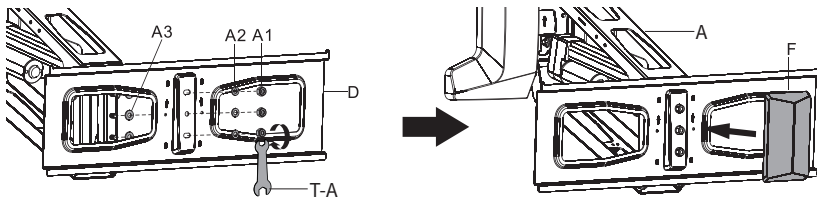
## STEP 7

Attach VESA Brackets (E) to the back of the TV using combination of Screws (M-A - M-E), Washers (M-F) and Spacers (M-G, M-H) appropriate for your TV.



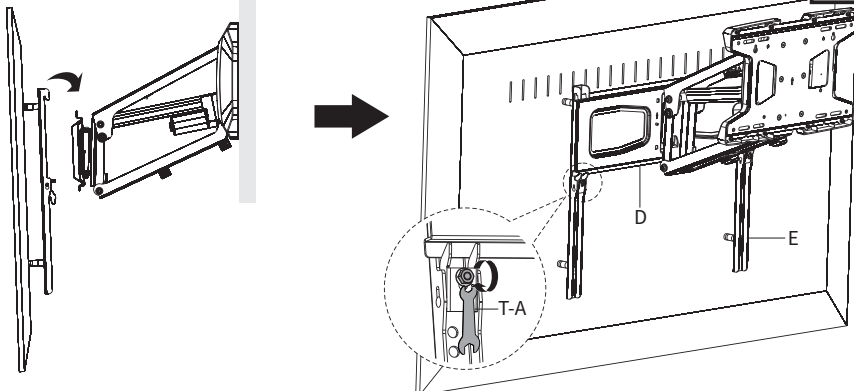
## STEP 8

Place previously removed Plastic Washers (A3) on Mount (A). Attach TV Plate (D) to Mount (A) using Nuts (A1) with Metal Washers (A2). Make sure TV Plate (D) is level, and tighten nuts using Wrench (T-A). Press Front Cover (F) onto the front of TV Plate (D).



## STEP 9

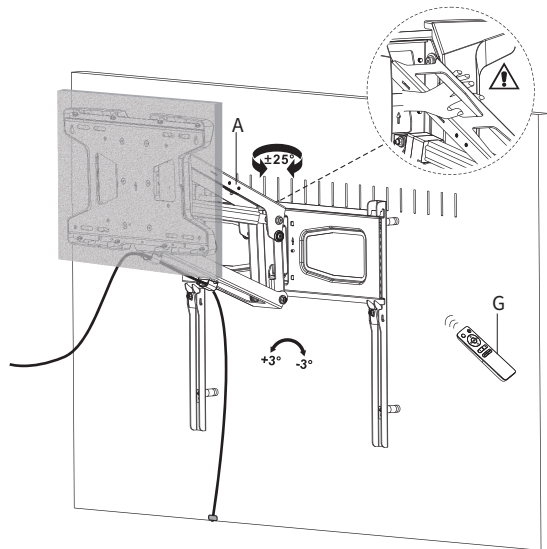
Hang the TV with VESA Brackets (E) onto TV Plate (D). Close the clips, and secure using the previously removed nuts. Tighten with Wrench (T-A).



## STEP 10

Manage cables using the cable clips on the arm. Use Remote (G) to raise and lower Mount (A). The TV may be manually swiveled to the left and right.

**CAUTION:** To avoid injury, do not place hand in the arm while operating.





Open **Monday - Friday 7:00am - 7:00pm** CST,  
our dedicated support team can offer immediate assistance with rapid response times. If any parts are received damaged or defective, please contact us. We are happy to replace parts to ensure you have a fully functioning product.



309-278-5303

**AVG. RESOLUTION TIME** (*within office hrs*): **5M 4S**



[www.vivo-us.com](http://www.vivo-us.com)  
*Chat live with an agent!*

**AVG. RESOLUTION TIME** (*within office hrs*): **< 15 M**



[help@vivo-us.com](mailto:help@vivo-us.com)

**AVG. RESPONSE TIME** (*within office hrs*): **1HR 8M**

- 23% within < 15m
- 38% within < 30m
- 61% within < 1hr
- 83% within < 2hr
- 92% within < 3hr