

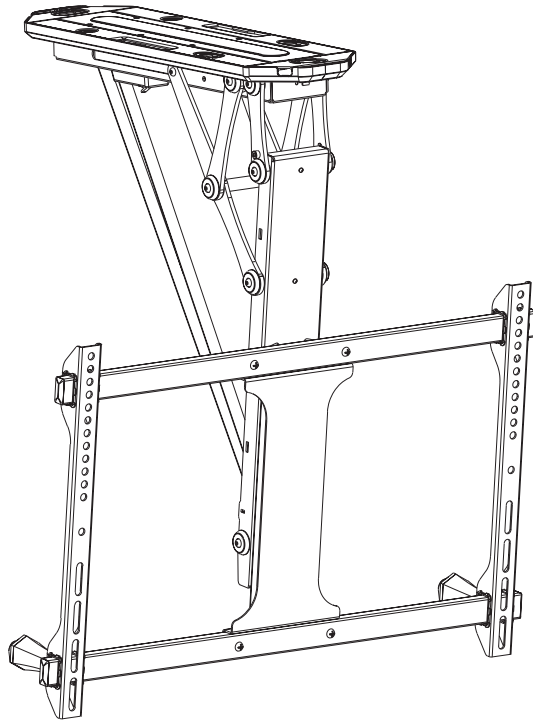


---

## Electric Flip Down Ceiling TV Mount

**SKU: MOUNT-E-FD70/W**

Instruction Manual



### **ASSEMBLY VIDEO AVAILABLE:**

Follow along step-by-step with our video walk through by scanning the QR code with your mobile device or by following the product link: [vivo-us.com/products/mount-e-fd70](https://www.vivo-us.com/products/mount-e-fd70)

# Contact Us First!

***DO NOT RETURN ITEM***

Our friendly product support team is here to help!



**PERSONABLE CUSTOMER SUPPORT**

**7AM - 7PM**

**Monday-Friday**



Give us a Call:  
**309-278-5303**



Chat Us:  
**[www.vivo-us.com](http://www.vivo-us.com)**



Email Us:  
**[help@vivo-us.com](mailto:help@vivo-us.com)**

---

## We're Here for You!

Our customer-minded support team is here for YOU,

**Monday-Friday 7am-7pm CST.**

We offer immediate assistance with rapid response times from customer service agents and product technicians to help you every step of the way!



## Missing a Part?

If any parts are received damaged / defective OR you are missing a part, please reach out to us ***within 30 days of product delivery to have it replaced at no cost.***

We are happy to replace parts to ensure you have a fully functioning product

## PRE-ASSEMBLY | BEFORE YOU BEGIN



If you do not understand these directions, or if you have any doubts about the safety of the installation, please call a qualified technician. Check carefully to make sure there are no missing or defective parts. Improper installation may cause damage or serious injury. Do not use this product for any purpose that is not explicitly specified in this manual. Do not exceed weight capacity. We cannot be liable for damage or injury caused by improper mounting, incorrect assembly or inappropriate use.

### **WARNING: CHOKING HAZARD**

SMALL PARTS - NOT FOR CHILDREN UNDER 3 YEARS. ADULT SUPERVISION IS REQUIRED.



### **CAUTION!**

DO NOT INSTALL INTO DRYWALL ALONE. VERIFY YOUR WALL CONSTRUCTION. USE WOOD STUDS TO MOUNT. We include mounting for brick and concrete walls. If unsure, please contact us at [vivo-us.com](http://vivo-us.com), email at [help@vivo-us.com](mailto:help@vivo-us.com), or call us at 309-278-5303.

### **WEIGHT CAPACITY**

DO NOT EXCEED WEIGHT CAPACITY. Failure to do so may result in serious injury.



77lbs  
(35kg)



### **Product Warranty**

For the most up to date details on your product's warranty, please visit the product's listing on our website or reach out to customer support.

[vivo-us.com/products/mount-e-fd70](http://vivo-us.com/products/mount-e-fd70)



### **Returns | Product Didn't Work Out?**

We offer a hassle-free 30 day return on all products. Contact customer support at 309-278-5303 or [help@vivo-us.com](mailto:help@vivo-us.com). Please note: For items ordered in error or no longer needed, the return shipping charges will be at the buyer's expense.

**TOOLS NEEDED:**

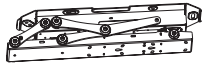


**DIFFICULTY LEVEL**



**PACKAGE CONTENTS**

Please consult the parts list below and ensure you have everything you need to assemble your product. If parts are missing or damaged, please contact us.



**A (x1)**  
Mount



**B (x1)**  
Center Plate



**C (x1)**  
Ceiling Template



**D (x2)**  
Decorative Cover



**E (x2)**  
VESA Bracket



**F (x2)**  
Bracket Rail



**G (x1)**  
AC Adapter



**H (x1)**  
Remote



**I (x4)**  
Cable Tie



**J (x2)**  
Leveling Knob



**S-A (x4)**  
Set Screw



**S-B (x4)**  
M6x25mm Screw



**S-C (x4)**  
M6 Washer



**S-D (x4)**  
M6 Nut



**S-E (x4)**  
M4x8mm Screw



**M-A (x4)**  
M6x14mm  
Screw



**M-B (x4)**  
M8x16mm  
Screw



**M-C (x4)**  
M6x30mm  
Screw



**M-D (x4)**  
M8x35mm  
Screw



**M-E (x4)**  
M8 Washer



**M-F (x4)**  
Small Spacer



**M-G (x4)**  
Large Spacer



**W-A (x6)**  
ST6.3x55mm  
Screw



**W-B (x6)**  
Concrete Anchor



**W-C (x4)**  
Washer



**T-A (x1)**  
3mm Allen Wrench

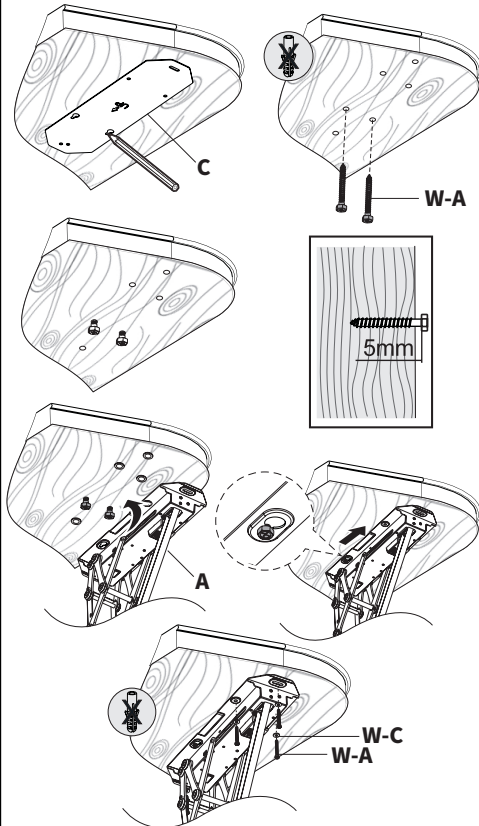
**NOTE:** SOME HARDWARE INCLUDED MAY NOT BE USED

# ASSEMBLY STEPS

## STEP 1: Installing the Mount

### OPTION A: Wood Ceiling

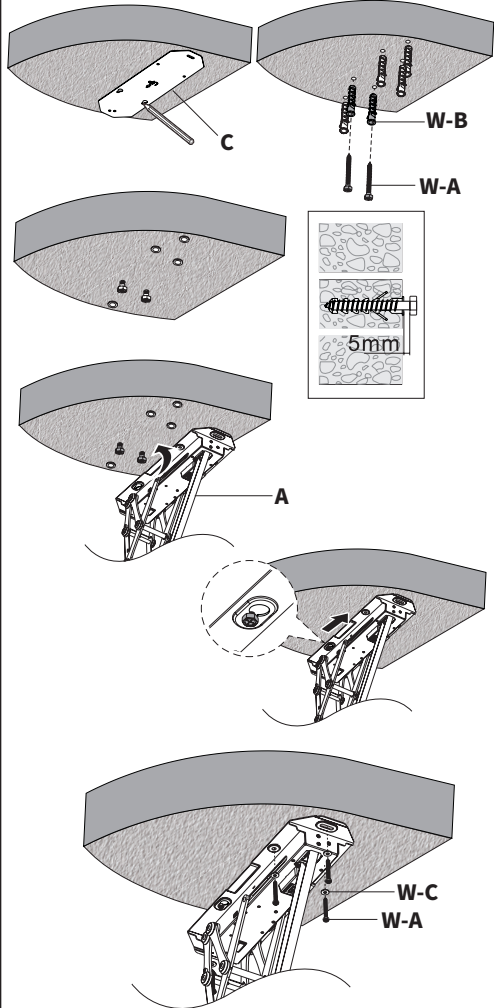
Using Ceiling Template (C), mark exact location of mounting holes. Drill pilot holes 2.2" deep using a 4.5mm drill bit. Insert two ST6.3x55mm Screws (W-A), leaving a 5mm gap from ceiling. Hang Mount (A) so that the screws fit into the keyhole openings. Slide Mount (A) backward, then secure using additional ST6.3x55mm Screws (W-A) with Washers (W-C).



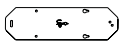
**NOTE:** If mounting to a wood beam ceiling, ensure the front and back holes are used for the main support if mount is in line with the beam. If perpendicular to the beam, use keyhole openings for the main support. **Do NOT** use included Concrete Anchors (W-B) for wood or drywall.

### OPTION B: Concrete Ceiling

Using Ceiling Template (C), mark exact location of mounting holes. Drill pilot holes 2.4" deep, using a 10mm drill bit. Insert six Anchors (W-B), then tighten two ST6.3x55mm Screws (W-A), leaving a 5mm gap from ceiling. Hang Mount (A) so that the screws fit into the keyhole openings. Slide Mount (A) backward, then secure using additional ST6.3x55mm Screws (W-A) with Washers (W-C). Tighten all screws.



A (x1)  
Mount



C (x1)  
Template



W-A (x6)  
ST6.3x55mm Screw



W-B (x6)  
Concrete Anchor

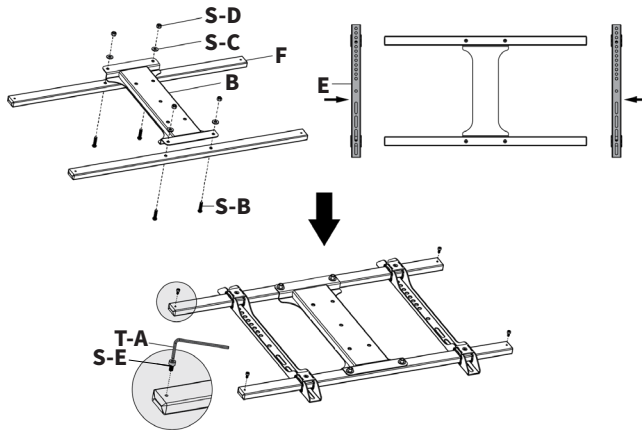


W-C (x4)  
Washer

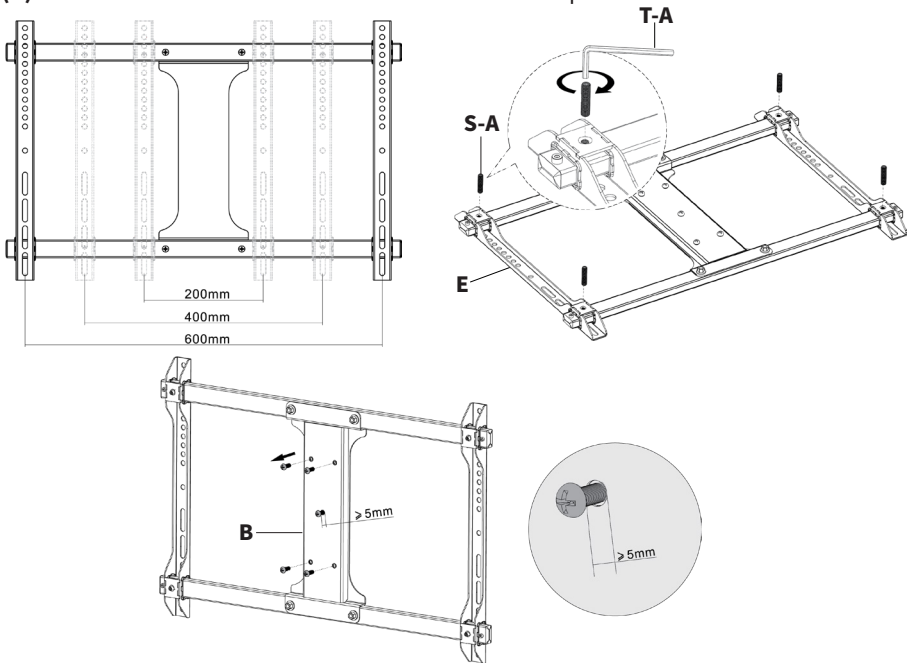


## STEP 2: Assembling VESA Components

Assemble Bracket Rails (**F**) to Center Plate (**C**) using M6x25mm Screws (**S-B**), M6 Washers (**S-C**) and M6 Nuts (**S-D**). While holding M6 Nuts (**S-D**) with a wrench, use a Phillips screwdriver to tighten M6x25mm Screws (**S-B**). Slide VESA Brackets (**E**) onto Bracket Rails (**F**) and secure using M4x8mm Screws (**S-E**) and 3mm Allen Wrench (**T-A**).



Adjust VESA Brackets (**E**) spacing to match TV mounting holes, and lock in place using Set Screw (**S-A**) and 3mm Allen Wrench (**T-A**). Remove the four pre-installed screws from Center Plate (**B**) and loosen the center screw until 5mm of thread is exposed.



**E** (x2)  
VESA Bracket



**B** (x1)  
Center Plate



**F** (x2)  
Bracket Rail



**S-B** (x4)  
M6x25mm Screw



**S-C** (x4)  
M6 Washer



**S-E** (x4)  
M4x8mm Screw



**S-D** (x4)  
M6 Nut



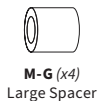
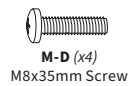
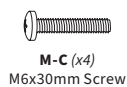
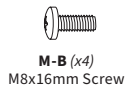
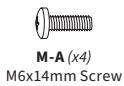
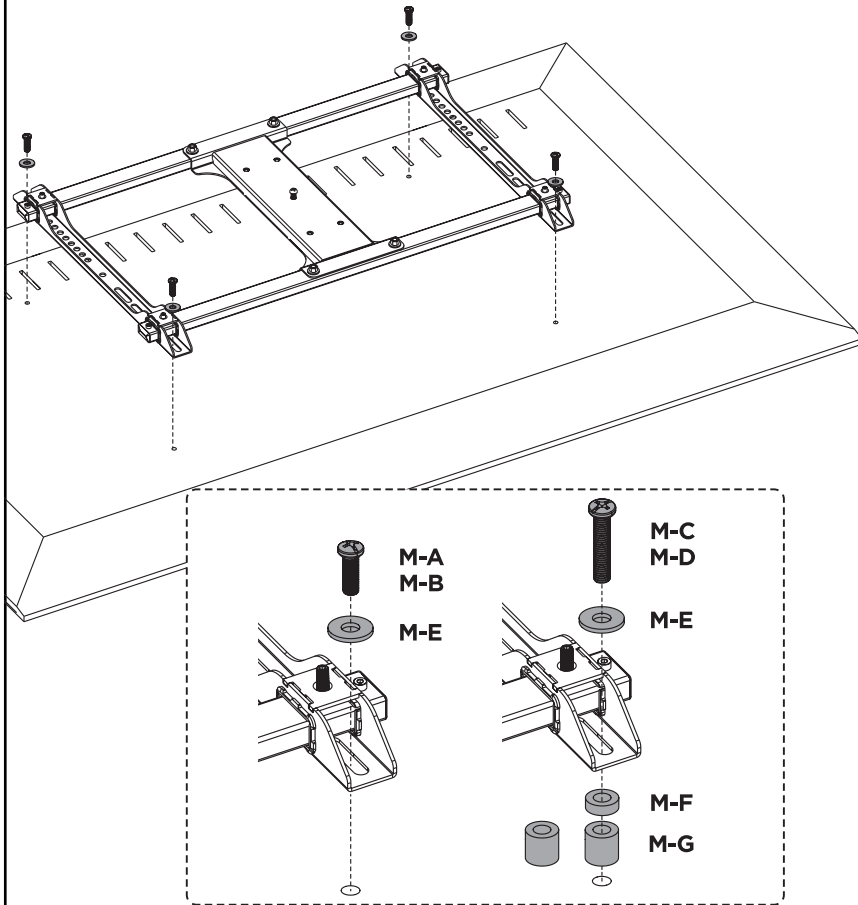
**S-A** (x4)  
Set Screw



**T-A** (x1)  
3mm Allen Wrench

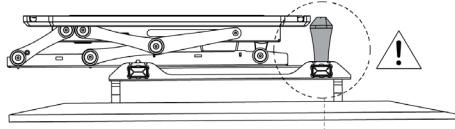
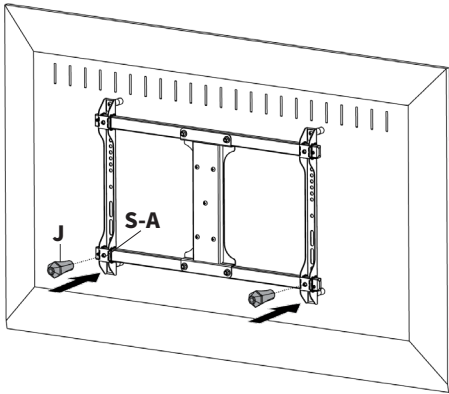
### STEP 3: Mounting VESA Assembly

Align the VESA bracket assembly with the mounting holes in the back of the TV screen. Install assembly to TV using appropriate screws (**M-A thru M-D**), M8 Washers (**M-E**), and Spacers (**M-F, M-G**) according to your screen's requirements.



### STEP 4: Attach Leveling Knobs (Optional)

Attach Leveling Knobs (**J**) to the lower two Set Screws (**S-A**) as shown. This will ensure the TV is perfectly level with the ceiling when raised.



Note: the leveling knob will touch the ceiling and balance the mount when the mount fold up to the minimum position against the ceiling.



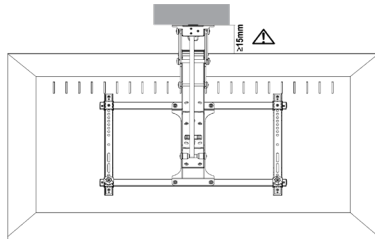
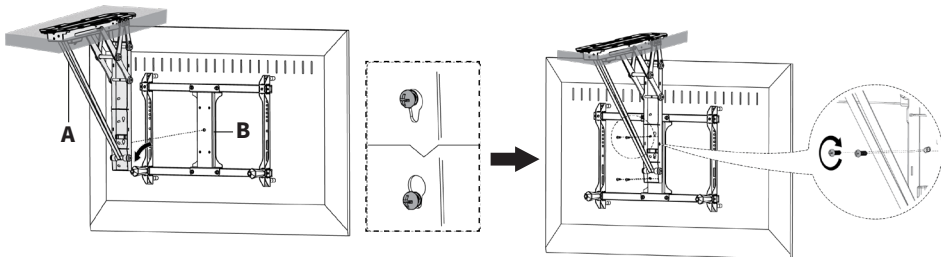
**S-A** (x4)  
Set Screw



**J** (x2)  
Leveling Knob

### STEP 5: Place TV on Mount

Place the TV with VESA bracket assembly on Mount (**A**) by inserting the center screw on Center Plate (**B**) into the keyhole on Mount (**A**) at the desired height. Secure using previously removed screws (*STEP 2*) and tighten with a Phillips screwdriver. Clearance between the ceiling and top edge of TV should be no less than 15mm when TV is in the fully lowered position.

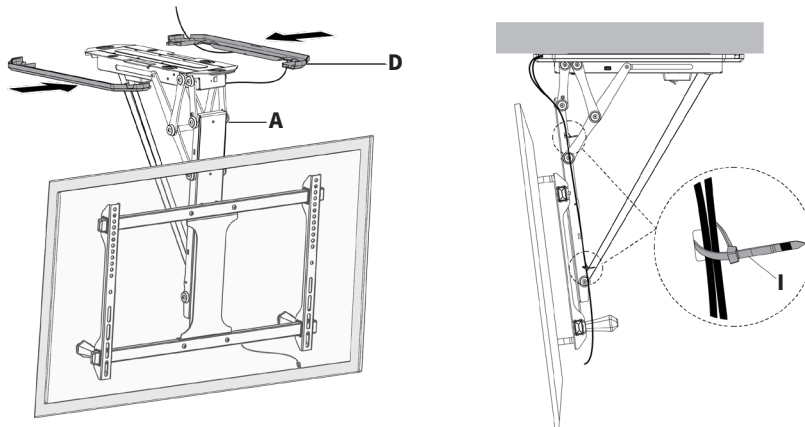




## STEP 6: Manage Cables

Run cables along edge of Mount (A). Allow slack in cables for arm movement. Place Decorative Covers (D) over cables and snap into place. Next, using Cable Ties (I) to fasten cables to the side of the arm.

**NOTE:** Keep cables clear from inside of arm to avoid damage due to pinching.



D (x2)  
Decorative Cover

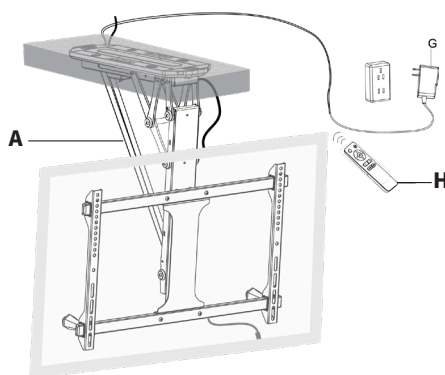


I (x4)  
Cable Tie

## STEP 7: Connect AC Adapter

Plug AC Adapter (G) into Mount (A), and connect to AC outlet. Follow Remote (H) instructions for operation.

**NOTE:** Plugging power supply into AC outlet prior to the mount may cause a large spark when connecting to the mount.



G (x1)  
AC Adapter



H (x1)  
Remote



CHECK OUT OTHER GREAT PRODUCTS FROM



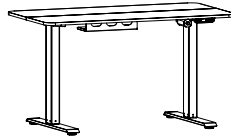
**EXPLORE MORE AT VIVO-US.COM**

*We offer a wide array of home & office products to fit your needs. From height adjustable desks to monitor mounts to keyboard trays and more!*



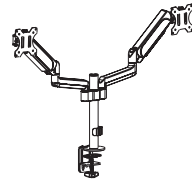
**SPEAKER MOUNTS  
& STANDS**

Whether you're mounting a soundbar or surround sound system, we've got a mounting solution to fit your needs



**HEIGHT  
ADJUSTABLE DESKS**

We offer electric & manual crank standing desks, corner frames, desk & top combos, and more!



**MONITOR  
MOUNTS**

From single monitor mounts to hex mount, grommet or clamp-ons, we've got a mounting solution for your setup.



**WHO WE ARE**

---



VIVO is more than a brand of ergonomic office furniture. We are a team of creative and innovative individuals working together to offer high quality, affordable ergonomic solutions. We think and work outside of the box to serve you, our customer, to the best of our ability.



# Need Assistance?

We Would Love to Help!



## Personable Customer Support | **Mon-Fri 7am-7pm**

We offer immediate assistance with rapid response times from customer service agents and product technicians to help you every step of the way!



Call Us: **309-278-5303**

Average Resolution Time: **5m 4s**



Chat Us: **[www.vivo-us.com](http://www.vivo-us.com)**

Average Resolution Time: **< 15m**



Email Us: **[help@vivo-us.com](mailto:help@vivo-us.com)**

Average Resolution Time: **1HR 8M**

*23% within < 15m*

*38% within < 30m*

*61% within < 1hr*

*83% within < 2hr*

*92% within < 3hr*



**LOVE YOUR NEW VIVO SETUP?**

Ready to share that new amazing setup? Want to brag about that amazing new ergonomic solution?

Tag us in your photo!



**VIVO-us @vivo\_us**

FOR MORE GREAT VIVO PRODUCTS,  
CHECK OUT OUR WEBSITE AT: [WWW.VIVO-US.COM](http://WWW.VIVO-US.COM)