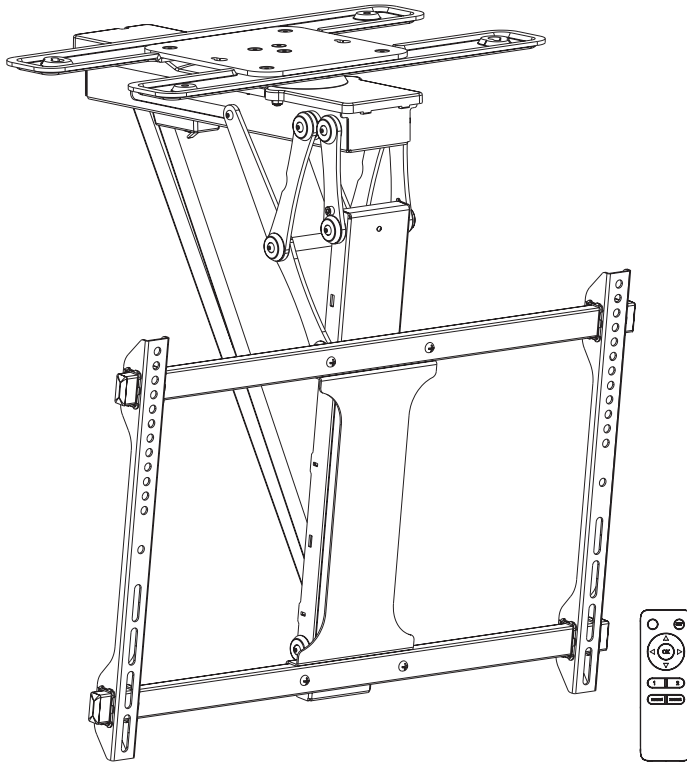


Black Electric Flip Down / Swivel Ceiling TV Mount **SKU: MOUNT-E-FD70S**

Instruction Manual



ASSEMBLY VIDEO AVAILABLE:

Follow along step-by-step with our video walk through by scanning the QR code with your mobile device or by following the product link: vivo-us.com/products/mount-e-fd70s

Contact Us First!

DO NOT RETURN ITEM

Our friendly product support team is here to help!



PERSONABLE CUSTOMER SUPPORT

7AM - 7PM

Monday-Friday



Give us a Call:
309-278-5303



Chat Us:
www.vivo-us.com



Email Us:
help@vivo-us.com

We're Here for You!

Our customer-minded support team is here for YOU,

Monday-Friday 7am-7pm CST.

We offer immediate assistance with rapid response times from customer service agents and product technicians to help you every step of the way!



Missing a Part?

If any parts are received damaged / defective OR you are missing a part, please reach out to us ***within 30 days of product delivery to have it replaced at no cost.***

We are happy to replace parts to ensure you have a fully functioning product

PRE-ASSEMBLY | BEFORE YOU BEGIN



If you do not understand these directions, or if you have any doubts about the safety of the installation, please call a qualified technician. Check carefully to make sure there are no missing or defective parts. Improper installation may cause damage or serious injury. Do not use this product for any purpose that is not explicitly specified in this manual. Do not exceed weight capacity. We cannot be liable for damage or injury caused by improper mounting, incorrect assembly or inappropriate use.

WARNING: CHOKING HAZARD

SMALL PARTS - NOT FOR CHILDREN UNDER 3 YEARS. ADULT SUPERVISION IS REQUIRED.

CAUTION!



DO NOT INSTALL INTO DRYWALL ALONE. VERIFY YOUR WALL CONSTRUCTION. USE WOOD STUDS TO MOUNT. We include mounting for brick and concrete walls. If unsure, please contact us at vivo-us.com, email at help@vivo-us.com, or call us at 309-278-5303.

PITCH CEILING WARNING:

DO NOT attempt to install on a pitched ceiling. Mount will not operate as intended.

WEIGHT CAPACITY

DO NOT EXCEED WEIGHT CAPACITY. Failure to do so may result in serious injury.



77lbs
(35kg)



Product Warranty

For the most up to date details on your product's warranty, please visit the product's listing on our website or reach out to customer support.

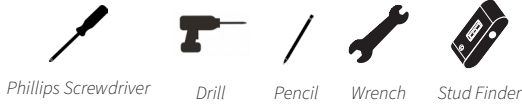
vivo-us.com/products/mount-e-fd70s



Returns | Product Didn't Work Out?

We offer a hassle-free 30 day return on all products. Contact customer support at 309-278-5303 or help@vivo-us.com. Please note: For items ordered in error or no longer needed, the return shipping charges will be at the buyer's expense.

TOOLS NEEDED:

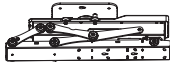


DIFFICULTY LEVEL

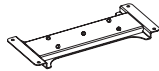


PACKAGE CONTENTS

Please consult the parts list below and ensure you have everything you need to assemble your product. If parts are missing or damaged, please contact us.



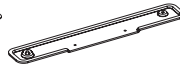
A (x1)
Mount



B (x1)
Center Plate



C (x1)
Ceiling Template



D (x2)
Mounting Bracket



E (x2)
VESA Bracket



F (x2)
Bracket Rail



G (x1)
AC Adapter



H (x1)
Remote



I (x4)
Cable Tie



J (x2)
Cable Clip



S-A (x4)
M6x10mm
Set Screw



S-B (x4)
M6x25mm Screw



S-C (x4)
M6 Washer



S-D (x4)
M6 Nut



S-E (x4)
M4x8mm Screw



S-F (x4)
M6x10mm Screw



M-A (x4)
M6x14mm Screw



M-B (x4)
M8x16mm Screw



M-C (x4)
M6x30mm Screw



M-D (x4)
M8x35mm Screw



M-E (x4)
M8 Washer



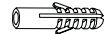
M-F (x4)
Small Spacer



M-G (x4)
Large Spacer



W-A (x4)
ST6.3x55mm
Screw



W-B (x4)
Concrete Anchor



W-C (x2)
Washer



T-A (x1)
3mm Allen Wrench



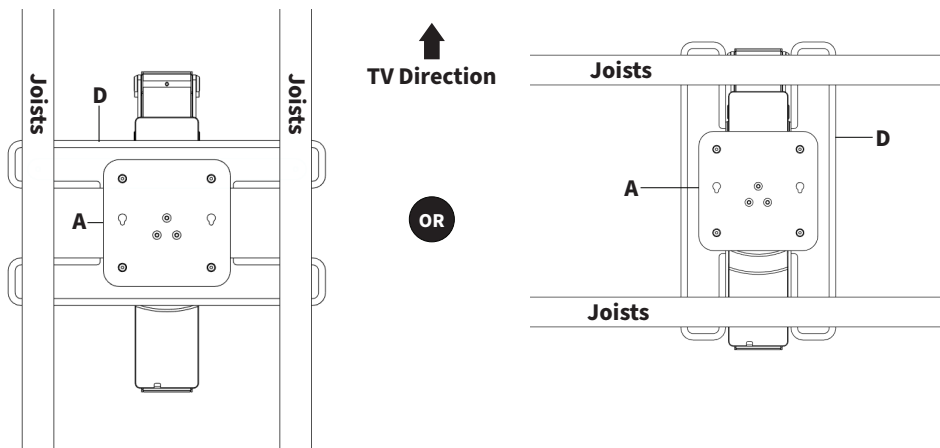
T-B (x1)
4mm Allen Wrench

NOTE: SOME HARDWARE INCLUDED MAY NOT BE USED

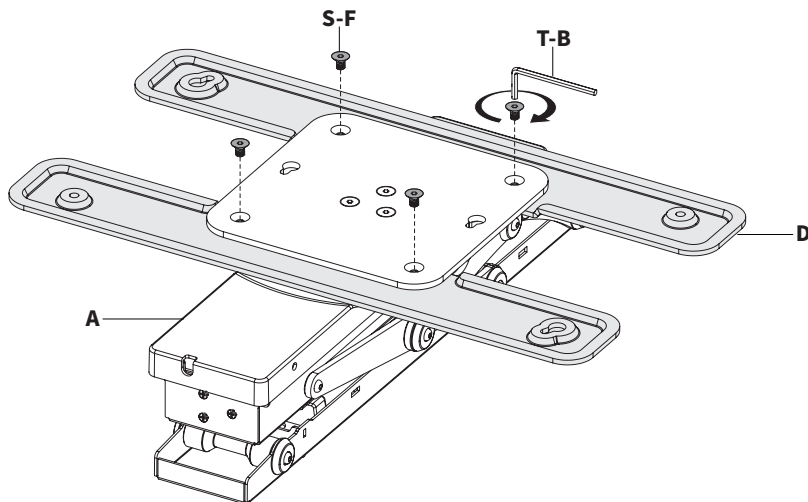
ASSEMBLY STEPS

STEP 1: Installing the Mounting Brackets

For wooden joist mounting, determine what direction the joists run and the direction you want the display mounted. Using the layout images, assemble Mounting Brackets (**D**) to Mount (**A**) using M6x10mm Screws (**S-F**) and 4mm Allen Wrench (**T-B**). For concrete ceilings, Mounting Brackets (**D**) can be assembled in either orientation.



NOTE: The remaining steps will be using this mounting style



A (x1)
Mount



D (x2)
Mounting Bracket



S-F (x4)
M6x10mm Screw

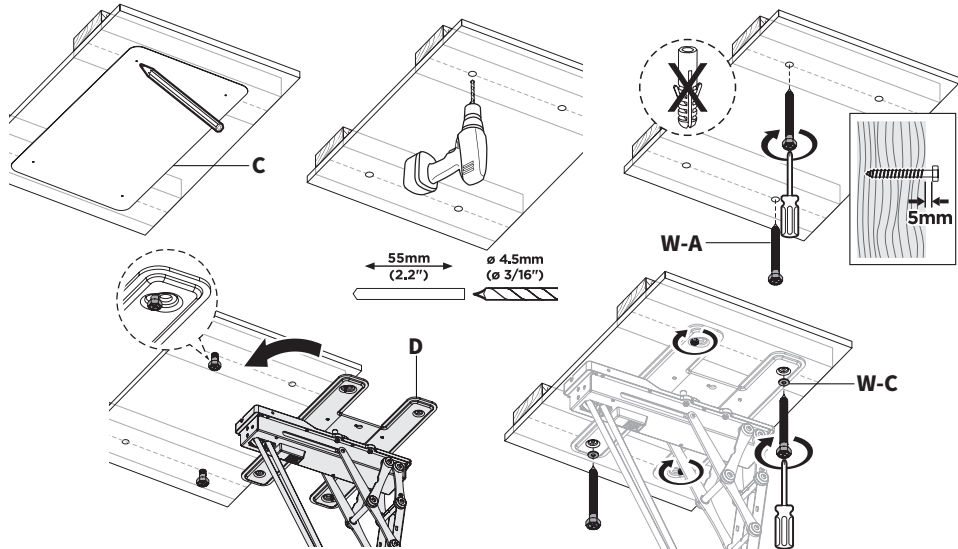


T-B (x1)
4mm Allen Wrench

STEP 2: Mounting VESA Assembly

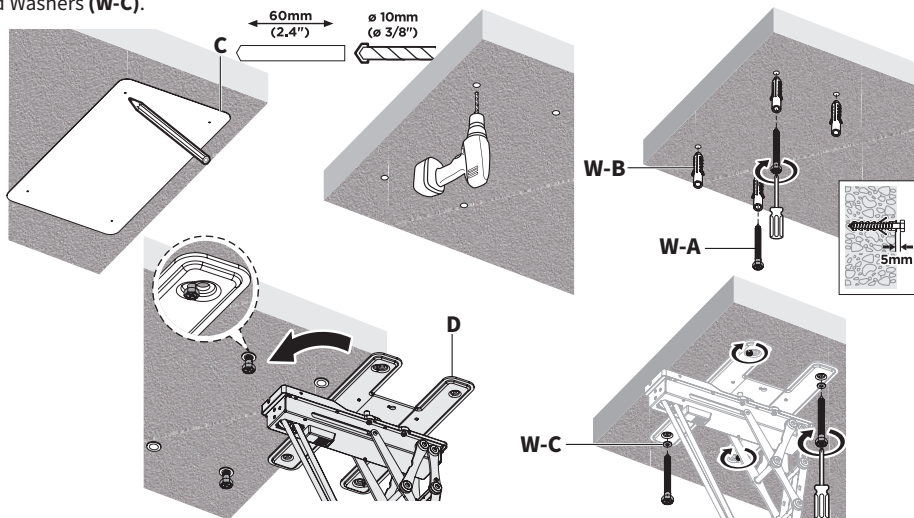
OPTION A: Wood Beam Ceiling

Using Ceiling Template (C), mark exact location of mounting holes. Drill pilot holes 2.2" (55mm) deep using a 3/16" (4.5mm) drill bit. Insert two ST6.3x55mm Screws (W-A) inline with the keyhole slots on the mount, leaving a 5mm gap from ceiling. Hang Mounting Brackets (D) so that the screws fit into the keyhole openings, then then slightly rotate the mount so the screw heads are resting on the smaller hole. Tighten screws and secure using additional additional ST6.3x55mm Screws (W-A) and Washers (W-C).



OPTION B: Concrete Ceiling

Using Ceiling Template (C), mark exact location of mounting holes. Drill pilot holes 2.4" (60mm) deep, using a 3/8" (10mm) drill bit. Insert Concrete Anchors (W-B) into drilled holes. Insert two ST6.3x55mm Screws (W-A) inline with the keyhole slots on the mount, leaving a 5mm gap from ceiling. Hang Mounting Brackets (D) so that the screws fit into the keyhole openings, then then slightly rotate the mount so the screw heads are resting on the smaller hole. Tighten screws and secure using additional additional ST6.3x55mm Screws (W-A) and Washers (W-C).



C (x1)
Template



W-A (x4)
ST6.3x55mm Screw



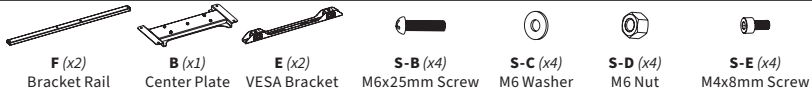
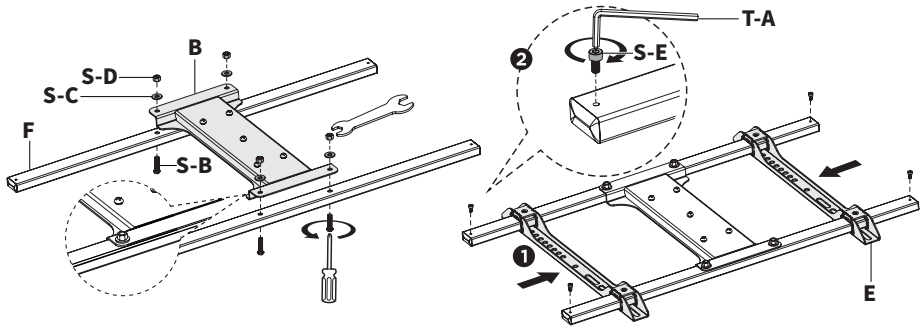
W-C (x2)
Washer



W-B (x4)
Concrete Anchor

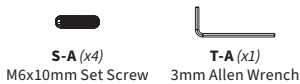
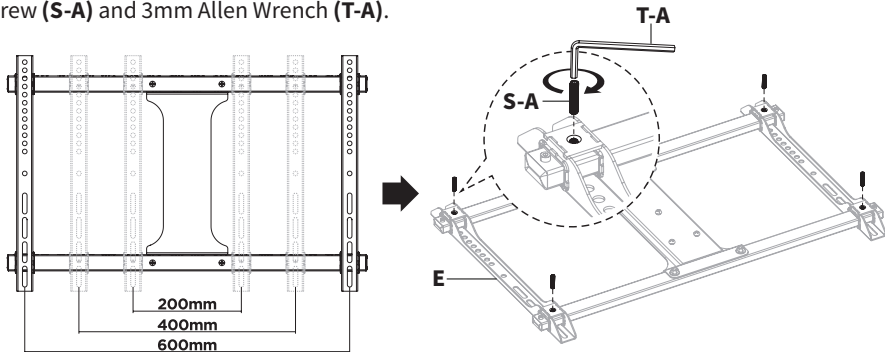
STEP 3: Assembling VESA Components

Assemble Bracket Rails (**F**) to Center Plate (**B**) using M6x25mm Screws (**S-B**), M6 Washers (**S-C**) and M6 Nuts (**S-D**). While holding M6 Nuts (**S-D**) with a wrench, use a Phillips screwdriver to tighten M6x25mm Screws (**S-B**). Slide VESA Brackets (**E**) onto Bracket Rails (**F**) and secure using M4x8mm Screws (**S-E**) and 3mm Allen Wrench (**T-A**).



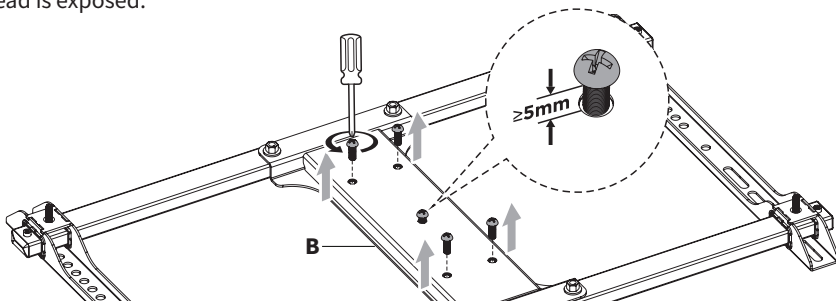
STEP 4: Adjusting VESA Assembly

Adjust VESA Brackets (**E**) spacing to match TV mounting holes, and lock in place using M6x10mm Set Screw (**S-A**) and 3mm Allen Wrench (**T-A**).



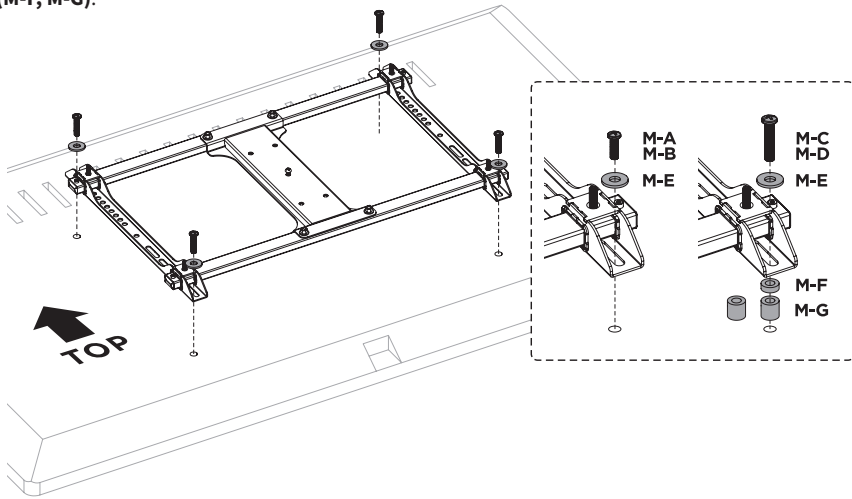
STEP 5: Removing VESA Screws

Remove the four pre-installed screws from Center Plate (**B**) and loosen the center screw until 5mm of thread is exposed.



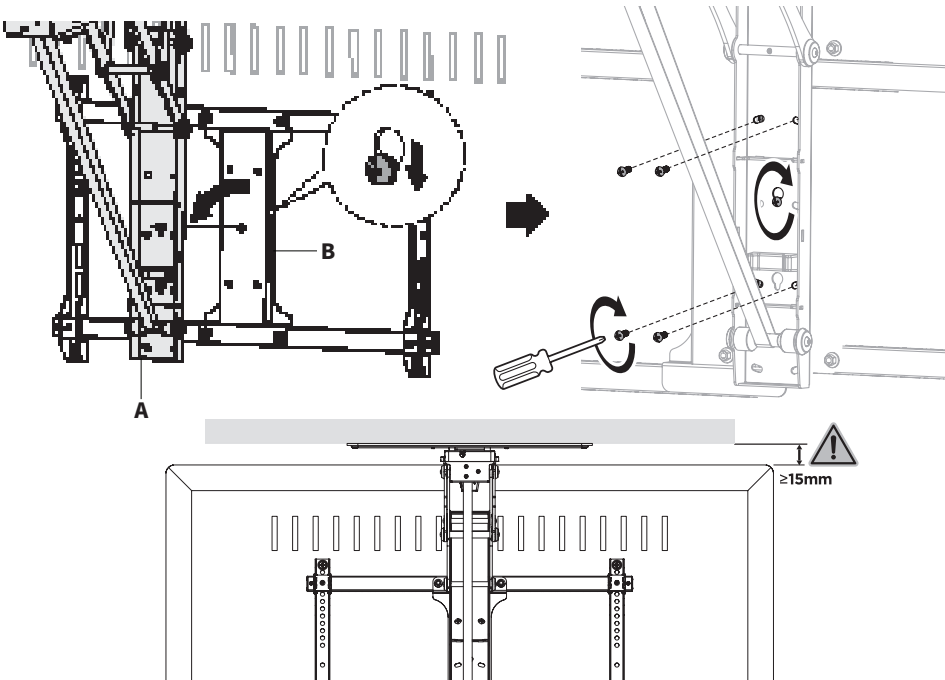
STEP 6: Mounting VESA Assembly

Attach VESA assembly to TV using appropriate mounting Screws (**M-A through M-D**), M8 Washers (**M-E**), and Spacers (**M-F, M-G**).



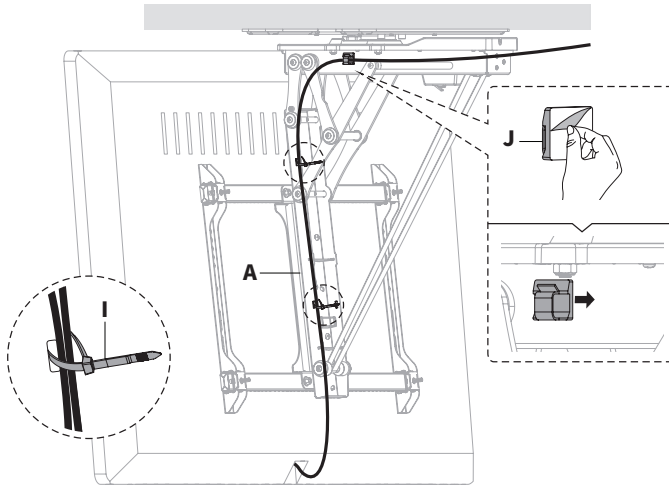
STEP 7: Place TV on Mount

Place the TV with VESA bracket assembly on Mount (**A**) by inserting the center screw on Center Plate (**B**) into the keyhole on Mount (**A**) at the desired height. Secure using previously removed screws (STEP 5) and tighten with a Phillips screwdriver. Clearance between the ceiling and top edge of TV should be no less than 15mm when TV is in the fully lowered position.



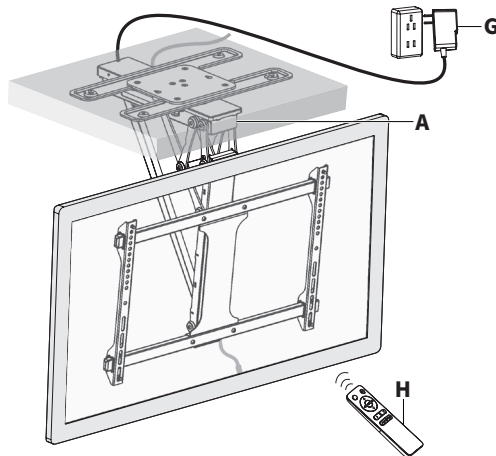
STEP 8: Manage Cables

Remove the adhesive backing from Cable Clips (**J**) and place them on the side of Mount (**A**). Route Cables through Cable Clips (**J**) and use Cable Ties (**I**) to fasten cables to the side of the arm.



STEP 9: Connect AC Adapter

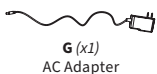
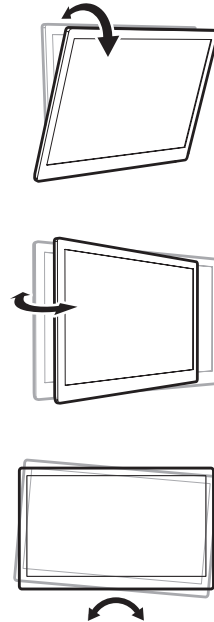
Plug AC Adapter (**G**) into Mount (**A**), and connect to AC outlet. Follow Remote (**H**) instructions for operation.



WARNING:
Do not operate or power the mount before the TV has been fully mounted and installed.



WARNING:
Do not swivel the mount using hands.



CHECK OUT OTHER GREAT PRODUCTS FROM



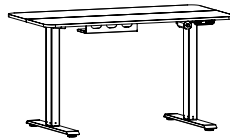
EXPLORE MORE AT VIVO-US.COM

We offer a wide array of home & office products to fit your needs. From height adjustable desks to monitor mounts to keyboard trays and more!



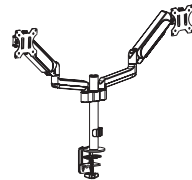
SPEAKER MOUNTS & STANDS

Whether you're mounting a soundbar or surround sound system, we've got a mounting solution to fit your needs



HEIGHT ADJUSTABLE DESKS

We offer electric & manual crank standing desks, corner frames, desk & top combos, and more!



MONITOR MOUNTS

From single monitor mounts to hex mount, grommet or clamp-ons, we've got a mounting solution for your setup.



WHO WE ARE



VIVO is more than a brand of ergonomic office furniture. We are a team of creative and innovative individuals working together to offer high quality, affordable ergonomic solutions. We think and work outside of the box to serve you, our customer, to the best of our ability.



Need Assistance?

We Would Love to Help!



Personable Customer Support | **Mon-Fri 7am-7pm**

We offer immediate assistance with rapid response times from customer service agents and product technicians to help you every step of the way!



Call Us: **309-278-5303**

Average Resolution Time: **5m 4s**



Chat Us: **www.vivo-us.com**

Average Resolution Time: **< 15m**



Email Us: **help@vivo-us.com**

Average Resolution Time: **1HR 8M**

23% within < 15m

38% within < 30m

61% within < 1hr

83% within < 2hr

92% within < 3hr



LOVE YOUR NEW VIVO SETUP?

Ready to share that new amazing setup? Want to brag about that amazing new ergonomic solution?

Tag us in your photo!



VIVO-us @vivo_us

FOR MORE GREAT VIVO PRODUCTS,
CHECK OUT OUR WEBSITE AT: WWW.VIVO-US.COM