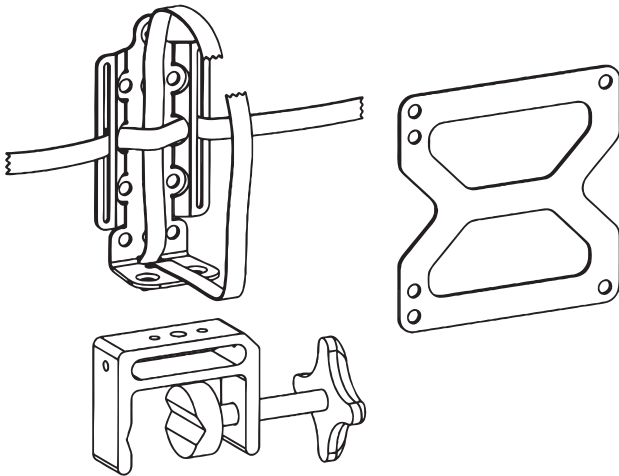




Universal Docking Station Mount

Instruction Manual



SKU: MOUNT-DS01



Scan the QR code with your mobile device or follow the link for helpful videos and specifications related to this product.

<https://vivo-us.com/products/mount-ds01>

GET IN TOUCH | Monday-Friday from 7:00am-7:00pm CST



help@vivo-us.com



www.vivo-us.com
Chat live with an agent!



309-278-5303

⚠ WARNING!

If you do not understand these directions, or if you have any doubts about the safety of the installation, please call a qualified technician. Check carefully to make sure there are no missing or defective parts. Improper installation may cause damage or serious injury. Do not use this product for any purpose that is not explicitly specified in this manual. Do not exceed weight capacity. We cannot be liable for damage or injury caused by improper mounting, incorrect assembly or inappropriate use.

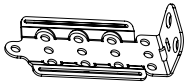
⚠ WARNING: CHOKING HAZARD

SMALL PARTS - NOT FOR CHILDREN UNDER 3 YEARS. ADULT SUPERVISION IS REQUIRED.

PACKAGE CONTENTS



A (x1)
VESA Adapter



B (x1)
Mounting Bracket



C (x2)
Velcro Strap



D (x1)
Clamp



S-A (x2)
M6x5mm
Screw



S-B (x2)
0.25" x 0.5"
Screw



M-A (x4)
M4x10mm
Screw



M-B (x4)
ST5x14mm
Screw

TOOLS NEEDED



Phillips
Screwdriver

NOTE: SOME HARDWARE INCLUDED MAY NOT BE USED

DO NOT EXCEED WEIGHT CAPACITY.

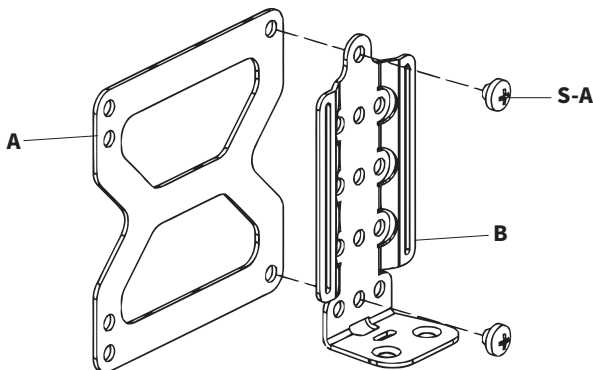
Failure to do so may result in serious injury.

17.6lbs
(8kg)

ASSEMBLY OPTION A | VESA Mounting

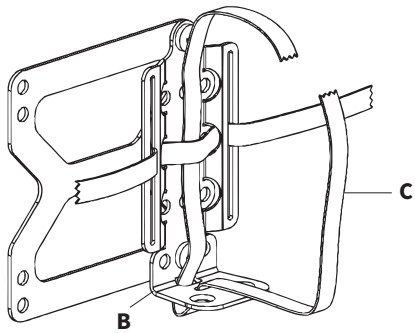
STEP 1

Connect Mounting Bracket (**B**) to VESA Adapter (**A**) using M6x5mm Screw (**S-A**) and a Phillips screwdriver.



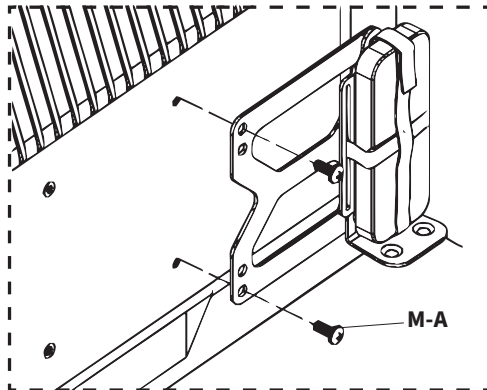
STEP 2

Slide Velcro Straps (**C**) through the bottom and side slots on Mounting Bracket (**B**), as shown.

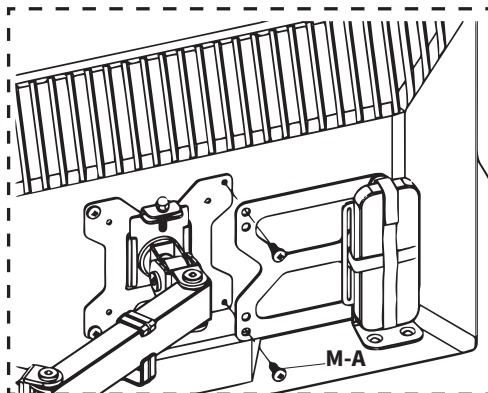


STEP 3

Mount assembly to VESA holes on monitor or over VESA plate using M4x10mm Screws (**M-A**) using a Phillips screwdriver.



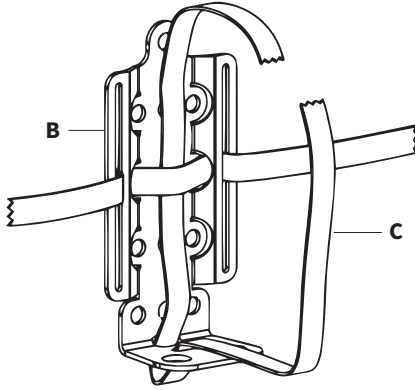
OR



ASSEMBLY OPTION B | Under Desk Mounting

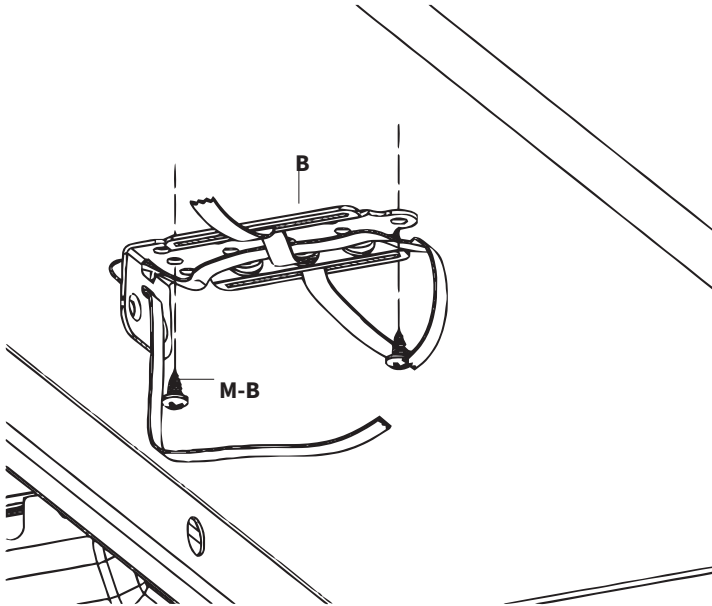
STEP 1

Slide Velcro Straps (**C**) through the bottom and side slots on Mounting Bracket (**B**), as shown.



STEP 2

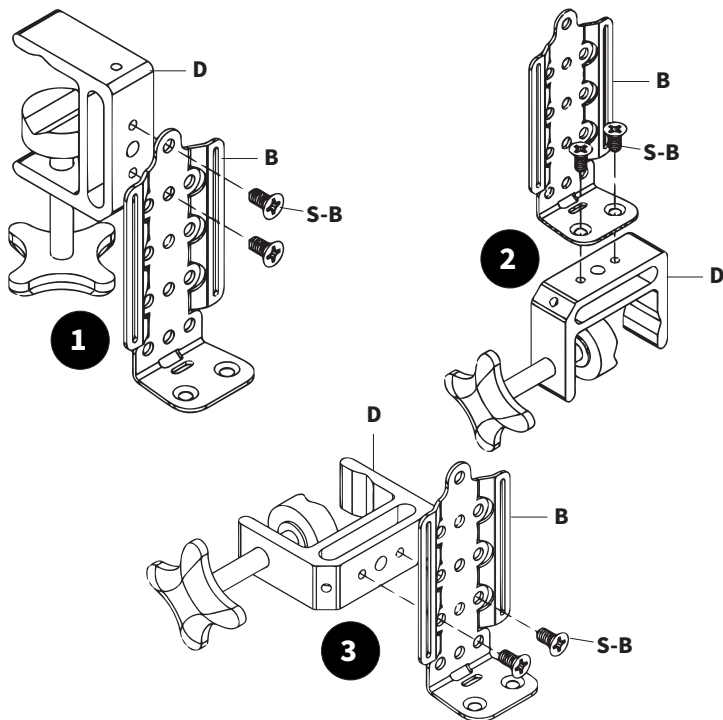
Mark and drill pilot holes using a 3/32" (2.5mm) bit, drilling 3/8" (10mm) deep. Install Mounting Bracket (**B**) to underside of desktop using ST5x14mm Screws (**M-B**) and a Phillips screwdriver.



ASSEMBLY OPTION C | Clamp Mounting

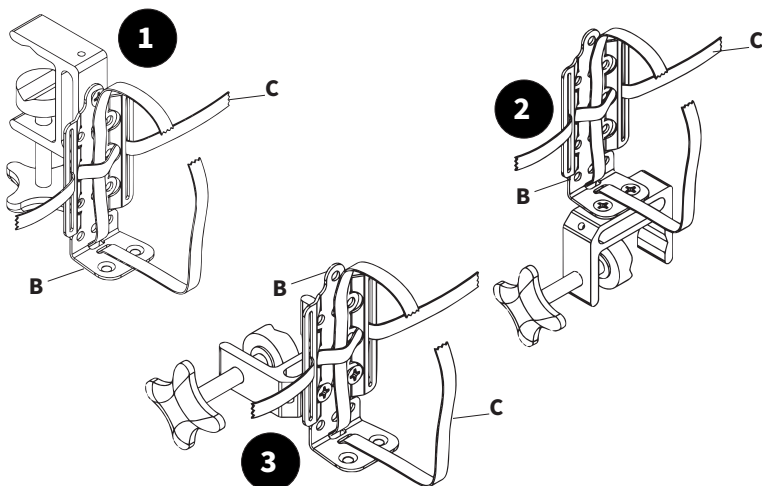
STEP 1

Choose one of the orientations below and attach Mounting Bracket (**B**) to Clamp (**D**) using 0.25" x 0.5" Screws (**S-B**) and a Phillips screwdriver.



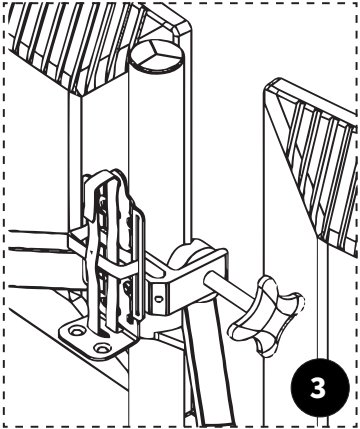
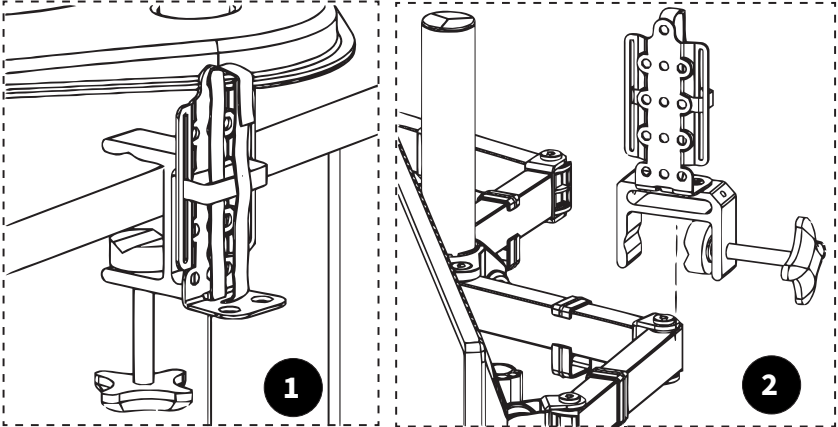
STEP 2

Slide Velcro Straps (**C**) through the bottom and side slots on Mounting Bracket (**B**), as shown.




STEP 3

Secure Clamp (D) to desired location.



THIS PAGE INTENTIONALLY LEFT BLANK

 Love your new VIVO setup and want to share?
Tag us in your photo! **@vivo_us**

LAST UPDATED: 07/25/2022
REV1.1



Open **Monday - Friday 7:00am - 7:00pm** CST,
our dedicated support team can offer immediate assistance with rapid response times. If any parts are received damaged or defective, please contact us. We are happy to replace parts to ensure you have a fully functioning product.



309-278-5303

AVG. RESOLUTION TIME (*within office hrs*): **5M 4S**



www.vivo-us.com
Chat live with an agent!

AVG. RESOLUTION TIME (*within office hrs*): **< 15 M**



help@vivo-us.com

AVG. RESPONSE TIME (*within office hrs*): **1HR 8M**

- 23% within < 15m
- 38% within < 30m
- 61% within < 1hr
- 83% within < 2hr
- 92% within < 3hr

FOR MORE VIVO PRODUCTS, CHECK OUT OUR WEBSITE AT: www.vivo-us.com