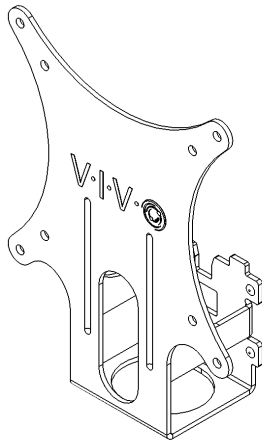




VESA Adapter for Compatible Dell Monitors

Instruction Manual



SKU: MOUNT-DLSSE2



Scan the QR code with your mobile device or follow the link for helpful videos and specifications related to this product.

<https://vivo-us.com/products/mount-dlse2>

GET IN TOUCH | Monday-Friday from 7:00am-7:00pm CST



help@vivo-us.com



www.vivo-us.com
Chat live with an agent!



309-278-5303

WARNING!

If you do not understand these directions, or if you have any doubts about the safety of the installation, please call a qualified technician. Check carefully to make sure there are no missing or defective parts. Improper installation may cause damage or serious injury. Do not use this product for any purpose that is not explicitly specified in this manual. Do not exceed weight capacity. We cannot be liable for damage or injury caused by improper mounting, incorrect assembly or inappropriate use.

WARNING: CHOKING HAZARD

SMALL PARTS - NOT FOR CHILDREN UNDER 3 YEARS. ADULT SUPERVISION IS REQUIRED.

PACKAGE CONTENTS



A (x1)
VESA Adapter



B (x4)
M4x12 Thumbscrew



C (x4)
Washer



D (x2)
M4x20 Screw



E (x2)
M5 Soft Cap

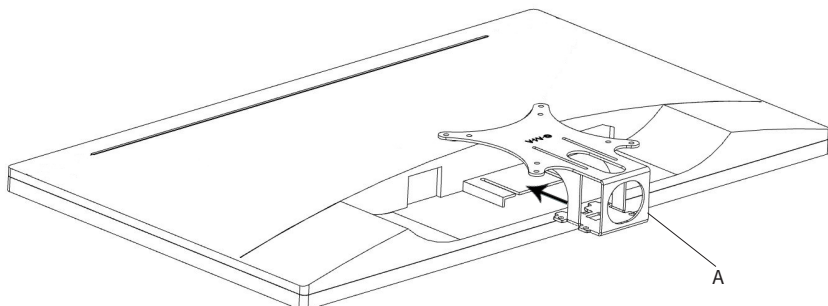
TOOLS NEEDED



ASSEMBLY STEPS

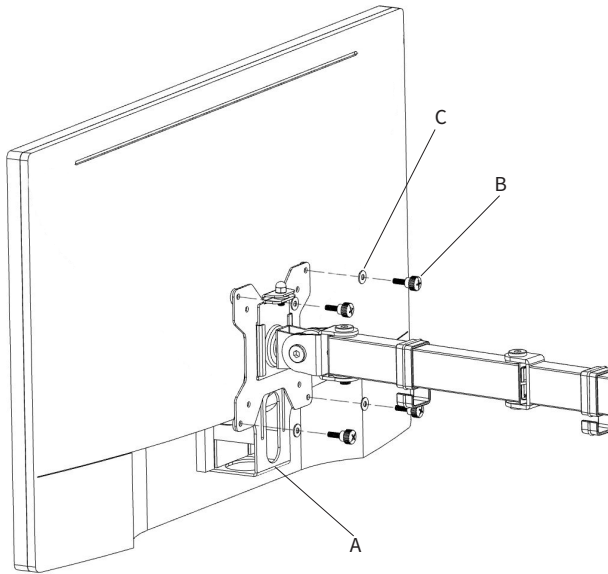
STEP 1

With the original base removed, install the VESA Adapter (**A**) to the monitor. You will hear a “click” when the adapter is locked in place.



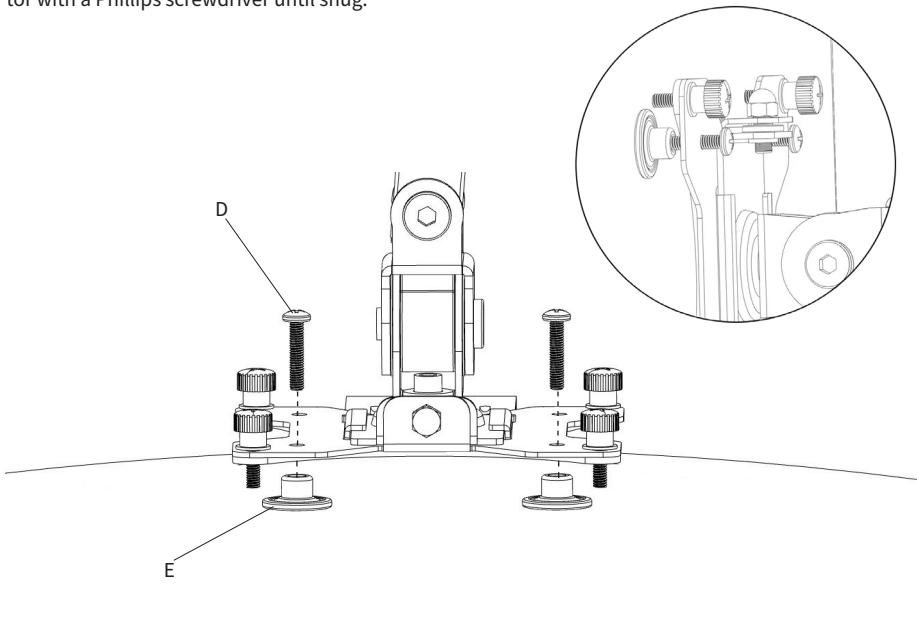
STEP 2

Mount the VESA Adapter (**A**) with monitor to your VESA mount using M4x12mm Thumbscrews (**B**) and Washers (**C**). Do not overtighten; the Thumbscrews (**B**) only need to be finger-tight.



STEP 3

Insert M4x20 Screws (**D**) partially into the unused upper holes, then place the M5 Soft Caps (**E**) on the ends of the screws. Tighten the M4x20 Screws (**D**) with M5 Soft Caps (**E**) against the back of the monitor with a Phillips screwdriver until snug.





Love your new VIVO setup and want to share?
Tag us in your photo! **@vivo_us**

LAST UPDATED: 05/13/2021
REV1



Open **Monday - Friday 7:00am - 7:00pm** CST,
our dedicated support team can offer immediate assistance with rapid response times. If any parts are received damaged or defective, please contact us. We are happy to replace parts to ensure you have a fully functioning product.



309-278-5303

AVG. RESOLUTION TIME (*within office hrs*): **5M 4S**



www.vivo-us.com
Chat live with an agent!

AVG. RESOLUTION TIME (*within office hrs*): **< 15 M**



help@vivo-us.com

AVG. RESPONSE TIME (*within office hrs*): **1HR 8M**

- 23% within < 15m
- 38% within < 30m
- 61% within < 1hr
- 83% within < 2hr
- 92% within < 3hr

FOR MORE VIVO PRODUCTS, CHECK OUT OUR WEBSITE AT: www.vivo-us.com