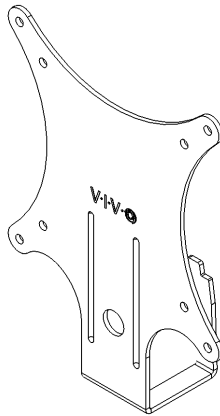


VESA Adapter for Compatible Dell Monitors

Instruction Manual



SKU: MOUNT-DLS024



Scan the QR code with your mobile device or follow the link for helpful videos and specifications related to this product.

<https://vivo-us.com/products/mount-dls024>

GET IN TOUCH | Monday-Friday from 7:00am-7:00pm CST



help@vivo-us.com



www.vivo-us.com
Chat live with an agent!



309-278-5303

WARNING!

If you do not understand these directions, or if you have any doubts about the safety of the installation, please call a qualified technician. Check carefully to make sure there are no missing or defective parts. Improper installation may cause damage or serious injury. Do not use this product for any purpose that is not explicitly specified in this manual. Do not exceed weight capacity. We cannot be liable for damage or injury caused by improper mounting, incorrect assembly or inappropriate use.

WARNING: CHOKING HAZARD

SMALL PARTS - NOT FOR CHILDREN UNDER 3 YEARS. ADULT SUPERVISION IS REQUIRED.

PACKAGE CONTENTS



A (x1)
VESA Adapter



B (x4)
M4x10mm
Thumbscrew



C (x8)
M4x1.5mm THK
Washer



D (x2)
M4x20mm
Screw



E (x2)
Soft Pad

TOOLS NEEDED

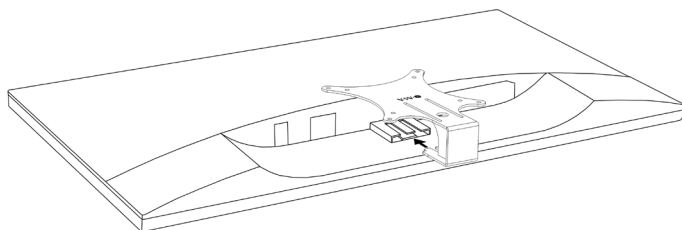


**Phillips
Screwdriver**

ASSEMBLY STEPS

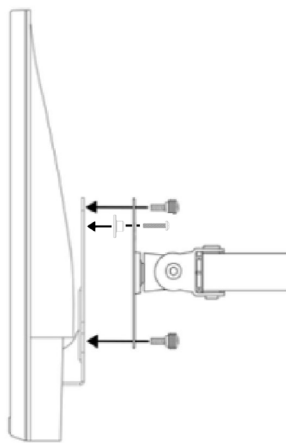
STEP 1

With the original base removed, install the VESA adapter (**A**) to the monitor. You will hear a “click” when the adapter is locked in place.



STEP 2

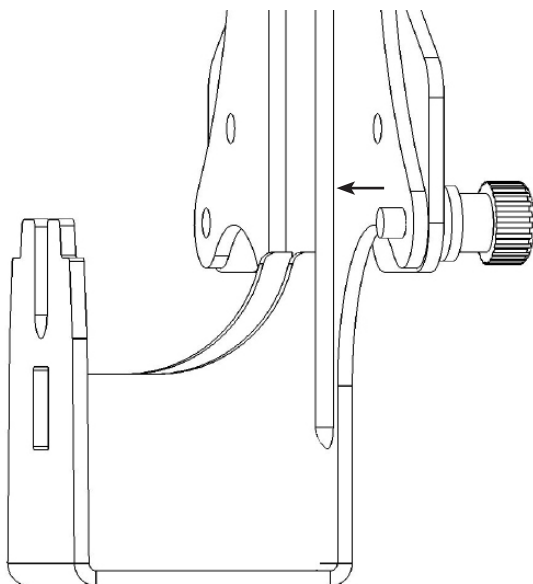
Mount the VESA adapter **(A)** with attached monitor to your VESA mount using M4x10mm thumbscrews **(B)** and M4 washers **(C)**, making sure to use two washers with each screw. Insert two M4x20mm screws **(D)** partially into the unused upper holes, then place the soft pads **(E)** on the ends of the screws. Tighten the screws with pads against the back of the monitor with a Phillips screwdriver until snug.



NOTE: Once the thumbscrews are finger-tight, it is recommended (but not necessary) to tighten slightly more with a Phillips screwdriver.

⚠ IMPORTANT!

Depending on the thickness of your monitor mount's VESA plate, it may be necessary to remove M4 washers **(C)** in order for the M4x10mm thumbscrews **(B)** to fully engage the threads in VESA adapter **(A)**. Very thick VESA plates may require no washers. The best way to determine this is to check that the M4x10mm thumbscrew **(B)** is protruding out the back of VESA adapter **(A)**, as shown in figure below. Be sure to also check that removing M4 washers **(C)** does not allow the M4x10mm thumbscrew **(B)** to contact the back of your monitor. If you experience difficulties, please contact customer support.





Open **Monday - Friday 7:00am - 7:00pm** CST,
our dedicated support team can offer immediate assistance with rapid response times. If any parts are received damaged or defective, please contact us. We are happy to replace parts to ensure you have a fully functioning product.


 help@vivo-us.com

AVG. RESPONSE TIME (*within office hrs*): **1HR 8M**

- 23% within < 15m
- 38% within < 30m
- 61% within < 1hr
- 83% within < 2hr
- 92% within < 3hr

 www.vivo-us.com
Chat live with an agent!

AVG. RESOLUTION TIME (*within office hrs*): **< 15 M**

 309-278-5303

AVG. RESOLUTION TIME (*within office hrs*): **5M 4S**