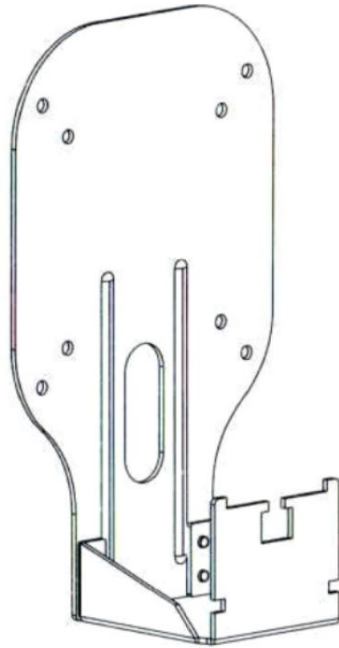




Installation Instruction

MOUNT-DL01



UNPACKING INSTRUCTIONS

Carefully open the carton, remove contents and lay out on cardboard or other protective surface.

Check package contents against the supplied parts list on the next page to ensure all components were received undamaged. Do not use damaged or defective parts.

Carefully read all instructions before attempting installation.

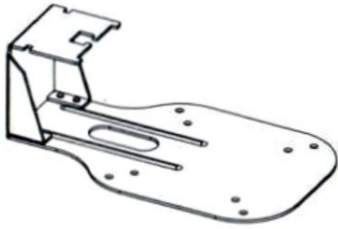
IMPORTANT SAFETY INFORMATION

Install and operate this device with care. Please use proper safety equipment during installation and carefully follow the enclosed instructions.

Please call a qualified installation contractor for help if you do not understand these directions or have any doubts about the safety of the installation.

Do not use this product for any purpose or in any configuration not explicitly described in this manual. We hereby disclaim any and all liability for injury or damage caused from improper assembly, improper mounting, or improper use of this product.

Supplied Parts List

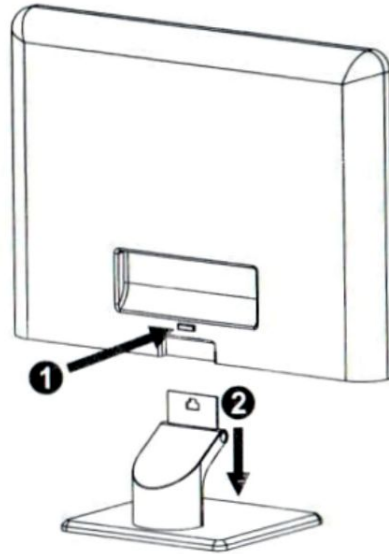


(1) Adaptor Bracket-a



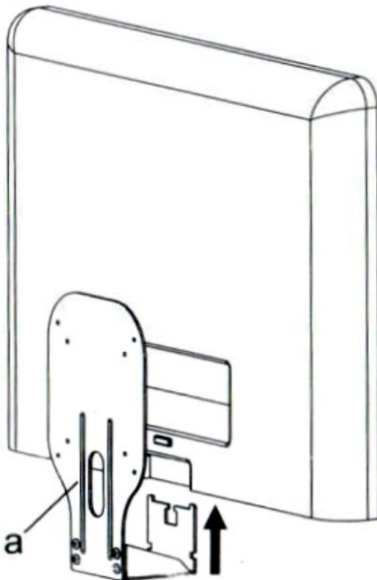
(4) M4x12 Thumb Bolt-b

Step 1 Remove Monitor Base



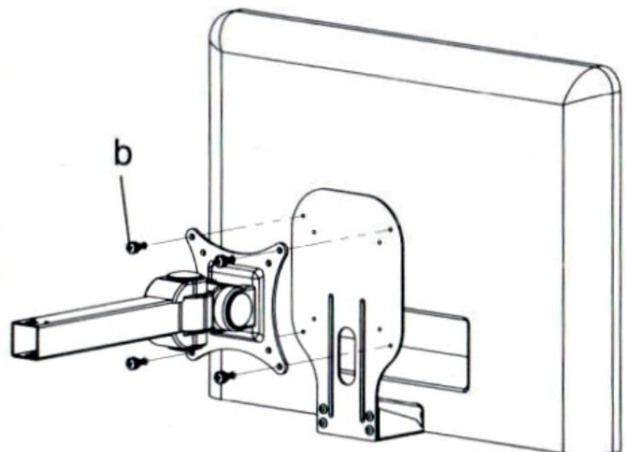
Press and hold the release bottom above the base on the back of monitor. Then pull the base away from the monitor.

Step 2 Attach Adaptor Bracket to Monitor



Align the Adaptor Bracket(a) to the monitor groove. Insert bracket into the monitor until it locks in place.

Step 3 Connect the Adaptor Bracket to VESA Plate



Connect the VESA plate to the Adaptor Bracket(a) using 4 pcs M4x12 Thumb bolts(b).