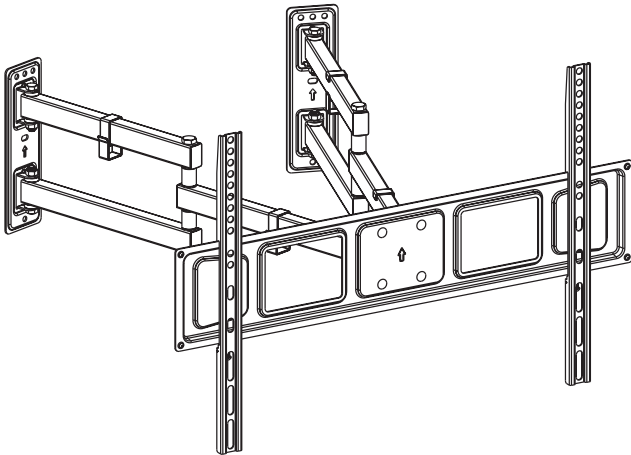




---

## Corner TV Wall Mount

### Instruction Manual



**SKU: MOUNT-CR70C**



Scan the QR code with your mobile device or follow the link for helpful videos and specifications related to this product.

<https://vivo-us.com/products/mount-cr70c>

---

**GET IN TOUCH** | Monday-Friday from 7:00am-7:00pm CST



help@vivo-us.com



www.vivo-us.com  
*Chat live with an agent!*



309-278-5303

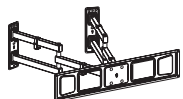
# **WARNING!**

If you do not understand these directions, or if you have any doubts about the safety of the installation, please call a qualified technician. Check carefully to make sure there are no missing or defective parts. Improper installation may cause damage or serious injury. Do not use this product for any purpose that is not explicitly specified in this manual. Do not exceed weight capacity. We cannot be liable for damage or injury caused by improper mounting, incorrect assembly or inappropriate use.

## **WARNING: CHOKING HAZARD**

SMALL PARTS - NOT FOR CHILDREN UNDER 3 YEARS. ADULT SUPERVISION IS REQUIRED.

## PACKAGE CONTENTS



**A** (x1)  
Mount



**B** (x2)  
VESA Bracket



**M-A** (x4)  
M6x14mm Screw



**M-B** (x4)  
M8x16mm Screw



**M-C** (x4)  
M6x30mm Screw



**M-D** (x4)  
M8x35mm Screw



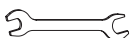
**M-E** (x4)  
M8 Washer



**M-F** (x4)  
5mm Spacer



**M-G** (x4)  
15mm Spacer



**T-A** (x1)  
Wrench



**W-A** (x8)  
ST6.3x55 Screw



**W-B** (x8)  
Concrete Anchor



**W-C** (x8)  
Washer

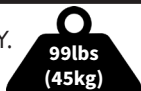
**NOTE:** NOT ALL HARDWARE INCLUDED WILL BE USED

## **CAUTION!**

DO NOT INSTALL INTO DRYWALL ALONE. VERIFY YOUR WALL CONSTRUCTION. USE WOOD STUDS TO MOUNT. We include mounting for brick and concrete walls. If unsure, please contact us at vivo-us.com, email at help@vivo-us.com, or call us at 309-278-5303.

DO NOT EXCEED WEIGHT CAPACITY.

Failure to do so may result in serious injury.



## TOOLS NEEDED



**Drill**



**Phillips  
Screwdriver**



**Level**



**Pencil**



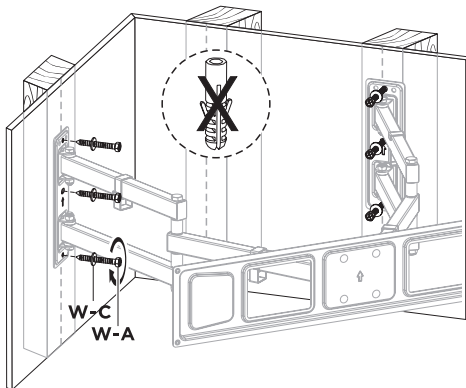
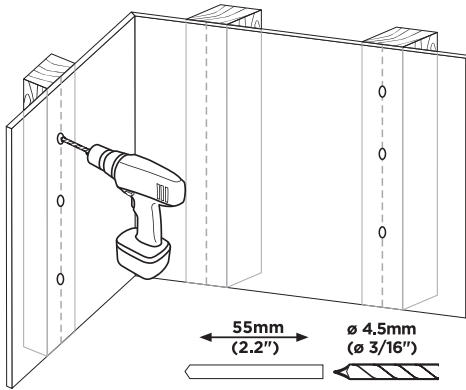
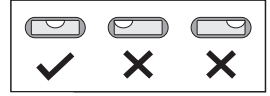
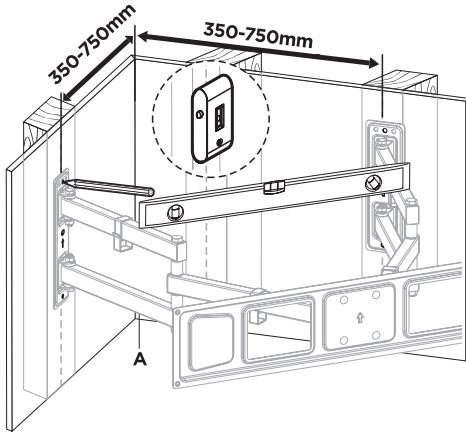
**Stud Finder**

# ASSEMBLY STEPS

## STEP 1

### OPTION A: Wood Stud Wall Installation

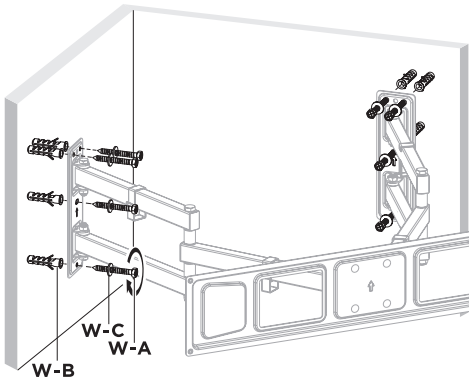
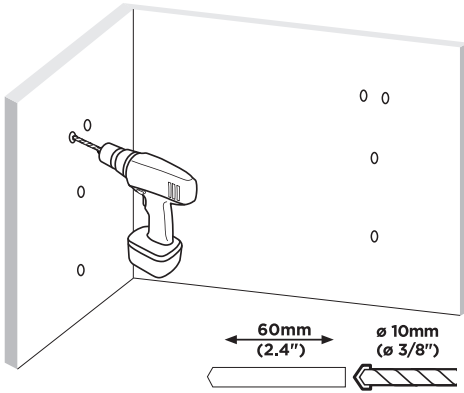
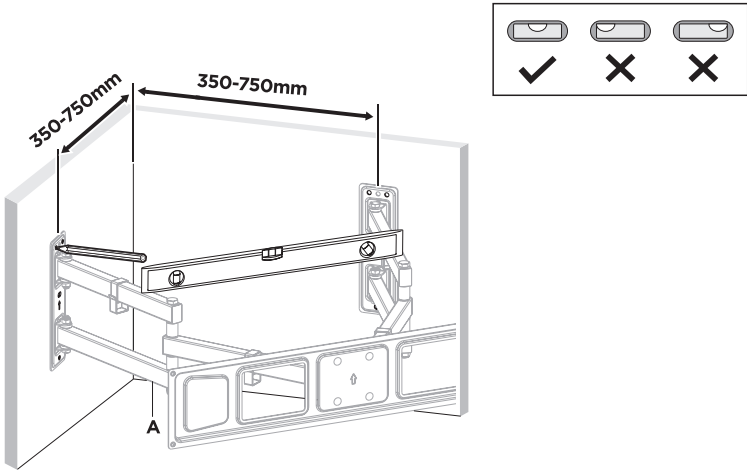
Use Mount (A) to mark mounting holes on the wall where studs are located. Use of a stud finder and a level is highly recommended. Using a 3/16" (4.5mm) drill bit, drill holes at least 2.2" (55mm) deep into marked locations. Attach mount to wall using ST6.3x55 Screws (W-A) with Washers (W-C).



# STEP 1 (Continued)

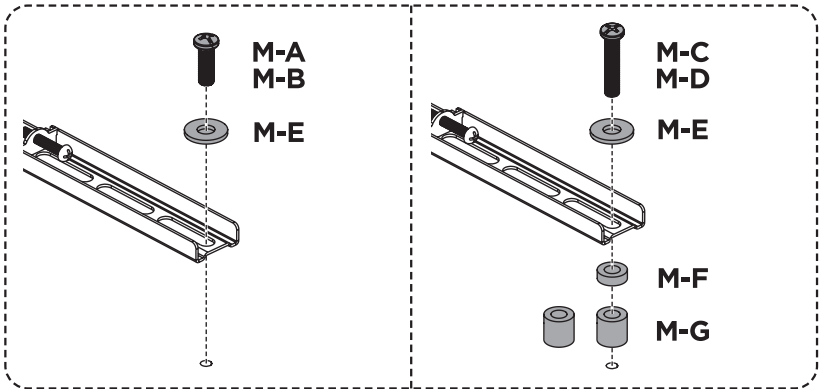
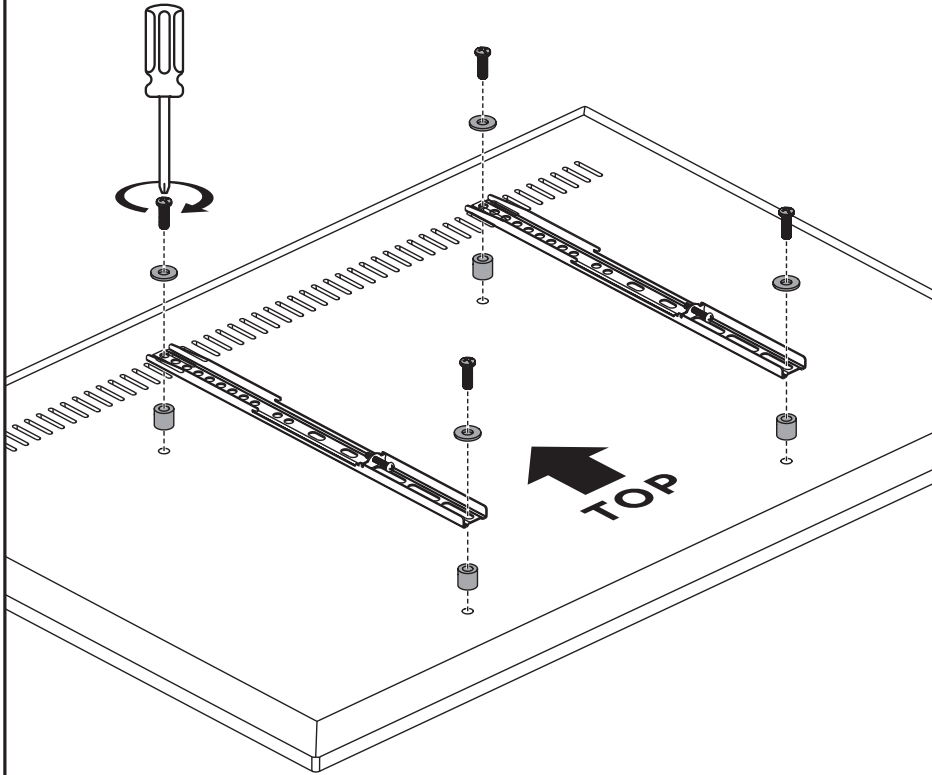
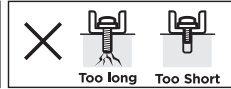
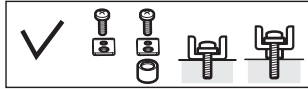
## OPTION B: Concrete/Brick Wall Installation

Use Mount **(A)** to mark mounting holes on the wall. Using a 3/8" (10mm) drill bit, drill holes at least 2.4" (60mm) deep into marked locations. Press Concrete Anchors **(W-B)** into holes, then attach Mount **(A)** to wall using ST6.3x55 Screws **(W-A)** with Washers **(W-C)**.



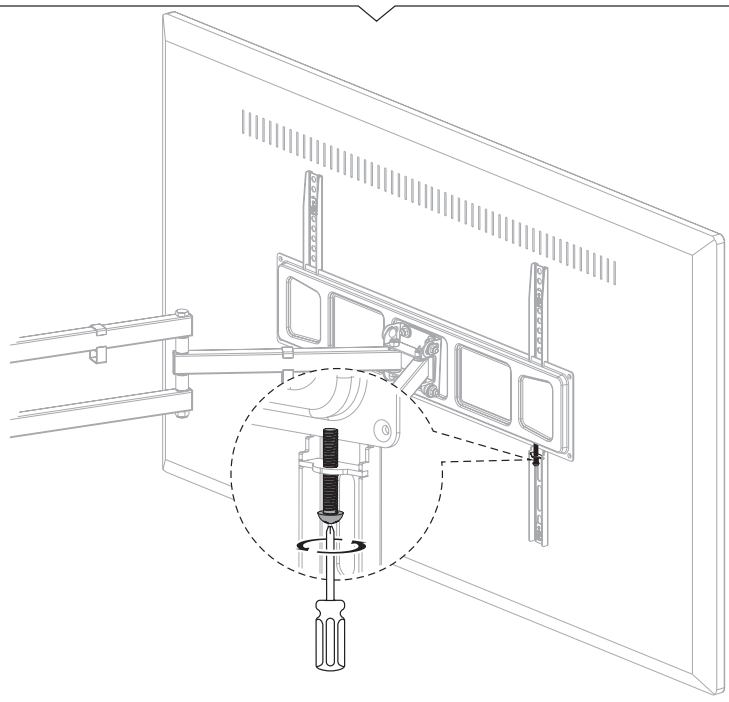
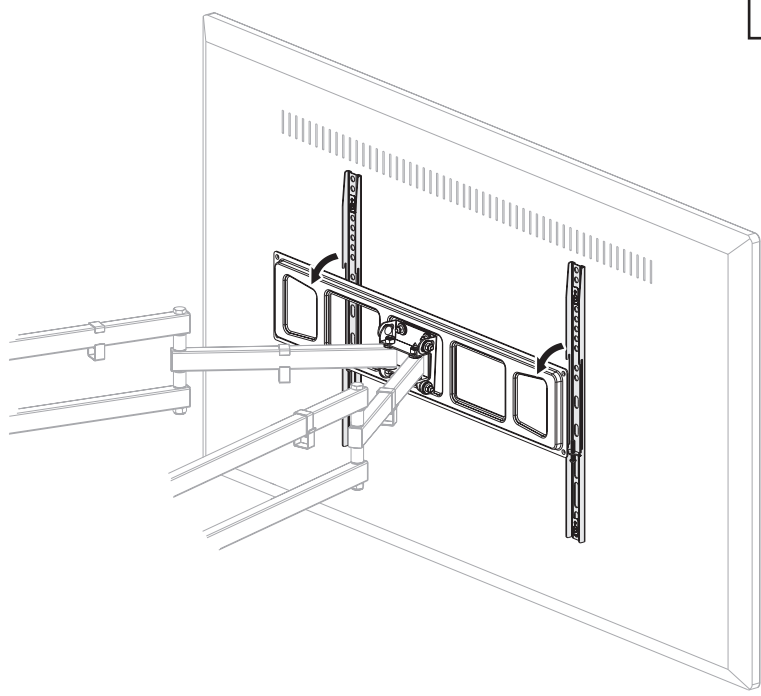
## STEP 2

With the TV face down on a flat surface, secure VESA Brackets (**B**) to the TV using Screws (**M-A through M-D**), M8 Washers (**M-E**) and Spacers (**M-F, M-G**).



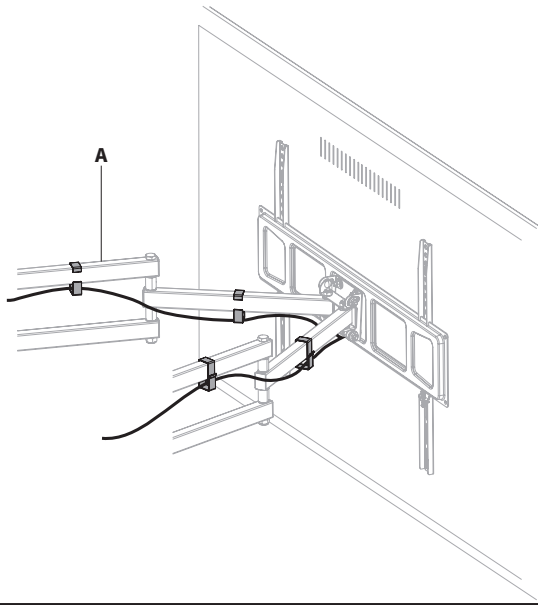
# STEP 3

Hang Vesa Brackets (B) onto Mount (A), and secure by tightening security screws on the underside of VESA Brackets (B) using a phillips screwdriver.



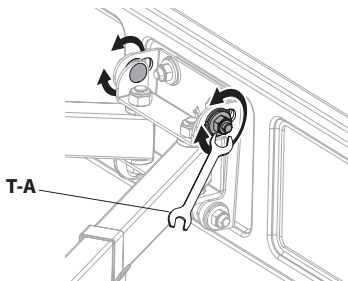
## STEP 4

Manage cables using cable clips located on Mount (A).

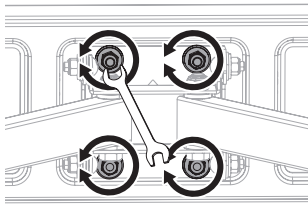
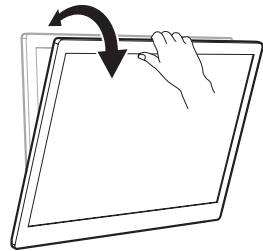


## STEP 5

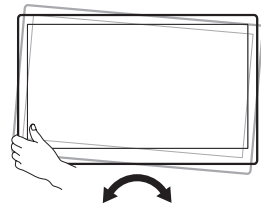
Use Wrench (T-A) to adjust the tilt and rotation to the desired positions.



**Note:** Adjust to the desired angle then tighten the screws using the tool as shown, alternating from each screw as you tighten them.



**Note:** Adjust the screws as shown to level the display.





Open **Monday - Friday 7:00am - 7:00pm** CST,  
our dedicated support team can offer immediate assistance with rapid response times. If any parts are received damaged or defective, please contact us. We are happy to replace parts to ensure you have a fully functioning product.



309-278-5303

**AVG. RESOLUTION TIME** (*within office hrs*): **5M 4S**



[www.vivo-us.com](http://www.vivo-us.com)  
*Chat live with an agent!*

**AVG. RESOLUTION TIME** (*within office hrs*): **< 15 M**



[help@vivo-us.com](mailto:help@vivo-us.com)

**AVG. RESPONSE TIME** (*within office hrs*): **1HR 8M**

- 23% within < 15m
- 38% within < 30m
- 61% within < 1hr
- 83% within < 2hr
- 92% within < 3hr