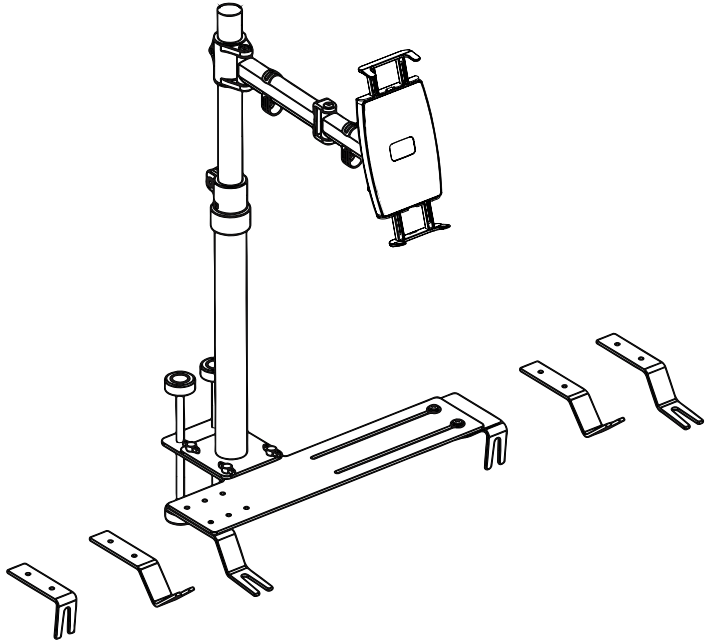




---

## Car Tablet Mount Instruction Manual



**SKU: MOUNT-CAR02**



Scan the QR code with your mobile device or follow the link for helpful videos and specifications related to this product.

**<https://vivo-us.com/products/mount-car02>**

---

GET IN TOUCH | Monday-Friday from 7:00am-7:00pm CST



help@vivo-us.com



www.vivo-us.com  
*Chat live with an agent!*



309-278-5303

# ⚠️ WARNING!

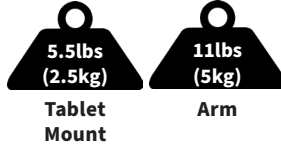
If you do not understand these directions, or if you have any doubts about the safety of the installation, please call a qualified technician. Check carefully to make sure there are no missing or defective parts. Improper installation may cause damage or serious injury. Do not use this product for any purpose that is not explicitly specified in this manual. Do not exceed weight capacity. We cannot be liable for damage or injury caused by improper mounting, incorrect assembly or inappropriate use.

## ⚠️ WARNING: CHOKING HAZARD

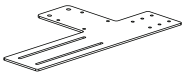
SMALL PARTS - NOT FOR CHILDREN UNDER 3 YEARS. ADULT SUPERVISION IS REQUIRED.

## ⚠️ DO NOT EXCEED WEIGHT CAPACITY.

Failure to do so may result in serious injury.



## PACKAGE CONTENTS



**A (x1)**  
Base



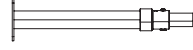
**B (x2)**  
0° Foot



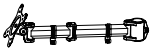
**C (x2)**  
90° Foot



**D (x2)**  
45° Foot



**E (x1)**  
Pole



**F (x1)**  
Arm



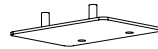
**G (x4)**  
Knob



**H (x2)**  
Cable Clips



**I (x2)**  
Support Screw



**J (x1)**  
Connecting  
Bracket



**J (x2)**  
Screw Cap



**K (x1)**  
Adapter



**S-A (x4)**  
M6x10mm  
Screw



**S-B (x8)**  
M6 Washer



**S-C (x2)**  
M6 Nut



**S-D (x1)**  
M6 Flanged Nut



**S-E (x1)**  
M6x45mm  
Screw



**S-F (x6)**  
M4x16 Thumbscrews



**S-G (x4)**  
M4 Washers



**T-A (x1)**  
5mm Allen  
Wrench



**T-B (x1)**  
Wrench

## TOOLS NEEDED

**NOTE: SOME HARDWARE MAY NOT BE USED**



**Phillips  
Screwdriver**

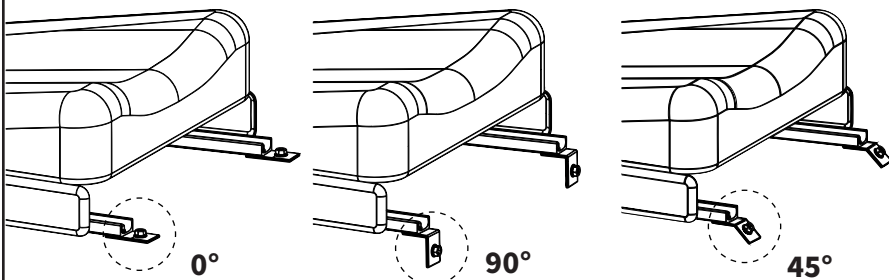


**Socket  
Wrench**

# ASSEMBLY STEPS

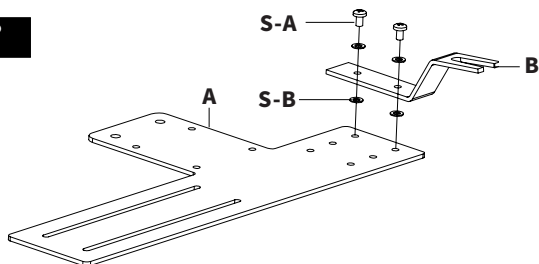
## STEP 1

Begin by identifying what foot style is needed for your passenger seat configuration, using the images below. Please note that the two front seat bolts of some vehicles will differ from each other in angle.

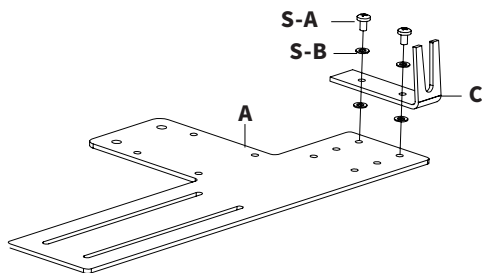


Attach the appropriate foot for the passenger seat's left bolt [ 0° Foot (B), 90° Foot (C), or 45° Foot (D) ] to the left underside of Base (A) using M6x10mm Screws (S-A), M6 Washers (S-B), and a Phillips screwdriver.

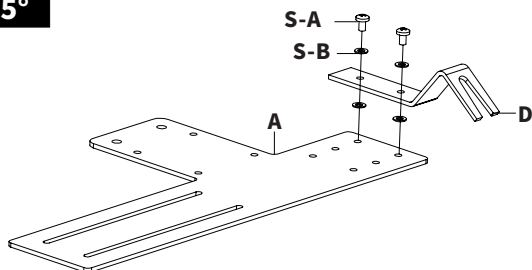
0°



90°

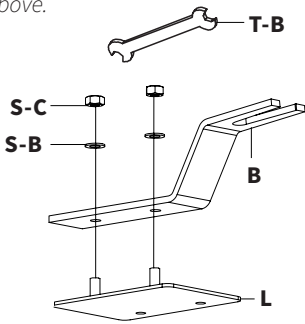


45°



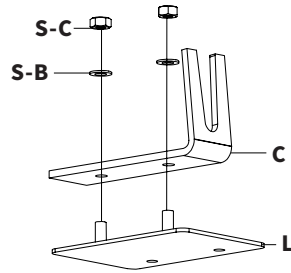
## STEP 1 - Continued

Install compatible Foot (**B, C, D**) for your passenger seat's left bolt to the threads on Connecting Bracket (**L**) using M6 Nuts (**S-C**), M6 Washers (**S-B**), and Wrench (**T-B**). *Please note, based on your passenger seat's floor bolts, you may need a different foot than what was used above.*

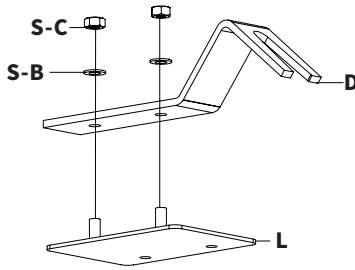


0°

OR



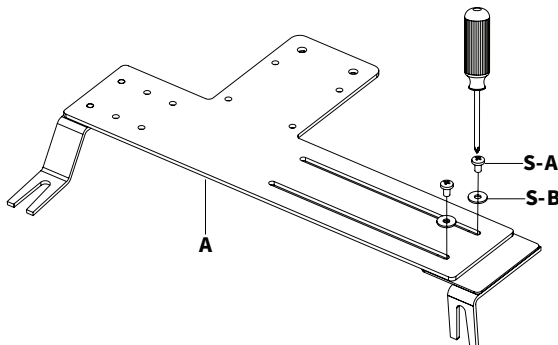
90°



45°

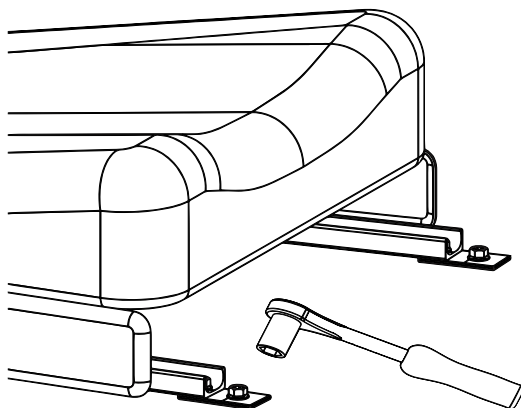
## STEP 2

Loosely assemble the right foot assembly to Base (**A**) using M6x10mm Screws (**S-A**), M6 Washers (**S-B**), and a Phillips screwdriver. Align the left foot with the left seat bolt on the passenger seat. Adjust the right foot to match up with the right bolt on the seat and tighten M6x10mm Screws (**S-A**).



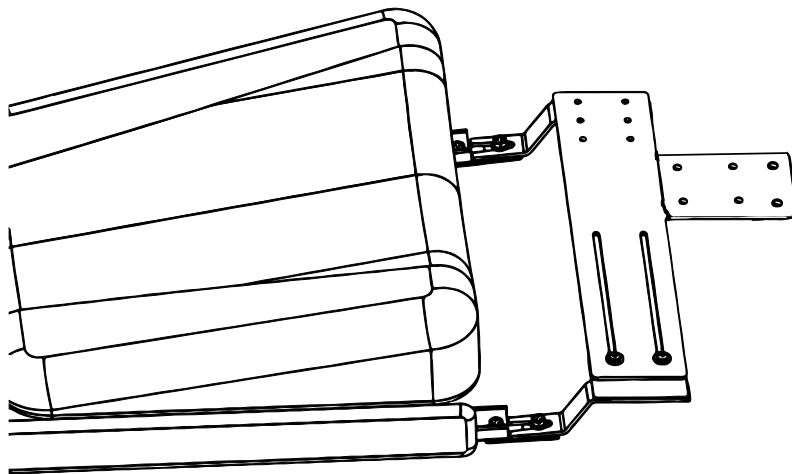
### STEP 3

Loosen the front seat bolts on passenger seat using a socket wrench (size needed depends on manufacturer).



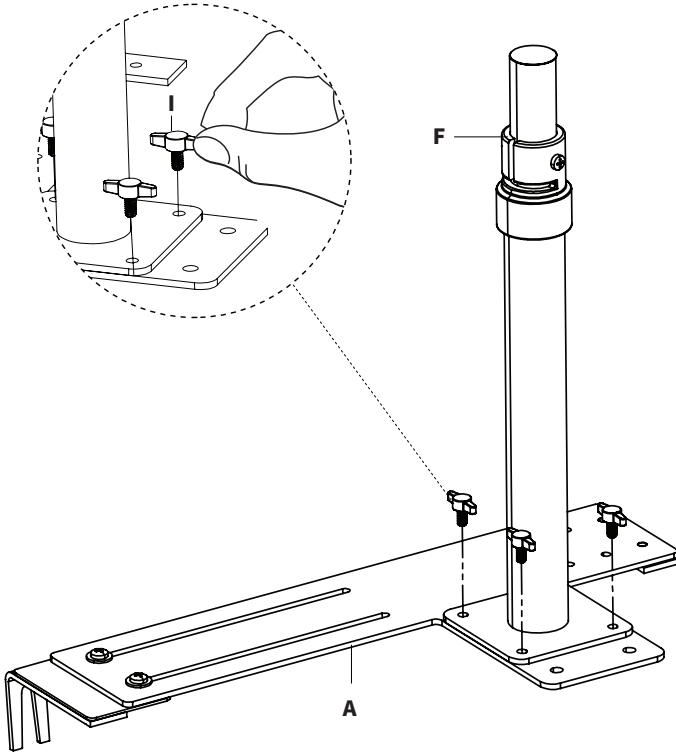
---

Slide the left foot under the left seat bolt and the right foot under the right seat bolt. Adjust the placement as needed and re-tighten bolts.



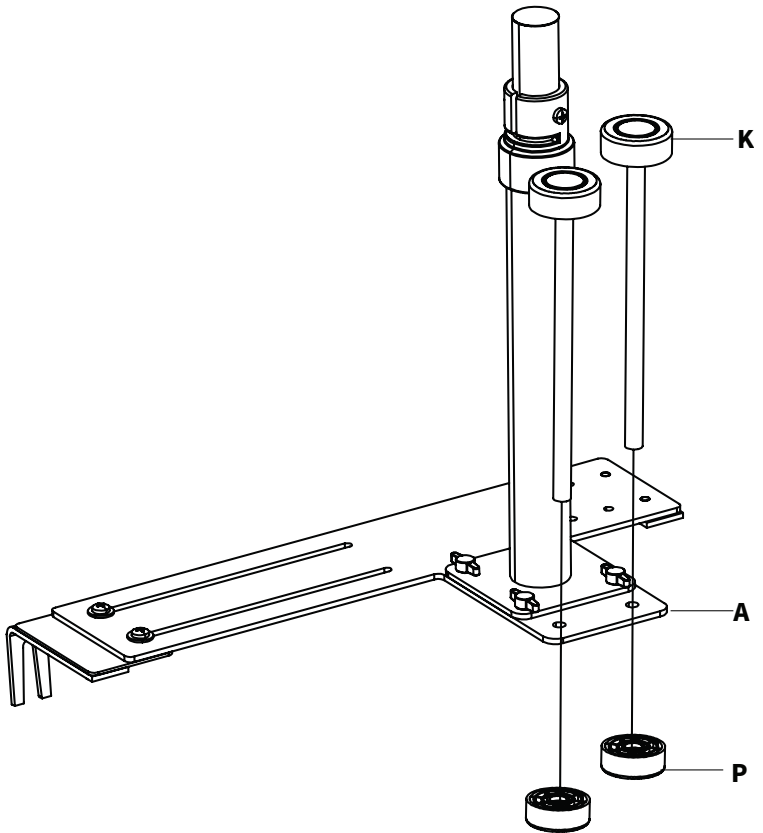
## STEP 4

Attach Pole (**F**) to back of Base (**A**) using Knobs (**I**).



## STEP 5

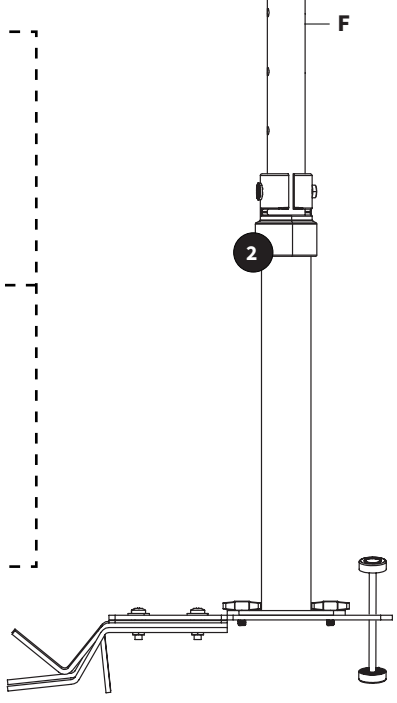
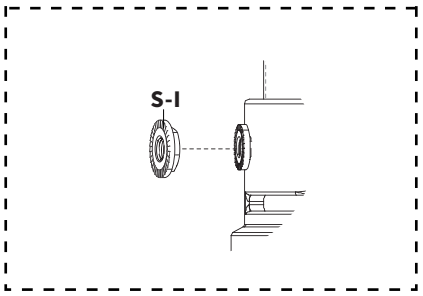
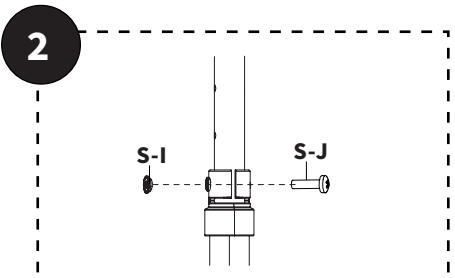
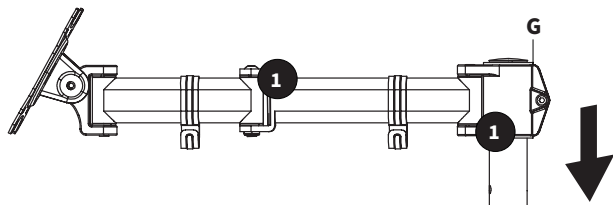
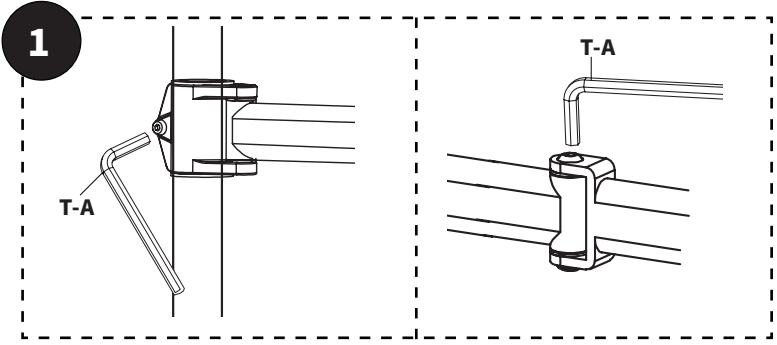
Thread Support Screws (**K**) onto Base (**A**) and place Screw Caps (**P**) onto the ends once threaded.



# STEP 6

1. Slide Arm (G) onto Pole (F) with the adjustment bolt pointing up. Tighten and secure with 5mm Allen Wrench (T-A). Adjust the arm tension using 5mm Allen Wrench.

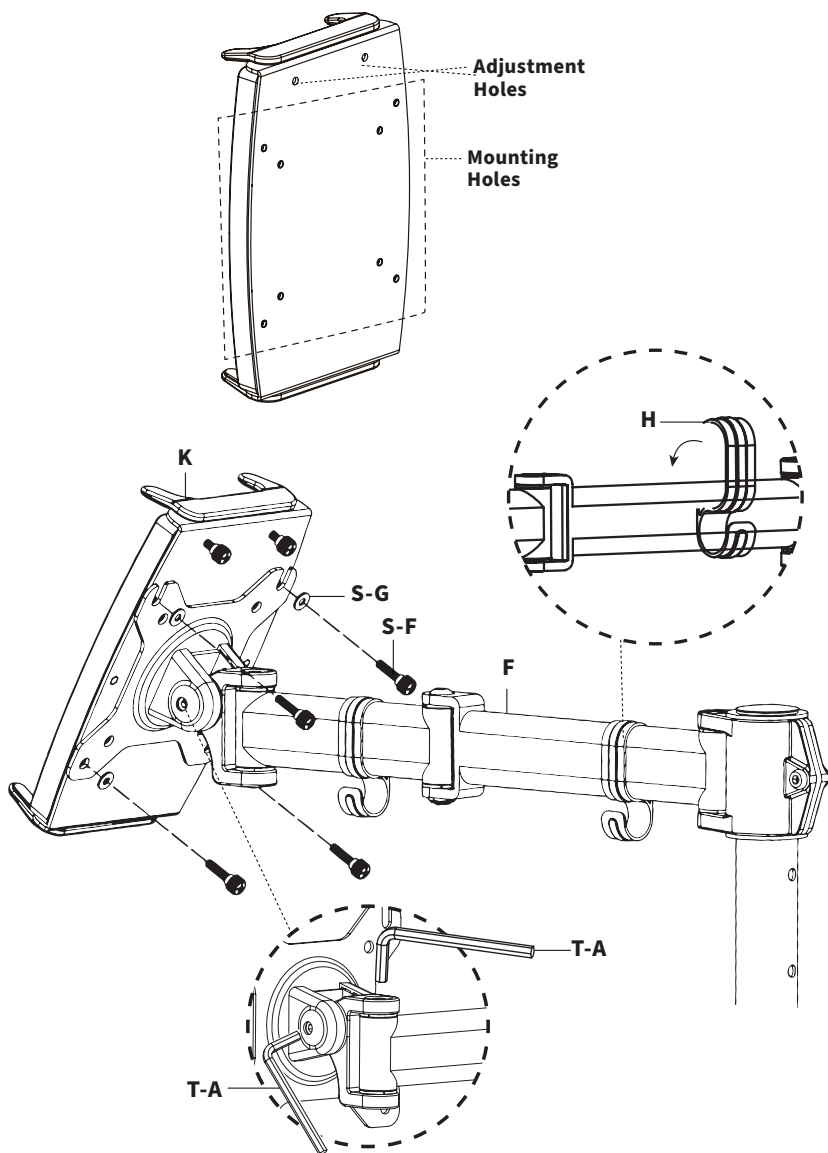
2. Determine desired Pole (F) height and Insert M6x45mm Screw (S-J) into slot. Secure using M6 Flanged Nut (S-I), making sure the flanged, wider part of the nut is facing outward, with the hex side fitting into the hex indentation on Pole (F).





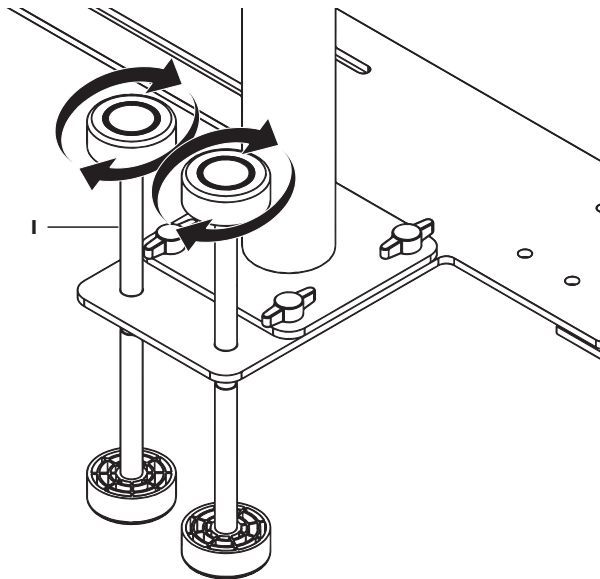
## STEP 7

Mount the Adapter (**K**) to the Arm (**F**) using the M4x16mm Thumbscrews (**S-F**) with M4 Washers (**S-G**) in mounting holes. Loosely install remaining M4x16mm Thumbscrews (**S-F**) into the top adjustment holes in Adapter. Place Cable Clips (**H**) on Arm (**F**) to manage cables.



## STEP 8

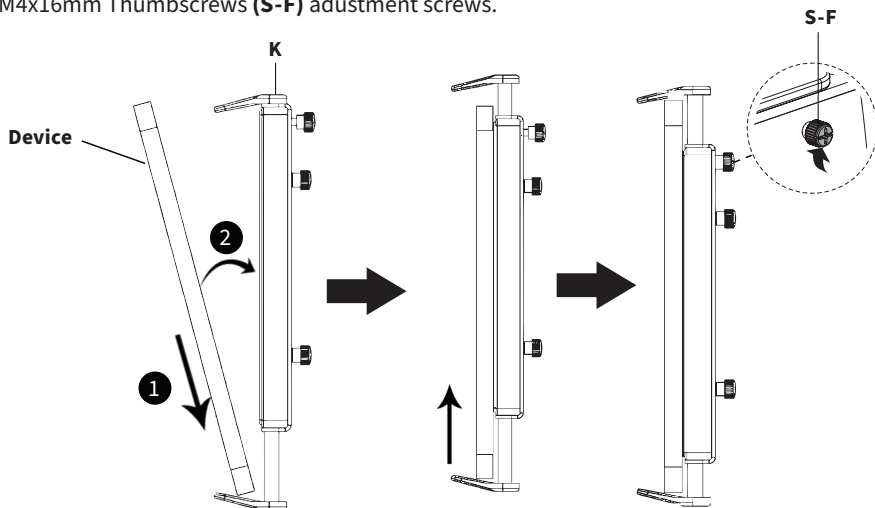
If assembled mount feels unlevel, tighten Support Screws **(I)** to level out.



## STEP 8

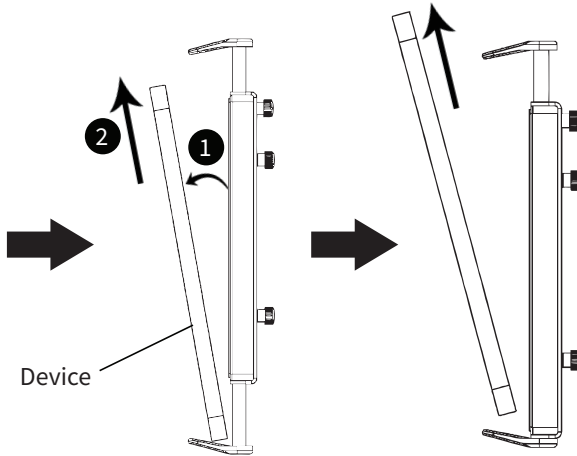
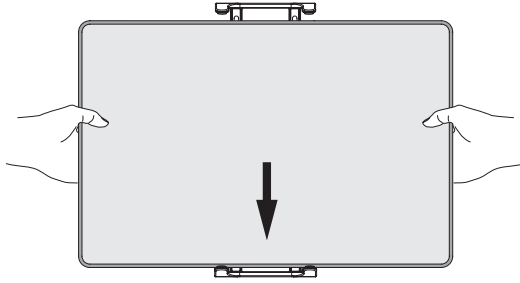
**Note:** Before continuing, we recommend checking that your tilt joint on your VESA mount is tight.

To adjust the Adapter **(K)** to fit the device, push device down onto springloaded tabs and position device against the face of the adapter. With the M4x16mm Thumbscrews **(S-F)** adjustment screws still loose, center the device on the adapter. Then tighten the M4x16mm Thumbscrews **(S-F)** adjustment screws.



## STEP 9

To remove the device, while holding both sides of the device, pull down, tilt the device, then lift it out. Reinstall the device in reverse order





Open **Monday - Friday 7:00am - 7:00pm** CST,  
our dedicated support team can offer immediate assistance with rapid response times. If any parts are received damaged or defective, please contact us. We are happy to replace parts to ensure you have a fully functioning product.



309-278-5303

**AVG. RESOLUTION TIME** (*within office hrs*): **5M 4S**



[www.vivo-us.com](http://www.vivo-us.com)  
*Chat live with an agent!*

**AVG. RESOLUTION TIME** (*within office hrs*): **< 15 M**



[help@vivo-us.com](mailto:help@vivo-us.com)

**AVG. RESPONSE TIME** (*within office hrs*): **1HR 8M**

- 23% within < 15m
- 38% within < 30m
- 61% within < 1hr
- 83% within < 2hr
- 92% within < 3hr