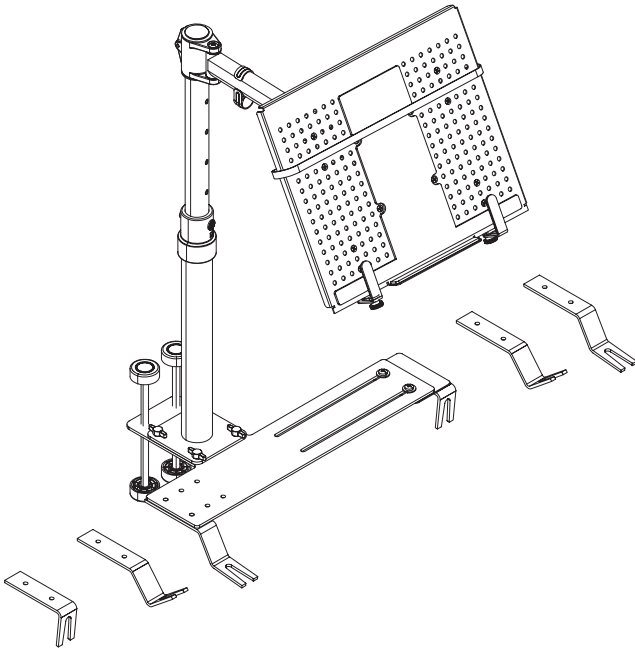




## Car Laptop Mount Instruction Manual



**SKU: MOUNT-CAR01**



Scan the QR code with your mobile device or follow the link for helpful videos and specifications related to this product.

**<https://vivo-us.com/products/mount-car01>**

**GET IN TOUCH** | Monday-Friday from 7:00am-7:00pm CST



help@vivo-us.com



www.vivo-us.com  
*Chat live with an agent!*



309-278-5303

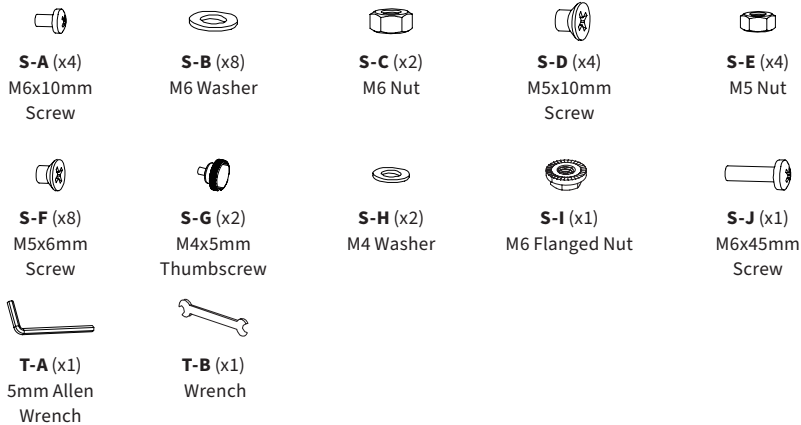
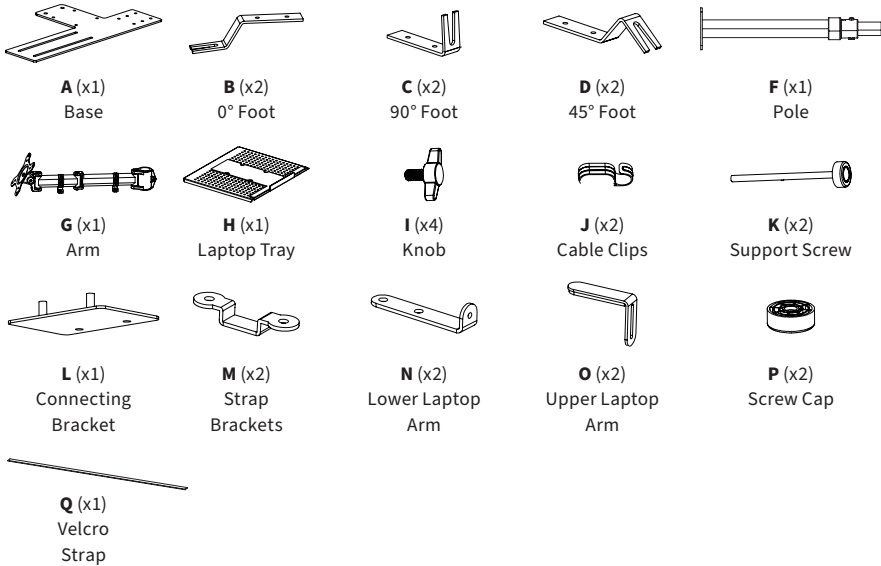
**⚠ WARNING!**

If you do not understand these directions, or if you have any doubts about the safety of the installation, please call a qualified technician. Check carefully to make sure there are no missing or defective parts. Improper installation may cause damage or serious injury. Do not use this product for any purpose that is not explicitly specified in this manual. Do not exceed weight capacity. We cannot be liable for damage or injury caused by improper mounting, incorrect assembly or inappropriate use.

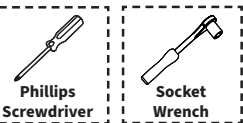
**⚠ WARNING: CHOKING HAZARD**

SMALL PARTS - NOT FOR CHILDREN UNDER 3 YEARS. ADULT SUPERVISION IS REQUIRED.

**PACKAGE CONTENTS**



**TOOLS NEEDED**



**NOTE: SOME HARDWARE MAY NOT BE USED**

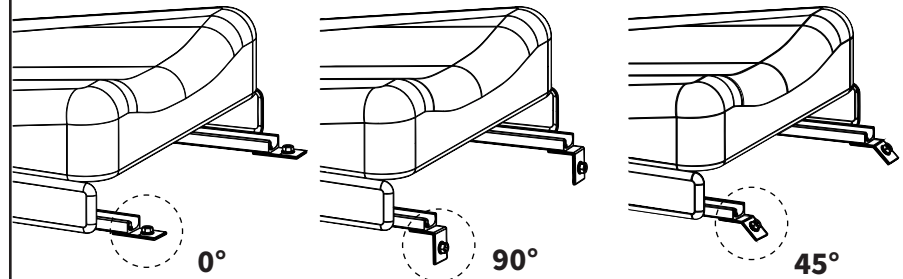
**DO NOT EXCEED WEIGHT CAPACITY.**  
Failure to do so may result in serious injury.



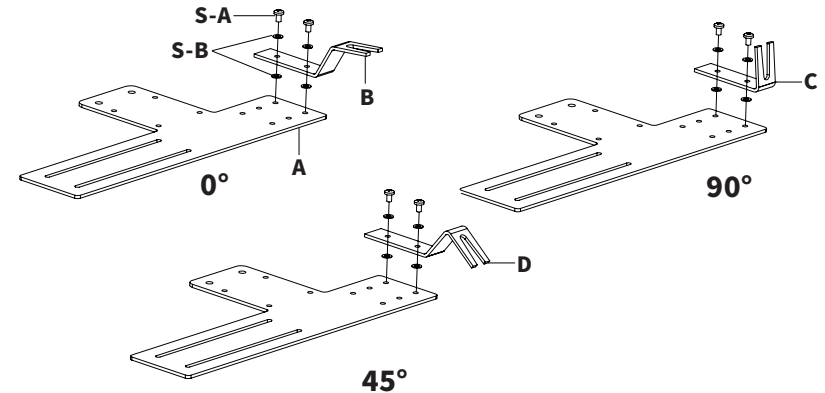
**ASSEMBLY STEPS**

**STEP 1**

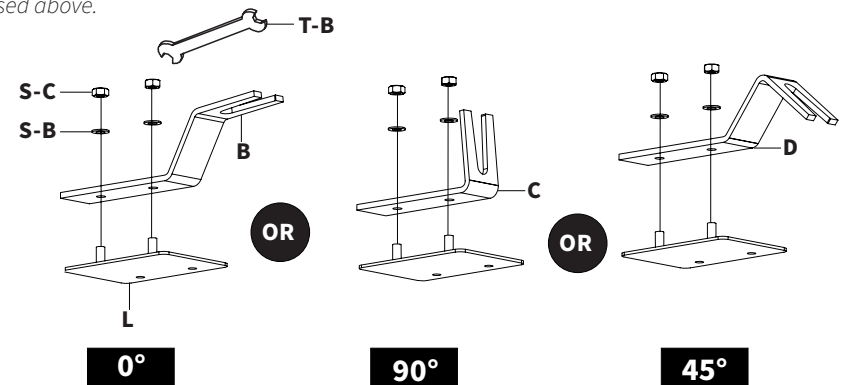
Begin by identifying what foot style is needed for your passenger seat configuration, using the images below. Please note that the two front seat bolts of some vehicles will differ from each other in angle.



Attach the appropriate foot for the passenger seat's left bolt [ 0° Foot (B), 90° Foot (C), or 45° Foot (D) ] to the left underside of of Base (A) using M6x10mm Screws (S-A) M6 Washers (S-B), and a Phillips screwdriver.

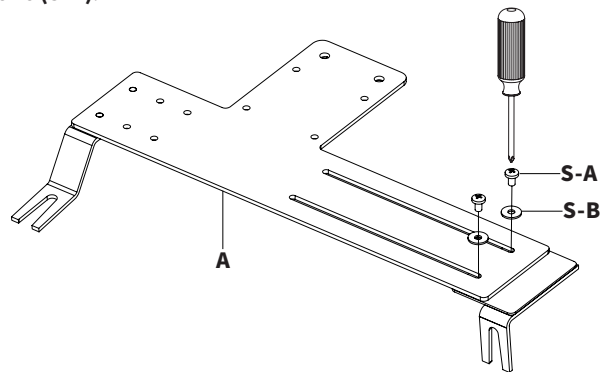


Install compatible Foot (B, C, D) for your passenger seat's left bolt to the threads on Connecting Bracket (L) using M6 Nuts (S-C), M6 Washers (S-B), and Wrench (T-B). Please note, based on your passenger seat's floor bolts, you may need a different foot than what was used above.



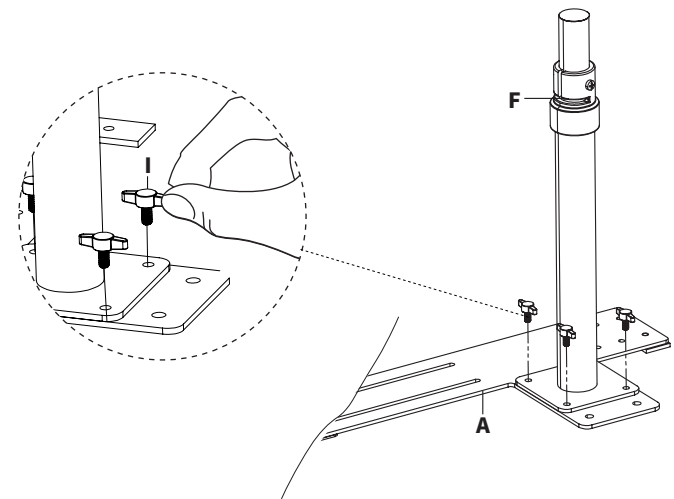
## STEP 2

Loosely assemble the right foot assembly to Base **(A)** using M6x10mm Screws **(S-A)**, M6 Washers **(S-B)**, and a Phillips screwdriver. Align the left foot with the left seat bolt on the passenger seat. Adjust the right foot to match up with the right bolt on the seat and tighten M6x10mm Screws **(S-A)**.



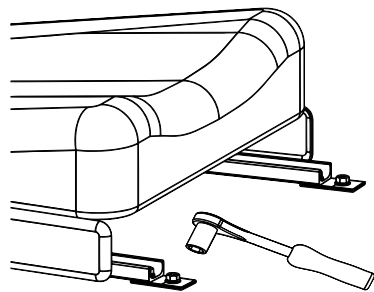
## STEP 4

Attach Pole **(F)** to back of Base **(A)** using Knobs **(I)**.

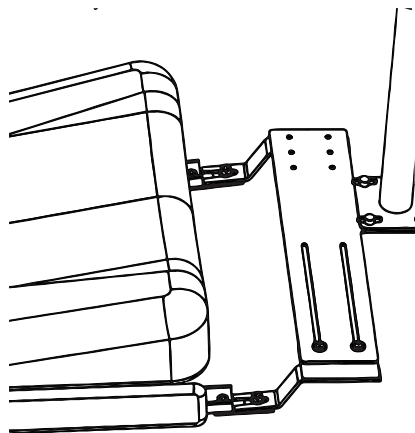


## STEP 3

Loosen the front seat bolts on passenger seat using a socket wrench (size needed depends on manufacturer).

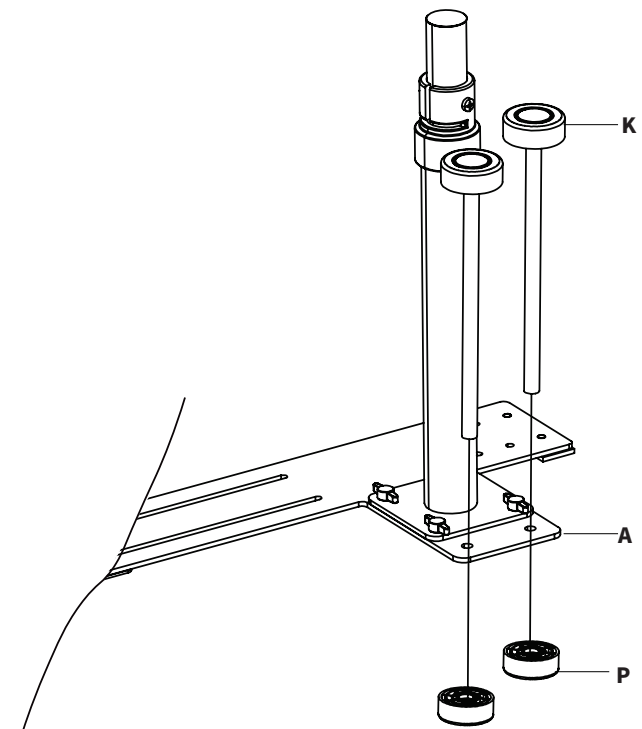


Slide the left foot under the left seat bolt and the right foot under the right seat bolt. Adjust the placement as needed and re-tighten bolts.



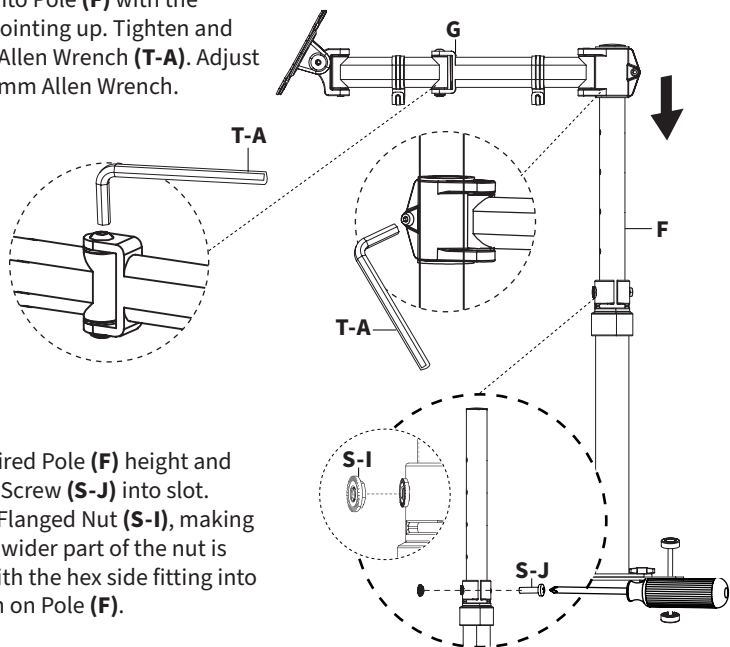
## STEP 5

Thread Support Screws **(K)** onto Base **(A)** and place Screw Caps **(P)** onto the ends once threaded.



## STEP 6

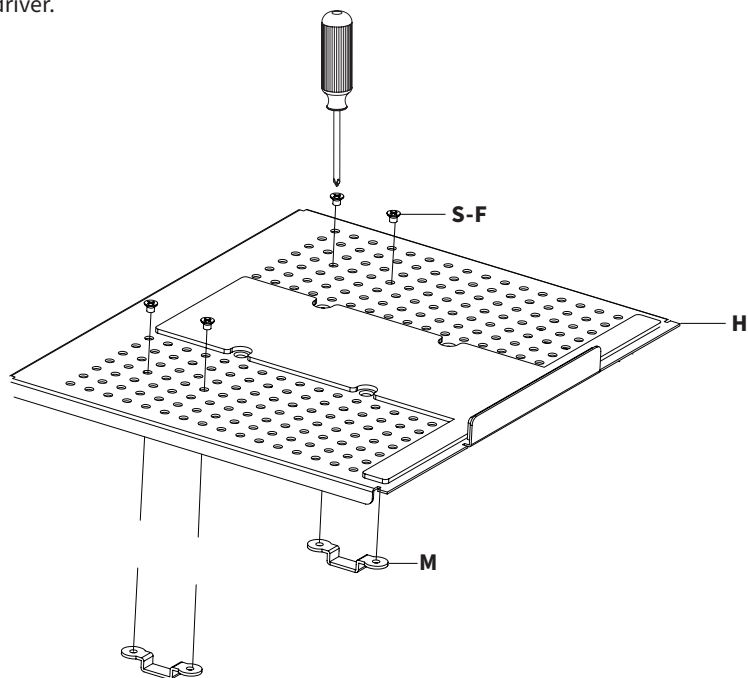
1. Slide Arm (G) onto Pole (F) with the adjustment bolt pointing up. Tighten and secure with 5mm Allen Wrench (T-A). Adjust the swivel using 5mm Allen Wrench.



2. Determine desired Pole (F) height and Insert M6x45mm Screw (S-J) into slot. Secure using M6 Flanged Nut (S-I), making sure the flanged, wider part of the nut is facing outward, with the hex side fitting into the hex indentation on Pole (F).

## STEP 7

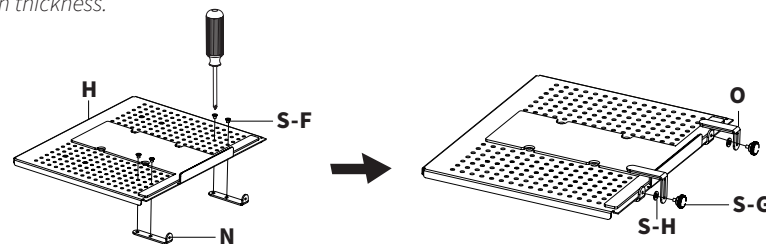
Secure Strap Brackets (M) to Laptop Tray (H) using M5x6mm Screws (S-F) and a Phillips Screwdriver.



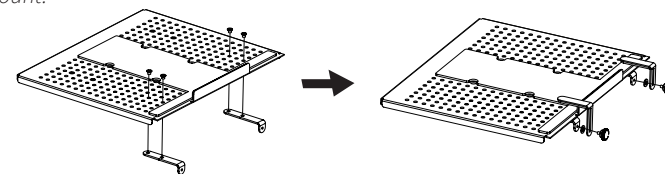
## STEP 8

Attach Lower Laptop Arms (N) with tab pointing up to underside of Laptop Tray (H) using M5x6mm Screws (S-F) and a Phillips screwdriver. Connect Upper Laptop Arms (O) to front tab of Lower Arms (N) using M4 Washers (S-H) and M4x5mm Thumbscrews (S-G).

*Note: Lower Laptop Arms (N) installed in the up position is compatible with laptops 0.5" to 1.25" in thickness.*

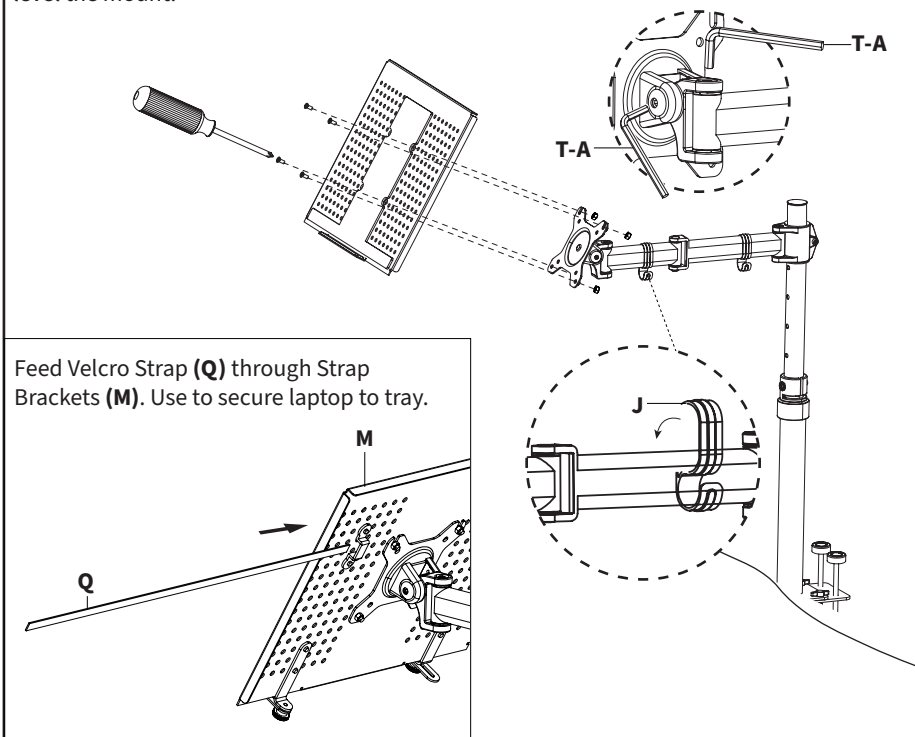


*Note: Lower Laptop Arms (N) can be pointed down to allow for thinner laptops (0 to 0.5") to be used with mount.*

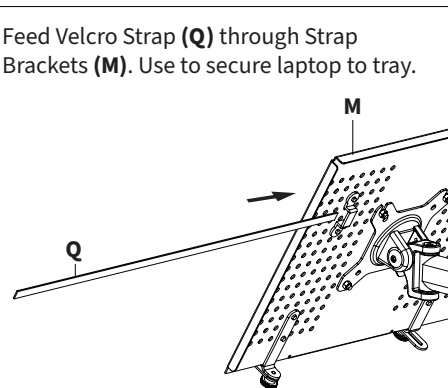


## STEP 9

Connect Laptop Tray (H) to assembly using M5x10mm Screws (S-D), M5 Nuts (S-E), and a Phillips screwdriver. Use 5mm Allen Wrench (T-A) to adjust the tilt and swivel on VESA bracket. Place Cable Clips (J) on Arm (G) to manage cables. Tighten Support Screws (K) to level the mount.



Feed Velcro Strap (Q) through Strap Brackets (M). Use to secure laptop to tray.





Open **Monday - Friday 7:00am - 7:00pm** CST,  
our dedicated support team can offer immediate assistance with rapid response times. If any parts are received damaged or defective, please contact us. We are happy to replace parts to ensure you have a fully functioning product.



309-278-5303

**AVG. RESOLUTION TIME** (*within office hrs*): **5M 4S**



[www.vivo-us.com](http://www.vivo-us.com)  
*Chat live with an agent!*

**AVG. RESOLUTION TIME** (*within office hrs*): **< 15 M**



[help@vivo-us.com](mailto:help@vivo-us.com)

**AVG. RESPONSE TIME** (*within office hrs*): **1HR 8M**

- 23% within < 15m
- 38% within < 30m
- 61% within < 1hr
- 83% within < 2hr
- 92% within < 3hr