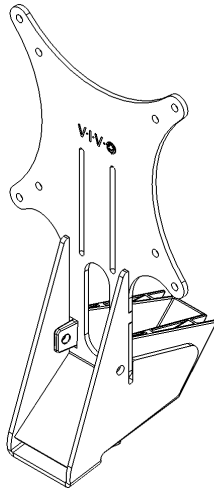




VESA Adapter for Compatible Asus Monitors

Instruction Manual



SKU: MOUNT-ASVZ01



Scan the QR code with your mobile device or follow the link for helpful videos and specifications related to this product.

<https://vivo-us.com/products/mount-asvz01>

GET IN TOUCH | Monday-Friday from 7:00am-7:00pm CST



help@vivo-us.com



www.vivo-us.com
Chat live with an agent!



309-278-5303

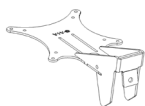
WARNING!

If you do not understand these directions, or if you have any doubts about the safety of the installation, please call a qualified technician. Check carefully to make sure there are no missing or defective parts. Improper installation may cause damage or serious injury. Do not use this product for any purpose that is not explicitly specified in this manual. Do not exceed weight capacity. We cannot be liable for damage or injury caused by improper mounting, incorrect assembly or inappropriate use.

WARNING: CHOKING HAZARD

SMALL PARTS - NOT FOR CHILDREN UNDER 3 YEARS. ADULT SUPERVISION IS REQUIRED.

PACKAGE CONTENTS



A (x1)
VESA Adapter



S-A (x4)
M4x12 mm
Thumbscrew



S-B (x3)
M6 Washer

TOOLS NEEDED

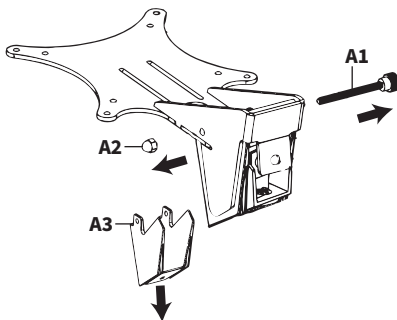


Phillips
Screwdriver

ASSEMBLY STEPS

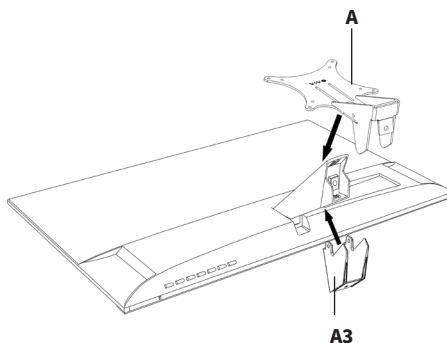
STEP 1

Begin by removing Thumbscrew (**A1**), and Cap Nut (**A2**) from VESA Adapter (**A**), then remove Plastic Spacer (**A3**).



STEP 2

Connect Plastic Spacer (**A3**) onto the front of the monitor's post. Place VESA Adapter (**A**) onto the back of the post over Plastic Spacer, making sure the holes on the sides of the adapter align with the holes in the spacer.

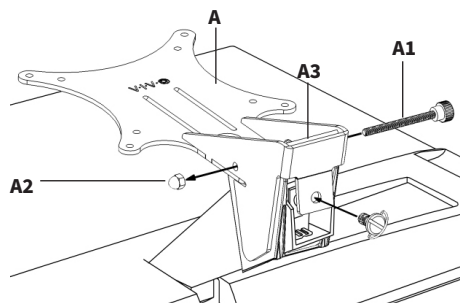


STEP 3

OPTION A: For VZ Series Monitors (VZ229HE, VZ229N, VZ239H-W, VZ249H, VZ279H, VZ27AQ, VZ279HE)

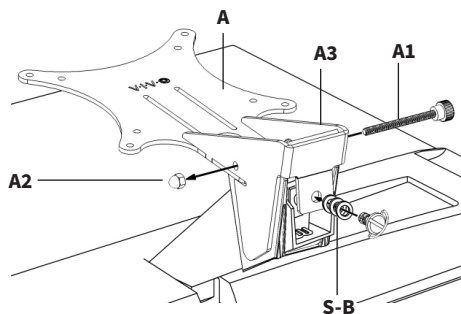
Insert the Thumbscrew **(A1)** through the sides of VESA Adapter **(A)** and Plastic Spacer **(A3)** and secure with the Cap Nut **(A2)**. Use the screw from the monitor's original base to secure the adapter to the post.

Note: Do not use M6 washers **(S-B)** in this step if you have a VZ series monitor.



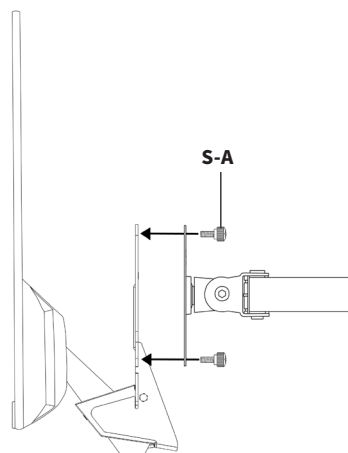
OPTION B: For VX Series Monitors

Insert Thumbscrew **(A1)** through the sides of VESA Adapter **(A)** and Place Spacer **(A3)**. Secure with the Cap Nut **(A2)**. Use the screw from the monitor's original base along with the M6 Washers **(S-B)** to secure the adapter to the post.



STEP 4

Mount the monitor with adapter to your VESA mount using M4x12mm Thumbscrews **(S-A)**.





Love your new VIVO setup and want to share?
Tag us in your photo! [@vivo_us](#)

LAST UPDATED: 01/27/2023
REV1



Open **Monday - Friday 7:00am - 7:00pm** CST,
our dedicated support team can offer immediate assistance with rapid response times. If any parts are received damaged or defective, please contact us. We are happy to replace parts to ensure you have a fully functioning product.



309-278-5303

AVG. RESOLUTION TIME (*within office hrs*): **5M 4S**



www.vivo-us.com
Chat live with an agent!

AVG. RESOLUTION TIME (*within office hrs*): **< 15 M**



help@vivo-us.com

AVG. RESPONSE TIME (*within office hrs*): **1HR 8M**

- 23% within < 15m
- 38% within < 30m
- 61% within < 1hr
- 83% within < 2hr
- 92% within < 3hr

FOR MORE VIVO PRODUCTS, CHECK OUT OUR WEBSITE AT: www.vivo-us.com