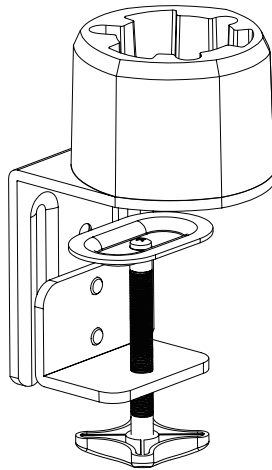




---

## Desk Clamp Designed for ASUS ROG Monitor

### Instruction Manual



**SKU: MOUNT-ASROG**



Scan the QR code with your mobile device or follow the link for helpful videos and specifications related to this product.

<https://vivo-us.com/products/mount-asrog>

---

GET IN TOUCH | Monday-Friday from 7:00am-7:00pm CST



help@vivo-us.com



www.vivo-us.com  
*Chat live with an agent!*



309-278-5303

# **WARNING!**

If you do not understand these directions, or if you have any doubts about the safety of the installation, please call a qualified technician. Check carefully to make sure there are no missing or defective parts. Improper installation may cause damage or serious injury. Do not use this product for any purpose that is not explicitly specified in this manual. Do not exceed weight capacity. We cannot be liable for damage or injury caused by improper mounting, incorrect assembly or inappropriate use.

## **WARNING: CHOKING HAZARD**

SMALL PARTS - NOT FOR CHILDREN UNDER 3 YEARS. ADULT  
SUPERVISION IS REQUIRED.

### PACKAGE CONTENTS



**A** (x1)  
Casted Base



**B** (x1)  
Upper Clamp



**C** (x1)  
Lower Clamp



**S-A** (x2)  
M8x12mm  
Screw



**S-B** (x5)  
M6x16mm  
Screw



**S-C** (x2)  
M6x25mm  
Screw



**S-D** (x1)  
M5x35mm  
Screw



**S-E** (x2)  
M4x30mm  
Screw



**T-A** (x1)  
4mm Allen  
Wrench



**T-B** (x1)  
5mm Allen  
Wrench

### TOOLS NEEDED

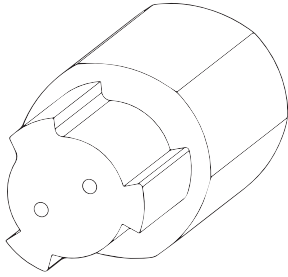
**NOTE:** NOT ALL HARDWARE INCLUDED WILL BE USED



## ASSEMBLY STEPS

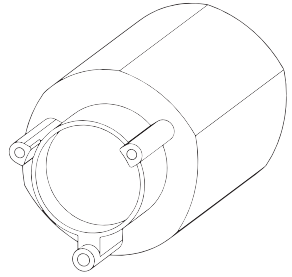
### STEP 1

Set monitor on a flat surface and remove the stand following the manufacturer's instructions. Determine the stand type you have and follow the instructions for that stand



Type 1

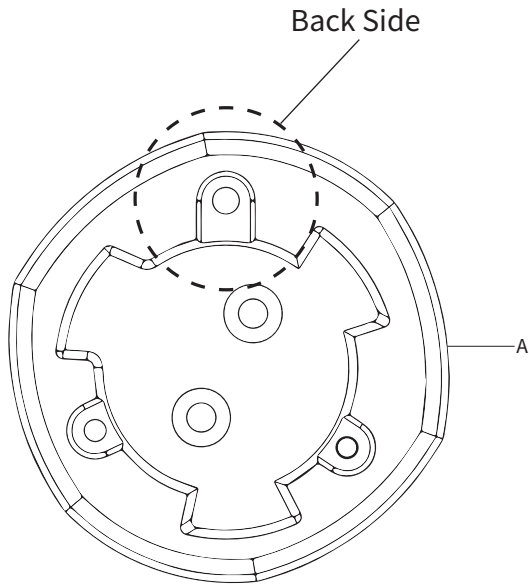
OR



Type 2

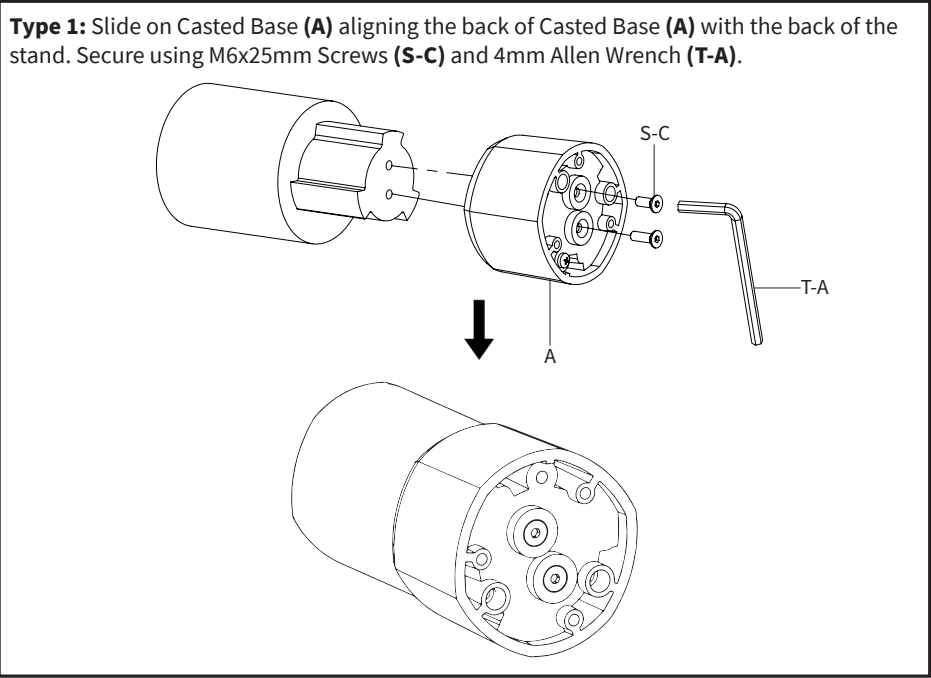
### STEP 2

Locate the back side of Casted Base (**A**) using the unique cutout shown in the image.



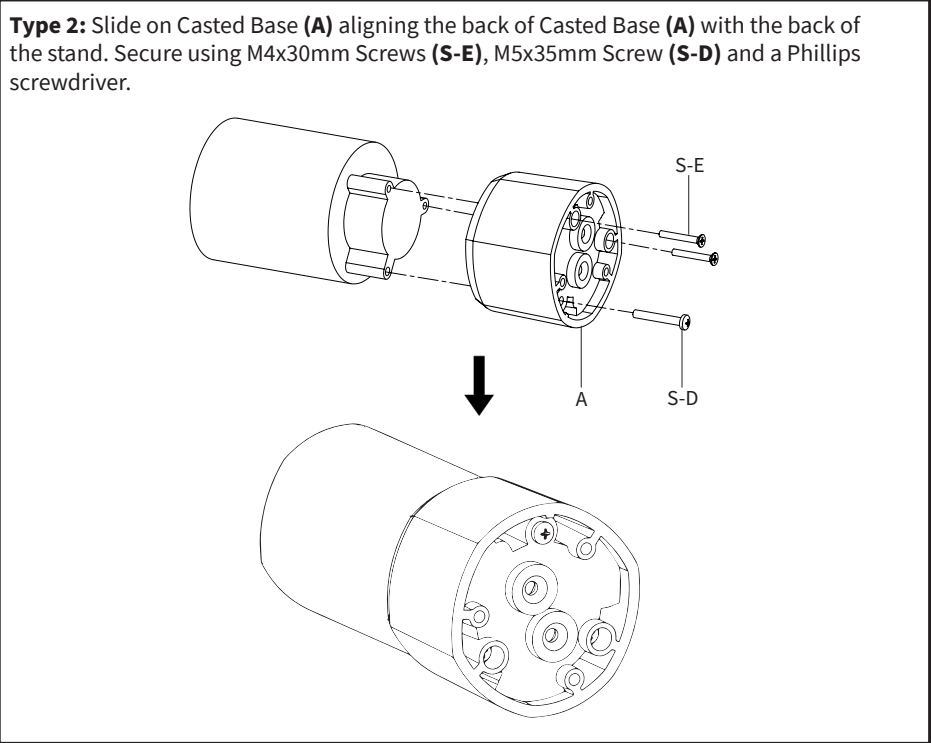
STEP 3 (Option A)

**Type 1:** Slide on Casted Base (A) aligning the back of Casted Base (A) with the back of the stand. Secure using M6x25mm Screws (S-C) and 4mm Allen Wrench (T-A).



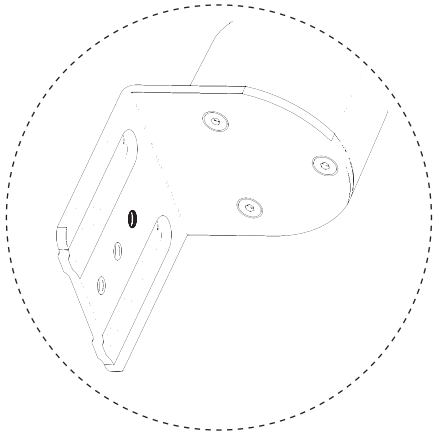
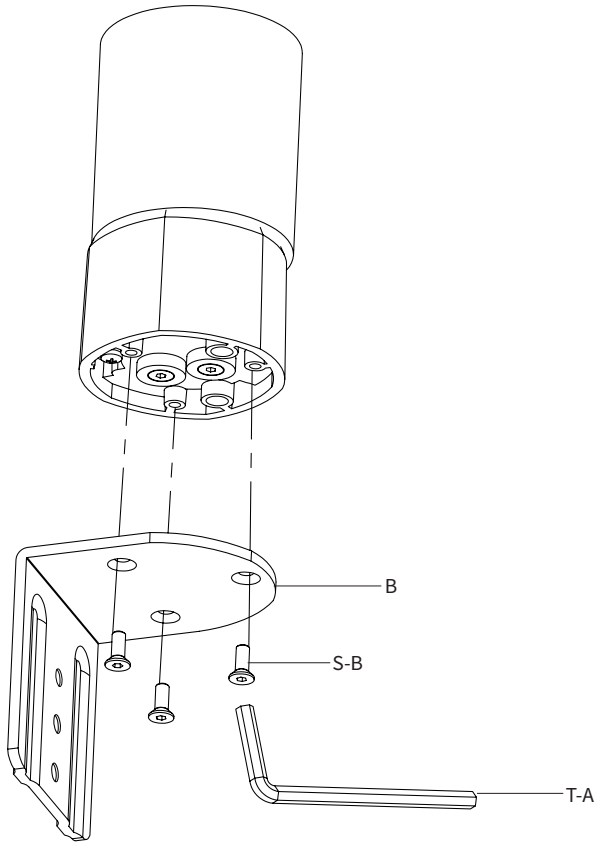
STEP 3 (Option B)

**Type 2:** Slide on Casted Base (A) aligning the back of Casted Base (A) with the back of the stand. Secure using M4x30mm Screws (S-E), M5x35mm Screw (S-D) and a Phillips screwdriver.



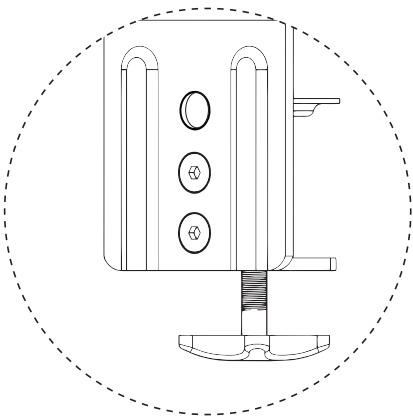
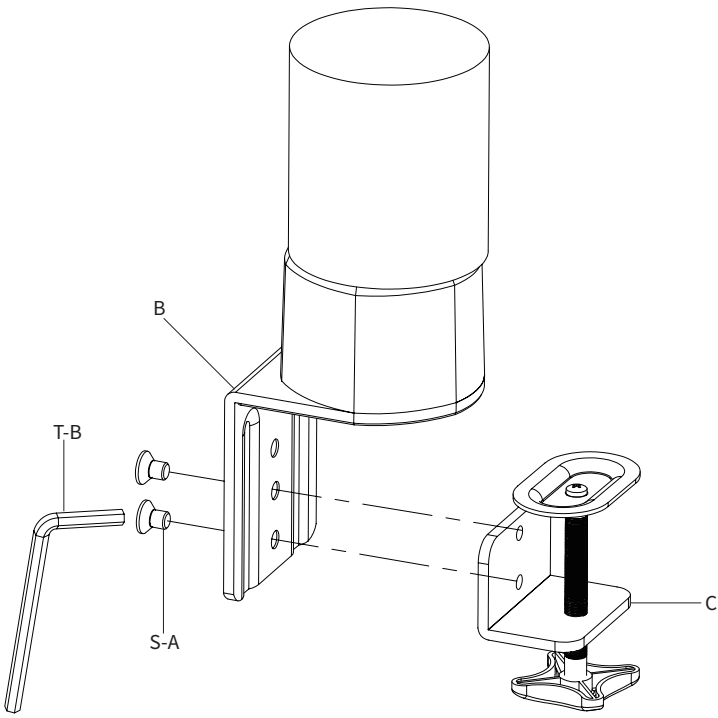
## STEP 4

Assemble Upper Clamp (**B**) using M6x16mm Screws (**S-B**) and 4mm Allen Wrench (**T-A**).



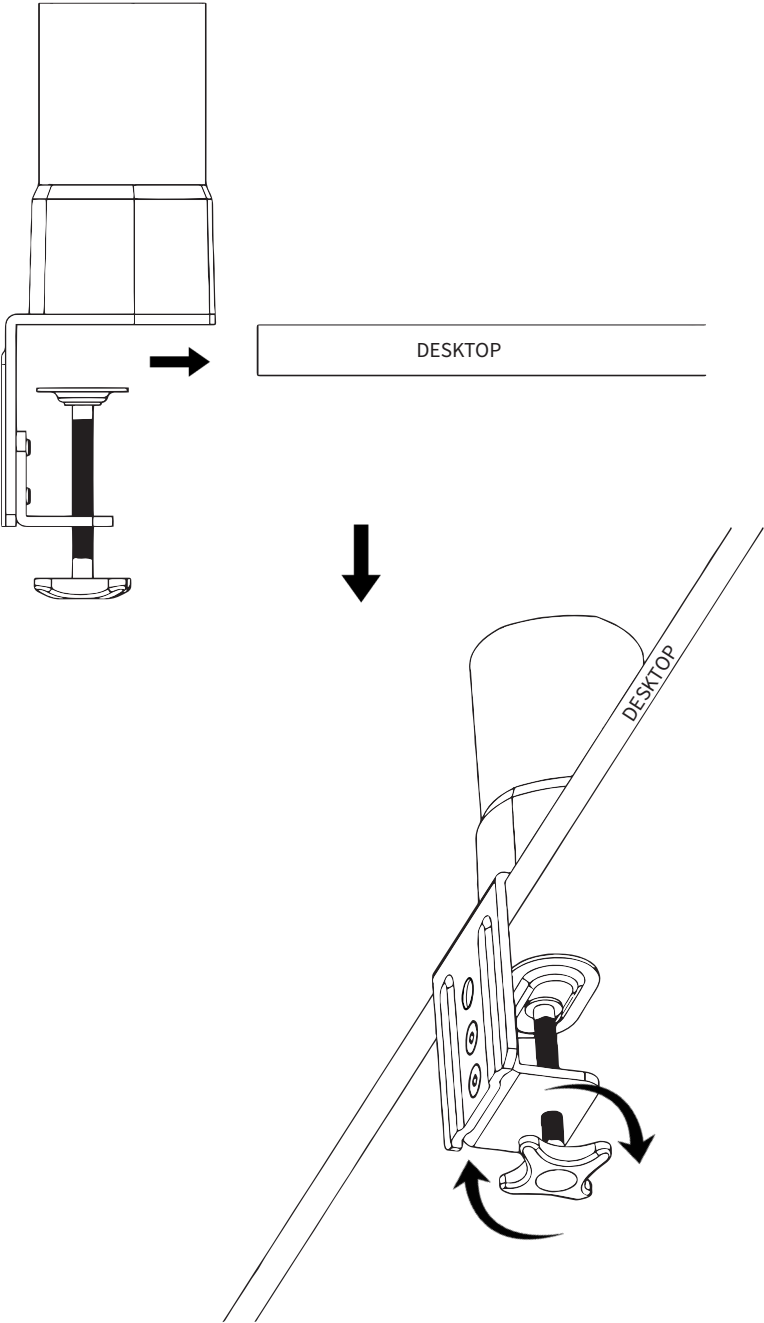
STEP 5

Attach Lower Clamp (C) to Upper Clamp (B) using M8x12mm Screws (S-A) and 5mm Allen Wrench (T-B).



STEP 6

Open clamp screw 0.25" (6.5mm) larger than the desktop thickness. Slide the clamp assembly with monitor onto the desktop.





Open **Monday - Friday 7:00am - 7:00pm** CST,  
our dedicated support team can offer immediate assistance with rapid response times. If any parts are received damaged or defective, please contact us. We are happy to replace parts to ensure you have a fully functioning product.



309-278-5303

**AVG. RESOLUTION TIME** (*within office hrs*): **5M 4S**



[www.vivo-us.com](http://www.vivo-us.com)  
*Chat live with an agent!*

**AVG. RESOLUTION TIME** (*within office hrs*): **< 15 M**



[help@vivo-us.com](mailto:help@vivo-us.com)

**AVG. RESPONSE TIME** (*within office hrs*): **1HR 8M**

- 23% within < 15m
- 38% within < 30m
- 61% within < 1hr
- 83% within < 2hr
- 92% within < 3hr