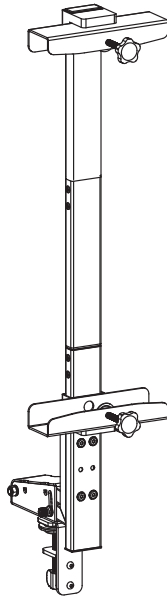




Black Clamp-on Art Easel Stand

Instruction Manual



SKU: MOUNT-ART1



Scan the QR code with your mobile device or follow the link for helpful videos and specifications related to this product.

<https://vivo-us.com/products/mount-art1>

GET IN TOUCH | Monday-Friday from 7:00am-7:00pm CST



help@vivo-us.com



www.vivo-us.com
Chat live with an agent!



309-278-5303

⚠ WARNING!

If you do not understand these directions, or if you have any doubts about the safety of the installation, please call a qualified technician. Check carefully to make sure there are no missing or defective parts. Improper installation may cause damage or serious injury. Do not use this product for any purpose that is not explicitly specified in this manual. Do not exceed weight capacity. We cannot be liable for damage or injury caused by improper mounting, incorrect assembly or inappropriate use.

⚠ WARNING: CHOKING HAZARD

SMALL PARTS - NOT FOR CHILDREN UNDER 3 YEARS. ADULT SUPERVISION IS REQUIRED.

PACKAGE CONTENTS

A (x1) Upper Clamp	B (x1) Lower Clamp	C (x1) Base	D (x2) Canvas Clamp	E (x1) Bottom Pole
F (x2) Top Pole	G (x1) Pole Cap			
S-A (x8) M5x6mm Screw	S-B (x3) M6x10mm Screw	S-C (x2) M6x12mm Screw	S-D (x4) M6x30mm Screw	T-A (x1) 4mm Allen Wrench

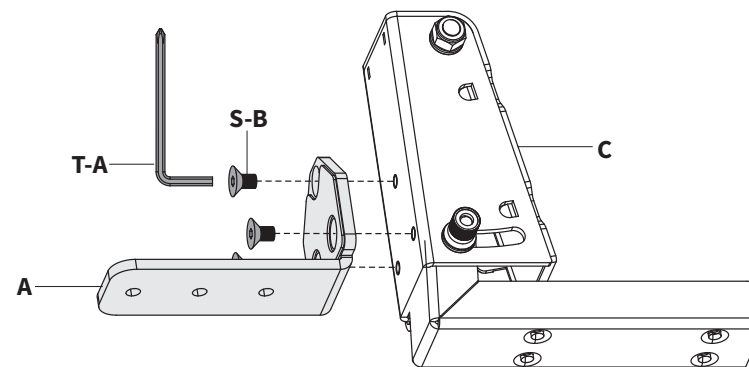
DO NOT EXCEED WEIGHT CAPACITY.
Failure to do so may result in serious injury.



ASSEMBLY STEPS

STEP 1

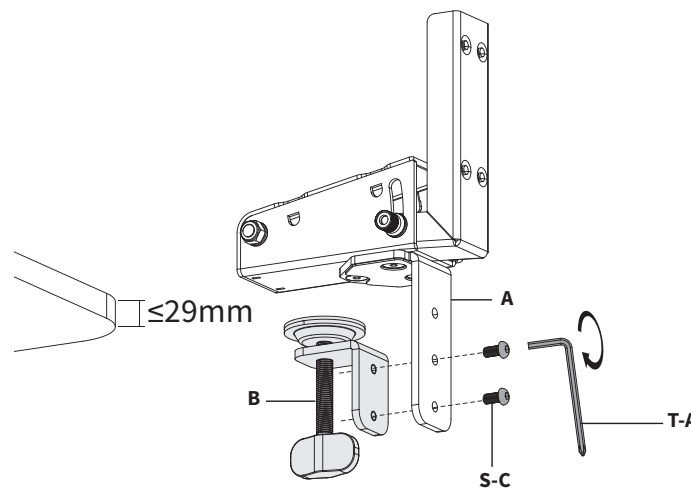
Assemble Upper Clamp (A) to Base (C) using M6x10mm Screws (S-B) and 4mm Allen Wrench (T-A).



STEP 2a

Mounting Surface Thickness <29mm/1.1"

To mount the stand to a surface less than 29mm/1.1" thick, mount Lower Clamp (B) to Upper Clamp (A) using M6x12mm Screws (S-C) in the bottom two holes with 4mm Allen Wrench (T-A).



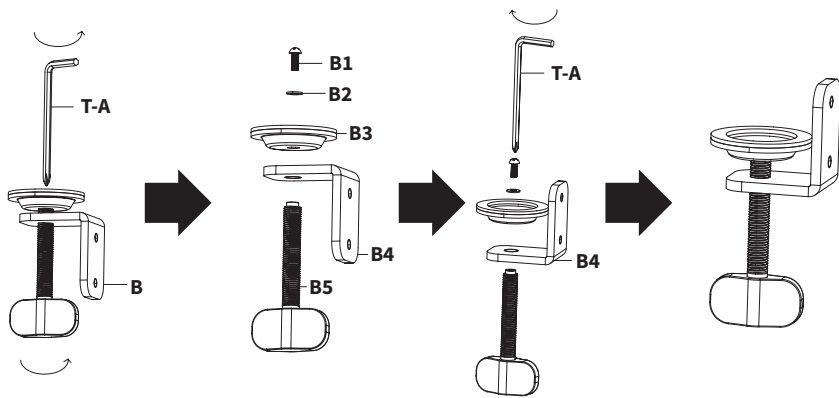
***For surfaces greater than 29mm/1.1" thick, see STEP 2b on next page for assembly instructions**

STEP 2b

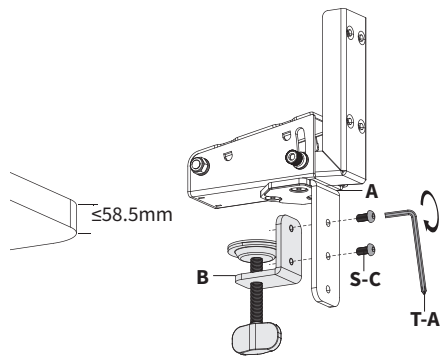
Mounting Surface Thickness >29mm/1.1"

To mount the stand to a surface more than 29mm/1.1" thick, the Lower Clamp (B) will need to be adjusted.

Use 4mm Allen Wrench (T-A) to remove the Screw (B1) from Clamp (B) and separate into five parts: Screw (B1), Washer (B2), Clamp Plate (B3), Bracket (B4), and Hand Screw (B5). Flip Bracket (B3) upside down as shown below, and then reassemble the Clamp (B).



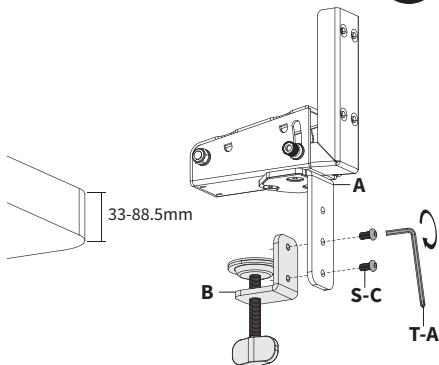
**Follow steps below for to mount Lower Clamp (B) to Upper Clamp (A) based on your specific mounting surface thickness.*



$\leq 58.5\text{mm}/2.3''$ Thick

To mount the stand to a surface less than 58.5mm/2.3" thick, mount Lower Clamp (B) to Upper Clamp (A) using M6x12mm Screws (S-C) in the upper two holes with 4mm Allen Wrench (T-A).

OR

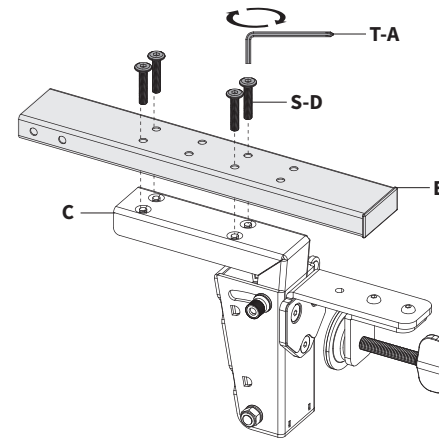


33-88.5mm/1.3-3.4'' Thick

To mount the stand to a surface 33-88.5mm/1.3-3.4" thick, mount Lower Clamp (B) to Upper Clamp (A) using M6x12mm Screws (S-C) in the lower two holes with 4mm Allen Wrench (T-A).

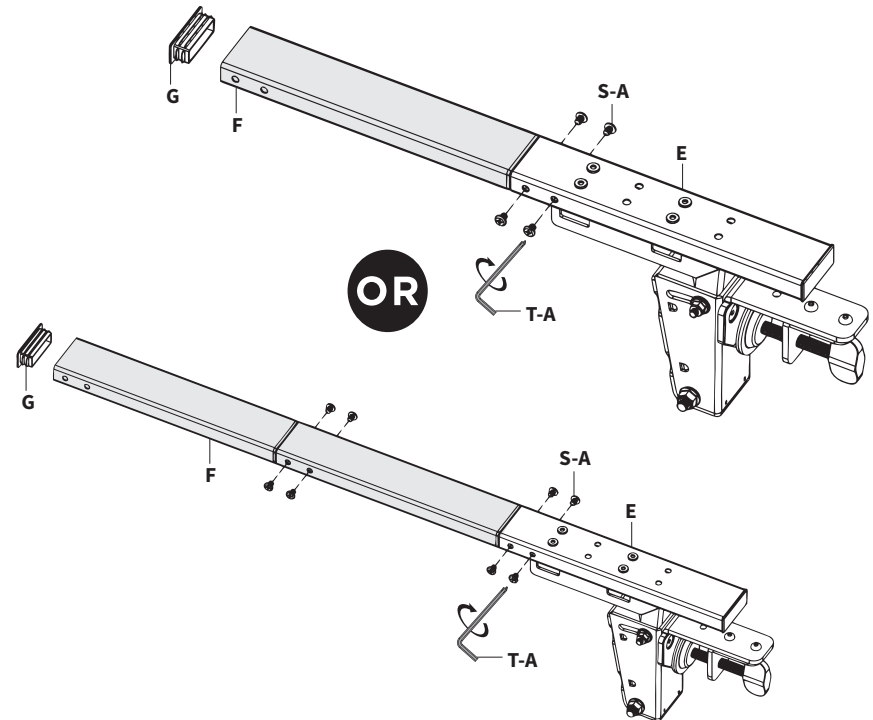
STEP 3

Assemble Bottom Pole (E) to Base (C) using M6x30mm Screws (S-D) and 4mm Allen Wrench (T-A). Ensure the top holes are being used on Bottom Pole (E).



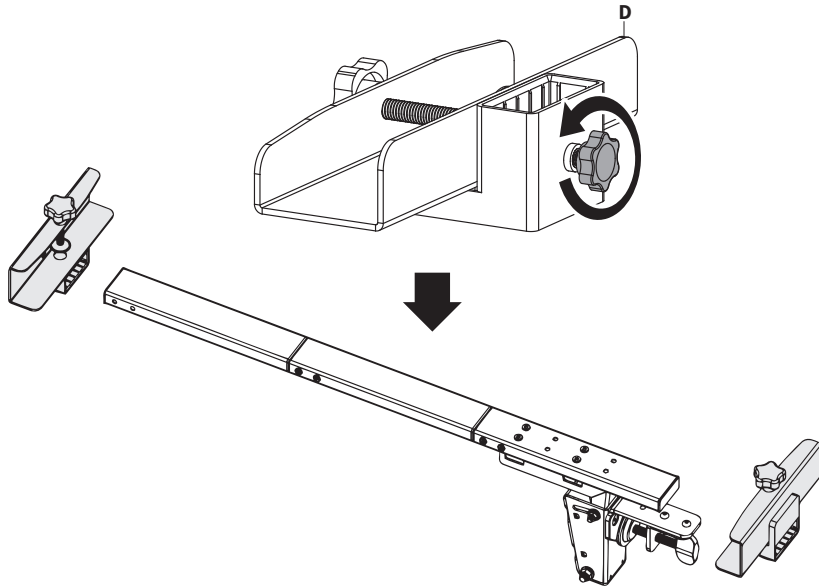
STEP 4

Depending on the desired height of the mount, assemble one or both Top Poles (F) to Bottom Pole (E) using M5x6mm Screws (S-A) and the Phillips end of 4mm Allen Wrench (T-A). Insert Pole Cap (G) into Top Pole (F).



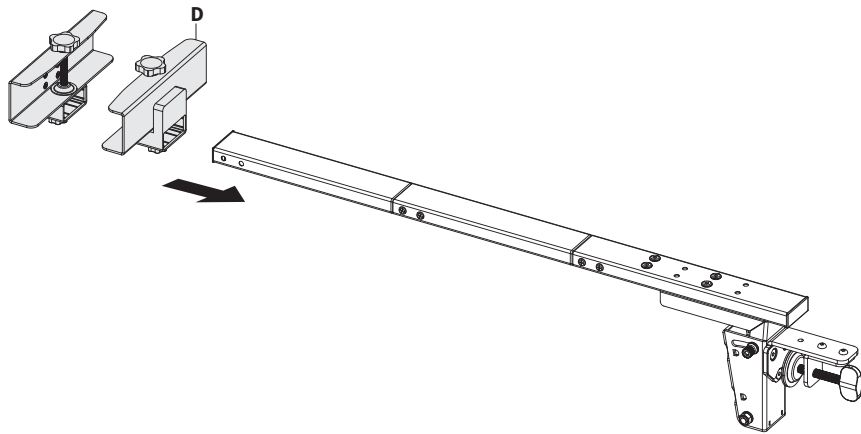
STEP 5

Loosen the knobs on the back of Canvas Clamps (**D**) and slide them on to the pole assembly, with one at the top and one at the bottom, as shown below. Secure Canvas Clamps (**D**) at the desired height.



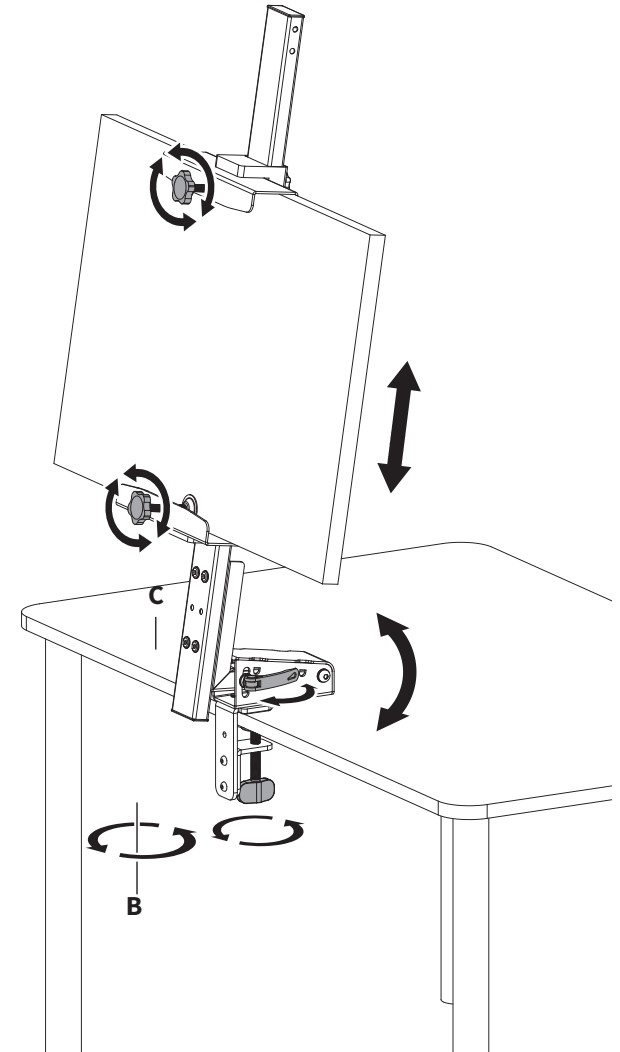
FOR CANVASES SMALLER THAN 9”:

Slide both Canvas Clamps (**D**) onto the upper section. This allows smaller canvases to sit above the desktop surface, if desired.



STEP 6

Secure the mount to the desktop by tightening Lower Clamp (**B**). Insert the canvas into Canvas Clamps (**D**) and secure by tightening the front knobs. Adjust the tilt using the lever on the side of Base (**C**).





Open **Monday - Friday 7:00am - 7:00pm** CST,
our dedicated support team can offer immediate assistance with rapid response times. If any parts are received damaged or defective, please contact us. We are happy to replace parts to ensure you have a fully functioning product.



309-278-5303

AVG. RESOLUTION TIME (*within office hrs*): **5M 4S**



www.vivo-us.com

Chat live with an agent!

AVG. RESOLUTION TIME (*within office hrs*): **< 15 M**



help@vivo-us.com

AVG. RESPONSE TIME (*within office hrs*): **1HR 8M**

- 23% within < 15m
- 38% within < 30m
- 61% within < 1hr
- 83% within < 2hr
- 92% within < 3hr