

VESA Adapter Designed for Compatible Acer & Viewsonic Monitors

SKU: MOUNT-AR240H

Instruction Manual

Assembly Video & Product Info
www.vivo-us.com/products/mount-ar240h



[THIS PAGE HAS BEEN INTENTIONALLY LEFT BLANK]

! CAUTION! !

If you do not understand these directions, or if you have any doubts about the safety of the installation, please contact our product support team at 309-278-5303 or help@vivo-us.com for further assistance. Check carefully to make sure there are no missing or defective parts. Improper installation may cause damage or serious injury. Do not use this product for any purpose that is not explicitly specified in this manual. Do not exceed weight capacity. We cannot be liable for damage or injury caused by improper mounting, incorrect assembly or inappropriate use.



WARNING: CHOKING HAZARD

SMALL PARTS - NOT FOR CHILDREN UNDER 3 YEARS. ADULT SUPERVISION IS REQUIRED.

We're Here for You

Open **Monday - Friday 7:00am - 7:00pm CST**, our dedicated support team can offer immediate assistance with rapid response times. If any parts are received damaged or defective, please contact us. We are happy to replace parts to ensure you have a fully functioning product.



Give us a Call:
309-278-5303

AVG. RESOLUTION TIME (*within office hrs*): **5M 4S**



Chat Us:
www.vivo-us.com

AVG. RESOLUTION TIME (*within office hrs*): **< 15 M**

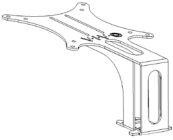


Email Us:
help@vivo-us.com

AVG. RESPONSE TIME (*within office hrs*): **1HR 8M**

- 23% within < 15m
- 38% within < 30m
- 61% within < 1hr
- 83% within < 2hr
- 92% within < 3hr

Package Contents



A (x1)
VESA Adapter

Included Hardware & Tools



M-A (x4)
M4x12 Thumbscrew



M-B (x4)
Washer

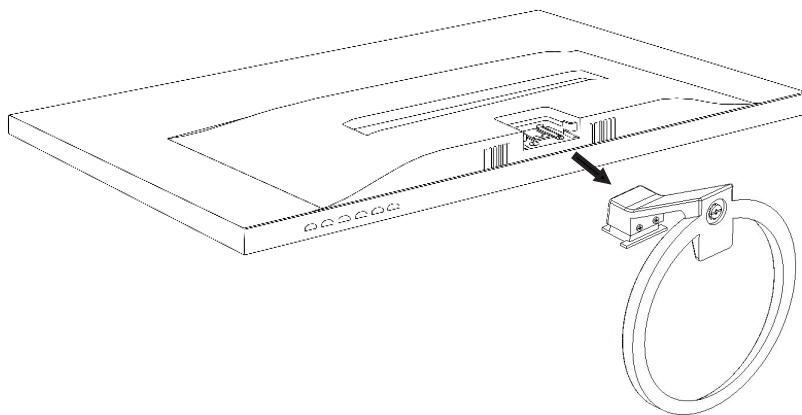
Tools Needed:



Phillips
Screwdriver

PRE-INSTALLATION

Remove your OEM base from your compatible Acer or Viewsonic monitor.



Trouble Removing OEM Base?

If you are having issues removing the OEM base, check our quick tutorial for tips and tricks for an easy removal process.



**WATCH
NOW**

**Scan to View Quick
Tips Video**

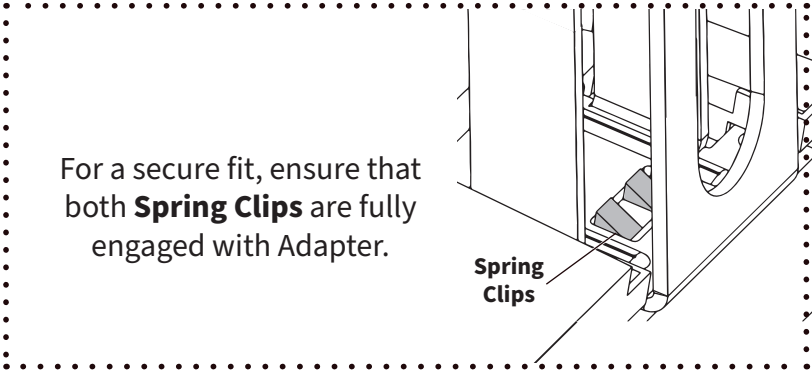
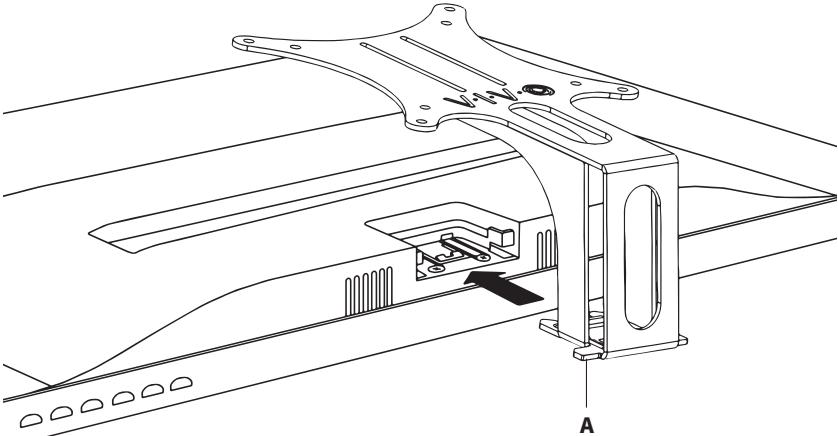
*Link will direct to product page
with resources available.*



INSTALLATION STEPS

STEP 1

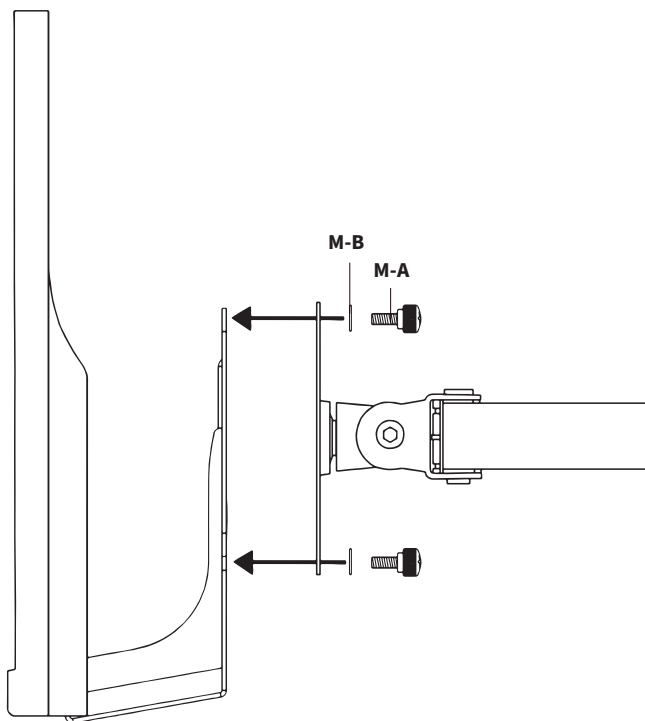
Slide the VESA adapter (**A**) into the Monitor Slot. You will hear a “click” when the adapter is locked in place.



For a secure fit, ensure that both **Spring Clips** are fully engaged with Adapter.

STEP 2

Mount the adapter with monitor to your VESA mount using M4x12mm Thumbscrews (**M-A**) and Washers (**M-B**). Do not overtighten; the thumbscrews only need to be finger-tight.





Need Help? Get In Touch

Monday-Friday from 7:00am-7:00pm CST



help@vivo-us.com



www.vivo-us.com

Chat live with an agent!



309-278-5303



VIVO-us @vivo_us

FOR MORE GREAT VIVO PRODUCTS,
CHECK OUT OUR WEBSITE AT: WWW.VIVO-US.COM