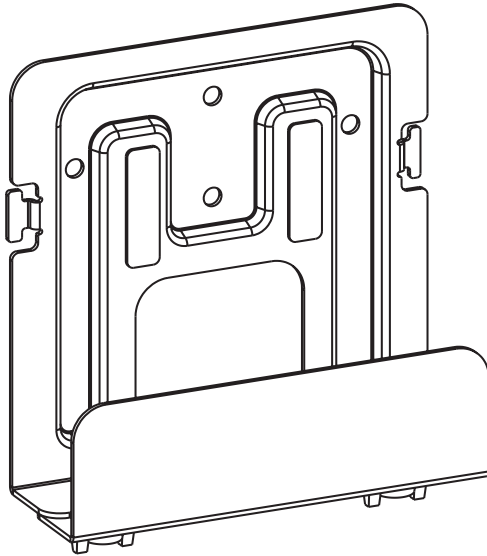




Wall Mount Designed for Nintendo Switch Instruction Manual



SKU: MOUNT-ALL02



Scan the QR code with your mobile device or follow the link for helpful videos and specifications related to this product.

<https://vivo-us.com/products/mount-all02>

GET IN TOUCH | Monday-Friday from 7:00am-7:00pm CST



help@vivo-us.com



www.vivo-us.com
Chat live with an agent!



309-278-5303

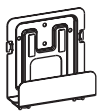
WARNING!

If you do not understand these directions, or if you have any doubts about the safety of the installation, please call a qualified technician. Check carefully to make sure there are no missing or defective parts. Improper installation may cause damage or serious injury. Do not use this product for any purpose that is not explicitly specified in this manual and do not exceed weight capacity. We cannot be liable for damage or injury caused by improper mounting, incorrect assembly, or inappropriate use.

WARNING: CHOKING HAZARD

SMALL PARTS - NOT FOR CHILDREN UNDER 3 YEARS. ADULT SUPERVISION IS REQUIRED.

PACKAGE CONTENTS



A (x1)



B (x1)
Elastic Band



W-A (x2)
ST4.2x25mm
Screw



W-B (x2)
Concrete
Anchor

TOOLS NEEDED



Phillips
Screwdriver



Stud
Finder



Level

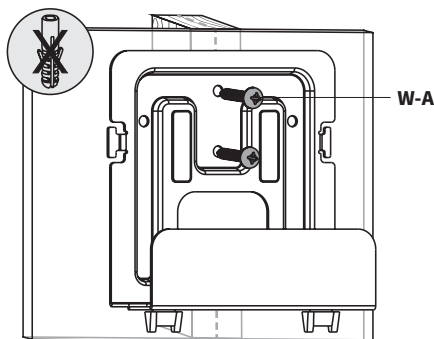
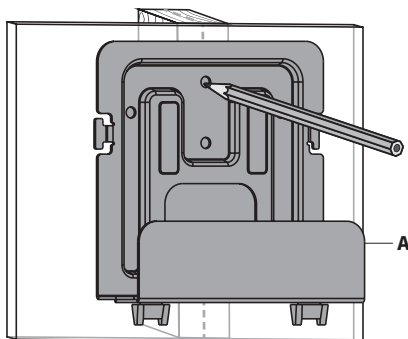
DO NOT EXCEED WEIGHT CAPACITY.
Failure to do so may result in serious injury.

**2.2 lbs
(1kg)**

ASSEMBLY STEPS

STEP 1 - Wood Stud Installation

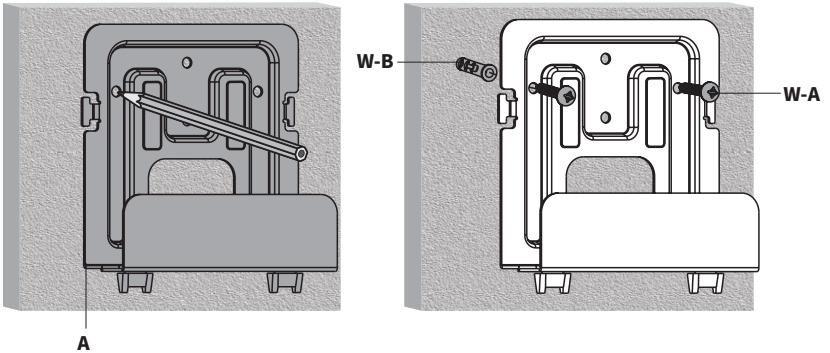
Hold Mount **(A)** up to desired location and mark mounting holes using a pencil. Use of a level and stud finder is highly recommended. Drill marked locations 0.75" (19mm) deep using a 1/8" (3mm) drill bit. Install Mount **(A)** to wall using ST4.2x25mm Screws **(W-A)** and a Phillips screwdriver.



PROCEED TO STEP 2

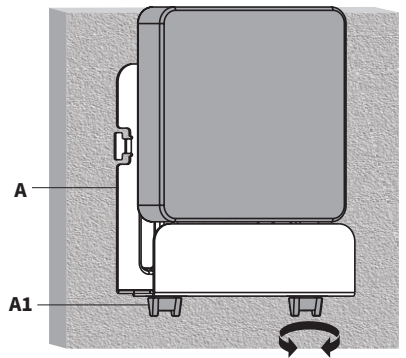
STEP 1 - Concrete Wall Installation

Hold Mount **(A)** up to desired location and marking mounting holes using a pencil. Use of a level and stud finder is highly recommended. Drill marked locations 1.2" (30mm) deep using a 15/64" (6mm) drill bit. Press Concrete Anchors **(W-B)** into the drilled holes. Install Mount **(A)** to wall using ST4.2x25mm Screws **(W-A)** and a Phillips screwdriver.

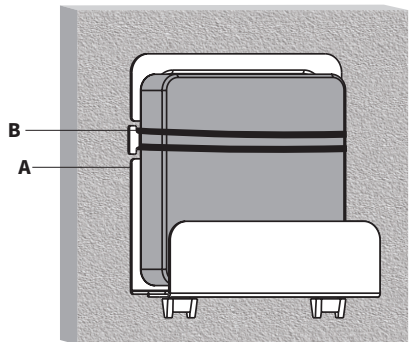


STEP 2

Place your device in Mount **(A)** and adjust the bracket depth by loosening underside Wing Nuts **(A1)** and sliding the bracket towards the device. Tighten Wing Nuts **(A1)** once the device is snug.



Wrap Elastic Band **(B)** around your device and secure around the tabs on either side of Mount **(A)**.





Open **Monday - Friday 7:00am - 7:00pm** CST,
our dedicated support team can offer immediate assistance with rapid response times. If any parts are received damaged or defective, please contact us. We are happy to replace parts to ensure you have a fully functioning product.



309-278-5303

AVG. RESOLUTION TIME *(within office hrs):* **5M 4S**



www.vivo-us.com
Chat live with an agent!

AVG. RESOLUTION TIME *(within office hrs):* **< 15 M**



help@vivo-us.com

AVG. RESPONSE TIME *(within office hrs):* **1HR 8M**
- 23% within < 15m
- 38% within < 30m
- 61% within < 1hr
- 83% within < 2hr
- 92% within < 3hr